



# Cable ladders

Cable ladders	C03-C06
Fittings	C07-C12
Cover	C13-C14
Accessories	C15-C21



C

# Numeric index

## Cable ladders

### E

**EL** Fiber cement plate [C20](#)

---

### K

**KZF** cold zinc paint [C21](#)

**KZS** cold zinc spray [C21](#)

---

### L

**LAD** cable ladder branch-piece cover [C14](#)

**LD** cable ladder cover [C13](#)

**LDR** cable ladder cover with turning bolt [C13](#)

**LD-SW** storm protection angle [C14](#)

**LGA 100** cable ladder branch-piece, height=100 mm

[C10](#)

**LGA 60** cable ladder branch-piece, height=60 mm [C10](#)

**LGAB 100** cable ladder outside bend, height=100 mm

[C08](#)

**LGAB 60** cable ladder outside bend, height=60 mm

[C08](#)

**LGG 100** cable ladder [C05](#)

**LGG 60** cable ladder [C03](#)

**LGGS 100** cable ladder [C06](#)

**LGGS 60** cable ladder [C04](#)

**LGHS-P** flange mounting clamp [C18](#)

**LGIB 100** cable ladder inside bend, height=100 mm

[C07](#)

**LGIB 60** cable ladder inside bend, height=60 mm [C07](#)

**LGK 100** cable ladder cross-piece, height=100 mm

[C12](#)

**LGK 60** cable ladder cross-piece, height=60 mm [C11](#)

**LGKAB** end plate, cable ladder [C19](#)

**LGTR 100** cable ladder barrier strip, height=80 mm [C18](#)

**LGTR 60** cable ladder barrier strip, height=33 mm [C17](#)

**LGV 100** cable ladder coupler, height=100 mm [C15](#)

**LGV 60** cable ladder coupler, height=60 mm [C15](#)

**LGVB 100** cable ladder vertical bend, height=100 mm

[C09](#)

**LGVB 60** cable ladder vertical bend, height=60 mm [C09](#)

**LGVB 100** cable ladder coupler, height=100 mm [C16](#)

**LGVB 60** cable ladder coupler, height=60 mm [C15](#)

**LGVV 100** cable ladder coupler, height=100 mm [C17](#)

**LGVV 60** cable ladder coupler, height=60 mm [C16](#)

---

### M

**MP-L** assembly plate [C20](#)

---

### S

**SL 100** protection end cap [C20](#)

**SL 60** protection end cap [C20](#)

# Cable ladders

## LGG 60 cable ladder, height=60 mm

This article is also available made in stainless steel finish, material No. 1.4571 / 1.4404 (V4A).

For a load diagram, see the chapter planning.

For an application example, see the chapter assembly.



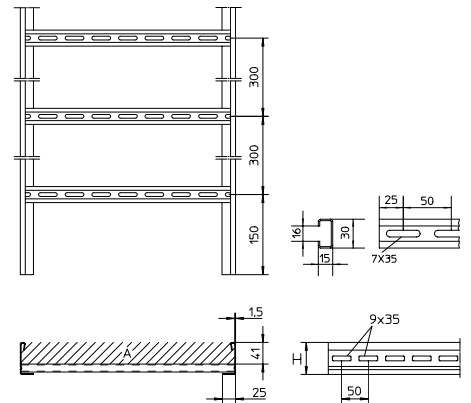
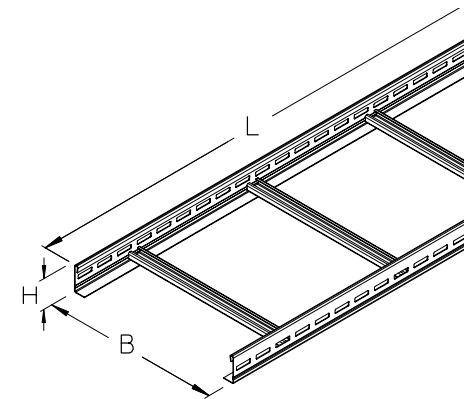
article number	H mm	B mm	L mm	A cm <sup>2</sup>	Q <sub>Lk</sub> kN/m	P <sub>max</sub> kN	G kg
<b>S</b>							
LGG 60-20-3S	60	200	3000	81	0,23	1,5	7,92
LGG 60-30-3S	60	300	3000	122	0,34	1,5	8,61
LGG 60-40-3S	60	400	3000	162	0,45	1,5	9,30
LGG 60-50-3S	60	500	3000	203	0,57	1,5	9,98
LGG 60-60-3S	60	600	3000	243	0,68	1,5	10,67
LGG 60-20S	60	200	6000	81	0,23	1,5	15,84
LGG 60-30S	60	300	6000	122	0,34	1,5	17,22
LGG 60-40S	60	400	6000	162	0,45	1,5	18,59
LGG 60-50S	60	500	6000	203	0,57	1,5	19,96
LGG 60-60S	60	600	6000	243	0,68	1,5	21,34

<b>F</b>							
LGG 60-20-3F	60	200	3000	81	0,23	1,5	8,48
LGG 60-30-3F	60	300	3000	122	0,34	1,5	9,21
LGG 60-40-3F	60	400	3000	162	0,45	1,5	9,95
LGG 60-50-3F	60	500	3000	203	0,57	1,5	10,68
LGG 60-60-3F	60	600	3000	243	0,68	1,5	11,42
LGG 60-20F	60	200	6000	81	0,23	1,5	16,95
LGG 60-30F	60	300	6000	122	0,34	1,5	18,42
LGG 60-40F	60	400	6000	162	0,45	1,5	19,89
LGG 60-50F	60	500	6000	203	0,57	1,5	21,36
LGG 60-60F	60	600	6000	243	0,68	1,5	22,83

<b>E</b>							
LGG 60-20-3E	60	200	3000	81	0,23	1,5	7,97
LGG 60-30-3E	60	300	3000	122	0,34	1,5	8,66
LGG 60-40-3E	60	400	3000	162	0,45	1,5	9,35
LGG 60-50-3E	60	500	3000	203	0,57	1,5	10,05
LGG 60-60-3E	60	600	3000	243	0,68	1,5	10,74
LGG 60-20E	60	200	6000	81	0,23	1,5	15,95
LGG 60-30E	60	300	6000	122	0,34	1,5	17,33
LGG 60-40E	60	400	6000	162	0,45	1,5	18,71
LGG 60-50E	60	500	6000	203	0,57	1,5	20,09
LGG 60-60E	60	600	6000	243	0,68	1,5	21,47

accessories optional:

<b>LGV 60</b>	cable ladder coupler, height=60 mm	(page C15)
<b>LGHS-P</b>	flange mounting clamp	(page C18)
<b>LGVB 60</b>	cable ladder coupler, height=60 mm	(page C15)
<b>LGVV 60</b>	cable ladder coupler, height=60 mm	(page C16)
<b>LGTR 60</b>	cable ladder barrier strip, height=33 mm	(page C17)
<b>SL 60</b>	protection end cap	(page C20)
<b>KLU</b>	fixing set	(page G07)
<b>H</b>	cable clamp for fastening to C-profiles	(catalogue cable clamps)
<b>LGIB 60</b>	cable ladder inside bend, height=60 mm	(page C07)
<b>LGAB 60</b>	cable ladder outside bend, height=60 mm	(page C08)
<b>LGVB 60</b>	cable ladder vertical bend, height=60 mm	(page C09)
<b>LGA 60</b>	cable ladder branch-piece, height=60 mm	(page C10)
<b>LGKAB</b>	end plate, cable ladder	(page C19)
<b>LGK 60</b>	cable ladder cross-piece, height=60 mm	(page C11)



# Cable ladders

## LGGS 60 cable ladder, heavy, height=60 mm

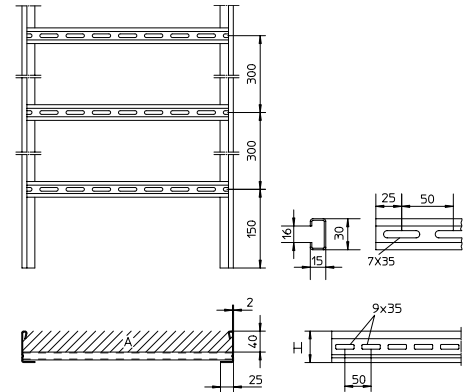
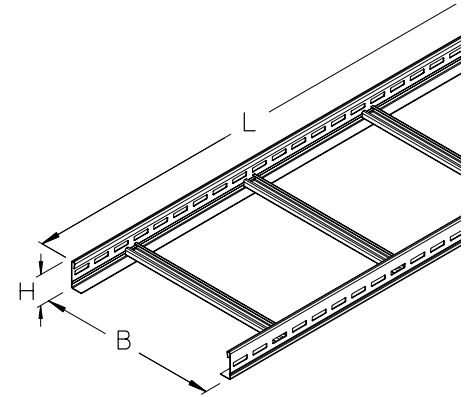
This article is also available made in stainless steel finish, material No. 1.4571 / 1.4404 (V4A).  
For a load diagram, see the chapter planning.  
For an application example, see the chapter assembly.



article number	H mm	B mm	L mm	A cm <sup>2</sup>	Q <sub>LK</sub> kN/m	G kg
<b>S</b>						
LGGS 60-20-3S	60	200	3000	81	0,23	10,41
LGGS 60-30-3S	60	300	3000	122	0,34	11,29
LGGS 60-40-3S	60	400	3000	162	0,45	12,17
LGGS 60-50-3S	60	500	3000	203	0,57	13,06
LGGS 60-60-3S	60	600	3000	243	0,68	13,94
LGGS 60-20S	60	200	6000	81	0,23	20,81
LGGS 60-30S	60	300	6000	122	0,34	22,58
LGGS 60-40S	60	400	6000	162	0,45	24,35
LGGS 60-50S	60	500	6000	203	0,57	26,12
LGGS 60-60S	60	600	6000	243	0,68	27,89
<b>F</b>						
LGGS 60-20-3F	60	200	3000	81	0,23	11,13
LGGS 60-30-3F	60	300	3000	122	0,34	12,08
LGGS 60-40-3F	60	400	3000	162	0,45	13,03
LGGS 60-50-3F	60	500	3000	203	0,57	13,97
LGGS 60-60-3F	60	600	3000	243	0,68	14,92
LGGS 60-20F	60	200	6000	81	0,23	22,27
LGGS 60-30F	60	300	6000	122	0,34	24,16
LGGS 60-40F	60	400	6000	162	0,45	26,05
LGGS 60-50F	60	500	6000	203	0,57	27,95
LGGS 60-60F	60	600	6000	243	0,68	29,84

accessories optional:

<b>LGIB 60</b>	cable ladder inside bend, height=60 mm	(page C07)
<b>LGAB 60</b>	cable ladder outside bend, height=60 mm	(page C08)
<b>LGVB 60</b>	cable ladder vertical bend, height=60 mm	(page C09)
<b>LGA 60</b>	cable ladder branch-piece, height=60 mm	(page C10)
<b>LGK 60</b>	cable ladder cross-piece, height=60 mm	(page C11)
<b>LGV 60</b>	cable ladder coupler, height=60 mm	(page C15)
<b>LGVH 60</b>	cable ladder coupler, height=60 mm	(page C15)
<b>LGVV 60</b>	cable ladder coupler, height=60 mm	(page C16)
<b>LGTR 60</b>	cable ladder barrier strip, height=33 mm	(page C17)
<b>SL 60</b>	protection end cap	(page C20)
<b>LGKAB</b>	end plate, cable ladder	(page C19)
<b>KLU</b>	fixing set	(page G07)
<b>H</b>	cable clamp for fastening to C-profiles	(catalogue cable clamps)



# Cable ladders

## LGG 100 cable ladder, height=100 mm

This article is also available made in stainless steel finish, material No. 1.4571 / 1.4404 (V4A).  
 For a load diagram, see the chapter planning.  
 For an application example, see the chapter assembly.



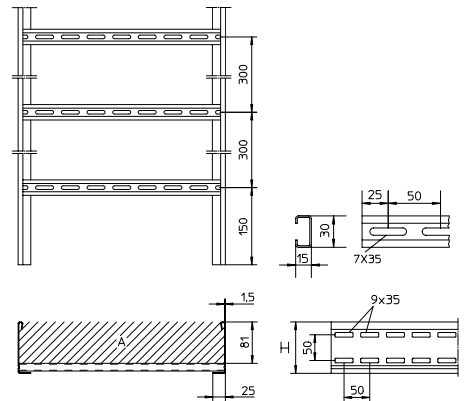
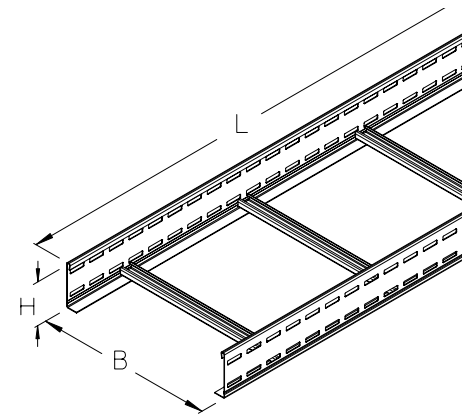
article number	H mm	B mm	L mm	A cm <sup>2</sup>	Q <sub>LK</sub> kN/m	G kg
<b>S</b>						
LGG 100-20-3S	100	200	3000	161	0,45	10,37
LGG 100-30-3S	100	300	3000	242	0,68	11,06
LGG 100-40-3S	100	400	3000	322	0,90	11,75
LGG 100-50-3S	100	500	3000	403	1,13	12,43
LGG 100-60-3S	100	600	3000	483	1,35	13,12
LGG 100-20S	100	200	6000	161	0,45	20,75
LGG 100-30S	100	300	6000	242	0,68	22,12
LGG 100-40S	100	400	6000	322	0,90	23,49
LGG 100-50S	100	500	6000	403	1,13	24,87
LGG 100-60S	100	600	6000	483	1,35	26,24

<b>F</b>						
LGG 100-20-3F	100	200	3000	161	0,45	11,10
LGG 100-30-3F	100	300	3000	242	0,68	11,83
LGG 100-40-3F	100	400	3000	322	0,90	12,57
LGG 100-50-3F	100	500	3000	403	1,13	13,30
LGG 100-60-3F	100	600	3000	483	1,35	14,04
LGG 100-20F	100	200	6000	161	0,45	22,20
LGG 100-30F	100	300	6000	242	0,68	23,67
LGG 100-40F	100	400	6000	322	0,90	25,14
LGG 100-50F	100	500	6000	403	1,13	26,61
LGG 100-60F	100	600	6000	483	1,35	28,08

<b>E</b>						
LGG 100-20-3E	100	200	3000	161	0,45	10,44
LGG 100-30-3E	100	300	3000	242	0,68	11,13
LGG 100-40-3E	100	400	3000	322	0,90	11,82
LGG 100-50-3E	100	500	3000	403	1,13	12,51
LGG 100-60-3E	100	600	3000	483	1,35	13,20
LGG 100-20E	100	200	6000	161	0,45	20,88
LGG 100-30E	100	300	6000	242	0,68	22,26
LGG 100-40E	100	400	6000	322	0,90	23,64
LGG 100-50E	100	500	6000	403	1,13	25,03
LGG 100-60E	100	600	6000	483	1,35	26,41

accessories optional:

<b>LGHS-P</b>	flange mounting clamp	(page C18)
<b>LGIB 100</b>	cable ladder inside bend, height=100 mm	(page C07)
<b>LGAB 100</b>	cable ladder outside bend, height=100 mm	(page C08)
<b>LGVB 100</b>	cable ladder vertical bend, height=100 mm	(page C09)
<b>LGA 100</b>	cable ladder branch-piece, height=100 mm	(page C10)
<b>LGK 100</b>	cable ladder cross-piece, height=100 mm	(page C12)
<b>LGCV 100</b>	cable ladder coupler, height=100 mm	(page C15)
<b>LGVB 100</b>	cable ladder coupler, height=100 mm	(page C16)
<b>LGVB 100</b>	cable ladder coupler, height=100 mm	(page C17)
<b>LGTR 100</b>	cable ladder barrier strip, height=80 mm	(page C18)
<b>SL 100</b>	protection end cap	(page C20)
<b>LGKAB</b>	end plate, cable ladder	(page C19)
<b>KLU</b>	fixing set	(page G07)
<b>H</b>	cable clamp for fastening to C-profiles	(catalogue cable clamps)



# Cable ladders

## LGGS 100 cable ladder, heavy, height=100 mm

For a load diagram, see the chapter planning.

For an application example, see the chapter assembly.

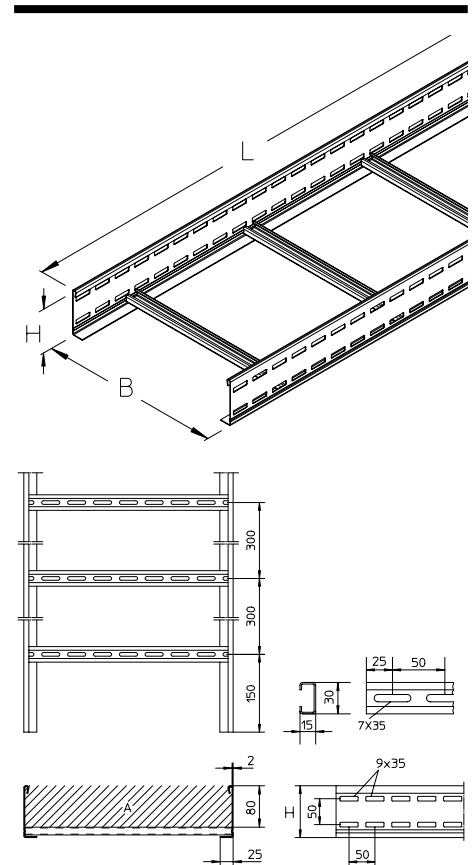


article number	H mm	B mm	L mm	A cm <sup>2</sup>	Q <sub>LK</sub> kN/m	G kg
<b>S</b>						
LGGS 100-20-3S	100	200	3000	161	0,45	13,58
LGGS 100-30-3S	100	300	3000	242	0,68	14,46
LGGS 100-40-3S	100	400	3000	322	0,90	15,35
LGGS 100-50-3S	100	500	3000	403	1,13	16,23
LGGS 100-60-3S	100	600	3000	483	1,35	17,12
LGGS 100-20S	100	200	6000	161	0,45	27,16
LGGS 100-30S	100	300	6000	242	0,68	28,93
LGGS 100-40S	100	400	6000	322	0,90	30,70
LGGS 100-50S	100	500	6000	403	1,13	32,47
LGGS 100-60S	100	600	6000	483	1,35	34,23

<b>F</b>						
LGGS 100-20-3F	100	200	3000	161	0,45	14,53
LGGS 100-30-3F	100	300	3000	242	0,68	15,48
LGGS 100-40-3F	100	400	3000	322	0,90	16,42
LGGS 100-50-3F	100	500	3000	403	1,13	17,37
LGGS 100-60-3F	100	600	3000	483	1,35	18,32
LGGS 100-20F	100	200	6000	161	0,45	29,06
LGGS 100-30F	100	300	6000	242	0,68	30,95
LGGS 100-40F	100	400	6000	322	0,90	32,85
LGGS 100-50F	100	500	6000	403	1,13	34,74
LGGS 100-60F	100	600	6000	483	1,35	36,63

accessories optional:

<b>LGIB 100</b>	cable ladder inside bend, height=100 mm	(page C07)
<b>LGAB 100</b>	cable ladder outside bend, height=100 mm	(page C08)
<b>LGVB 100</b>	cable ladder vertical bend, height=100 mm	(page C09)
<b>LGA 100</b>	cable ladder branch-piece, height=100 mm	(page C10)
<b>LGK 100</b>	cable ladder cross-piece, height=100 mm	(page C12)
<b>LGV 100</b>	cable ladder coupler, height=100 mm	(page C15)
<b>LGVBH 100</b>	cable ladder coupler, height=100 mm	(page C16)
<b>LGVV 100</b>	cable ladder coupler, height=100 mm	(page C17)
<b>LGTR 100</b>	cable ladder barrier strip, height=80 mm	(page C18)
<b>SL 100</b>	protection end cap	(page C20)
<b>LGKAB</b>	end plate, cable ladder	(page C19)
<b>KLU</b>	fixing set	(page G07)
<b>H</b>	cable clamp for fastening to C-profiles	(catalogue cable clamps)



# Cable ladders

## Fittings

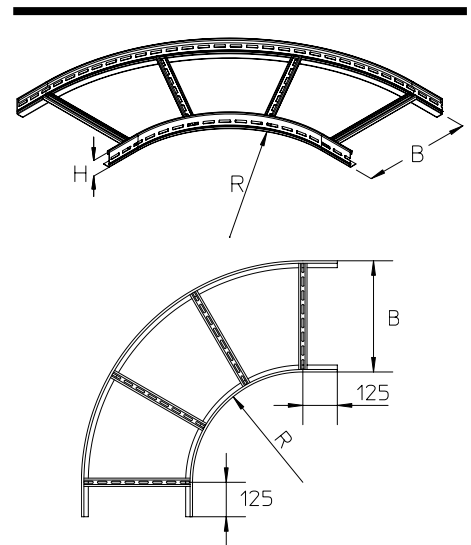
### LGIB 60 cable ladder inside bend, height=60 mm

This article is also available made in stainless steel finish, material No. 1.4571 / 1.4404 (V4A).  
For an application example, see the chapter assembly.

article number	H mm	B mm	R mm	G kg
<b>F</b>				
LGIB 60-20F	60	200	400	3,00
LGIB 60-30F	60	300	400	3,47
LGIB 60-40F	60	400	400	3,95
LGIB 60-50F	60	500	400	5,16
LGIB 60-60F	60	600	400	5,78
<b>E</b>				
LGIB 60-20E	60	200	400	2,82
LGIB 60-30E	60	300	400	3,27
LGIB 60-40E	60	400	400	3,72
LGIB 60-50E	60	500	400	4,85
LGIB 60-60E	60	600	400	5,44

accessories optional:

<b>LGV 60</b>	cable ladder coupler, height=60 mm	(page C15)
<b>LGVH 60</b>	cable ladder coupler, height=60 mm	(page C15)
<b>LGVV 60</b>	cable ladder coupler, height=60 mm	(page C16)
<b>KLU</b>	fixing set	(page G07)



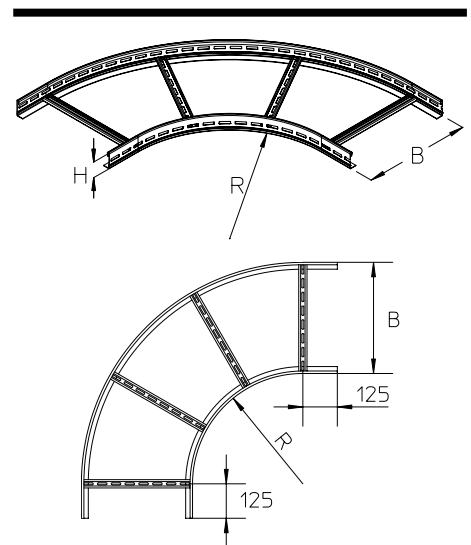
### LGIB 100 cable ladder inside bend, height=100 mm

For an application example, see the chapter assembly.

article number	H mm	B mm	R mm	G kg
<b>F</b>				
LGIB 100-20F	100	200	400	3,90
LGIB 100-30F	100	300	400	4,45
LGIB 100-40F	100	400	400	4,99
LGIB 100-50F	100	500	400	6,27
LGIB 100-60F	100	600	400	6,96
<b>E</b>				
LGIB 100-20E	100	200	400	3,67
LGIB 100-30E	100	300	400	4,18
LGIB 100-40E	100	400	400	4,70
LGIB 100-50E	100	500	400	5,90
LGIB 100-60E	100	600	400	6,55

accessories optional:

<b>LGV 100</b>	cable ladder coupler, height=100 mm	(page C15)
<b>LGVH 100</b>	cable ladder coupler, height=100 mm	(page C16)
<b>LGVV 100</b>	cable ladder coupler, height=100 mm	(page C17)
<b>KLU</b>	fixing set	(page G07)





# Cable ladders

## Fittings

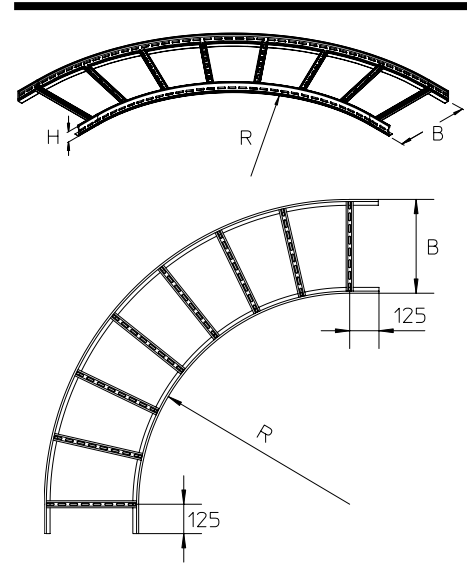
### LGAB 60 cable ladder outside bend, height=60 mm

This article is also available made in stainless steel finish, material No. 1.4571 / 1.4404 (V4A).  
For an application example, see the chapter assembly.

article number	H mm	B mm	R mm	G kg
<b>F</b>				
LGAB 60-20F	60	200	700	4,39
LGAB 60-30F	60	300	800	5,38
LGAB 60-40F	60	400	900	6,95
LGAB 60-50F	60	500	1000	8,09
LGAB 60-60F	60	600	1100	9,23
<b>E</b>				
LGAB 60-20E	60	200	700	4,13
LGAB 60-30E	60	300	800	5,06
LGAB 60-40E	60	400	900	6,54
LGAB 60-50E	60	500	1000	7,61
LGAB 60-60E	60	600	1100	8,68

accessories optional:

<b>LGV 60</b>	cable ladder coupler, height=60 mm	(page C15)
<b>LGVH 60</b>	cable ladder coupler, height=60 mm	(page C15)
<b>LGVV 60</b>	cable ladder coupler, height=60 mm	(page C16)
<b>KLU</b>	fixing set	(page G07)



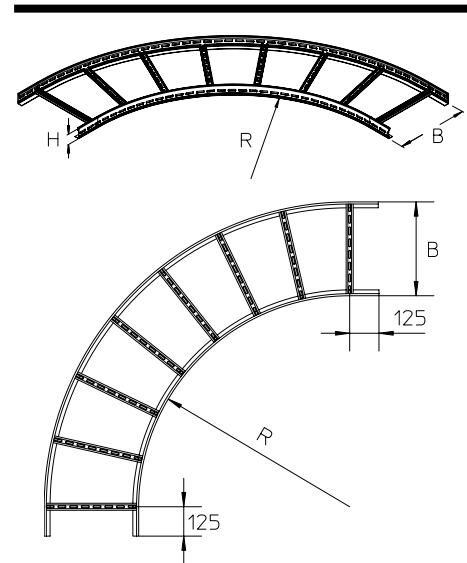
### LGAB 100 cable ladder outside bend, height=100 mm

For an application example, see the chapter assembly.

article number	H mm	B mm	R mm	G kg
<b>F</b>				
LGAB 100-20F	100	200	700	5,71
LGAB 100-30F	100	300	800	6,90
LGAB 100-40F	100	400	900	8,68
LGAB 100-50F	100	500	1000	10,03
LGAB 100-60F	100	600	1100	11,37
<b>E</b>				
LGAB 100-20E	100	200	700	5,37
LGAB 100-30E	100	300	800	6,49
LGAB 100-40E	100	400	900	8,17
LGAB 100-50E	100	500	1000	9,43
LGAB 100-60E	100	600	1100	10,69

accessories optional:

<b>LGV 100</b>	cable ladder coupler, height=100 mm	(page C15)
<b>LGVH 100</b>	cable ladder coupler, height=100 mm	(page C16)
<b>LGVV 100</b>	cable ladder coupler, height=100 mm	(page C17)
<b>KLU</b>	fixing set	(page G07)



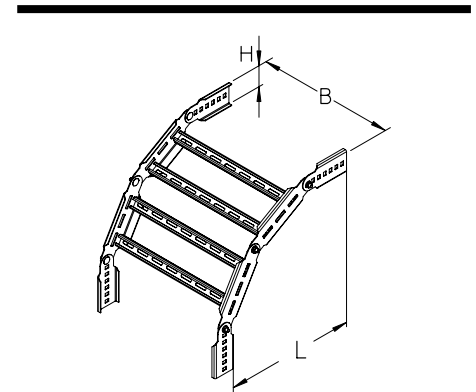
# Cable ladders

## Fittings

### LGVB 60 cable ladder vertical bend, height=60 mm

This article is also available made in stainless steel finish, material No. 1.4571 / 1.4404 (V4A).  
For an application example, see the chapter assembly.

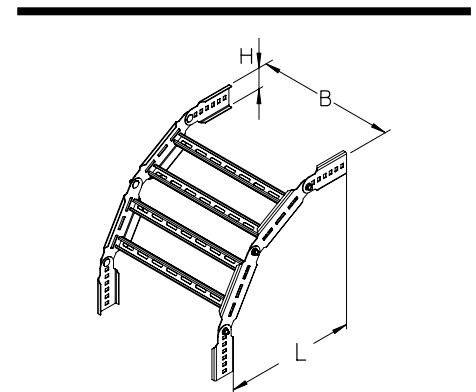
article number	H mm	B mm	L mm	G kg
<b>F</b>				
LGVB 60-20F	60	200	350	2,26
LGVB 60-30F	60	300	350	2,55
LGVB 60-40F	60	400	350	2,85
LGVB 60-50F	60	500	350	3,14
LGVB 60-60F	60	600	350	3,44
<b>E</b>				
LGVB 60-20E	60	200	350	2,13
LGVB 60-30E	60	300	350	2,40
LGVB 60-40E	60	400	350	2,68
LGVB 60-50E	60	500	350	2,95
LGVB 60-60E	60	600	350	3,23



### LGVB 100 cable ladder vertical bend, height=100 mm

For an application example, see the chapter assembly.

article number	H mm	B mm	L mm	G kg
<b>F</b>				
LGVB 100-20F	100	200	350	2,96
LGVB 100-30F	100	300	350	3,26
LGVB 100-40F	100	400	350	3,55
LGVB 100-50F	100	500	350	3,85
LGVB 100-60F	100	600	350	4,14
<b>E</b>				
LGVB 100-20E	100	200	350	2,79
LGVB 100-30E	100	300	350	3,06
LGVB 100-40E	100	400	350	3,34
LGVB 100-50E	100	500	350	3,62
LGVB 100-60E	100	600	350	3,89



# Cable ladders

## Fittings

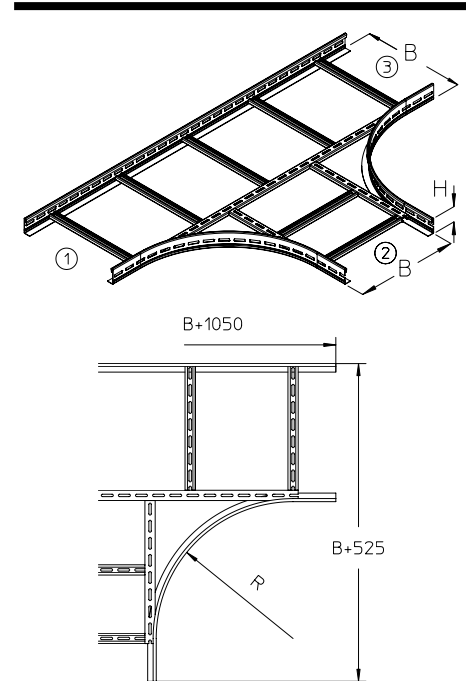
### LGA 60 cable ladder branch-piece, height=60 mm

This article is also available made in stainless steel finish, material No. 1.4571 / 1.4404 (V4A).  
For an application example, see the chapter assembly.

article number	H mm	B mm	R mm	G kg
<b>F</b>				
LGA 60-20F	60	200	400	4,69
LGA 60-30F	60	300	400	5,39
LGA 60-40F	60	400	400	6,10
LGA 60-50F	60	500	400	6,80
LGA 60-60F	60	600	400	7,51
<b>E</b>				
LGA 60-20E	60	200	400	4,41
LGA 60-30E	60	300	400	5,07
LGA 60-40E	60	400	400	5,74
LGA 60-50E	60	500	400	6,40
LGA 60-60E	60	600	400	7,06

accessories optional:

<b>LGV 60</b>	cable ladder coupler, height=60 mm	(page C15)
<b>LGVH 60</b>	cable ladder coupler, height=60 mm	(page C15)
<b>LGVV 60</b>	cable ladder coupler, height=60 mm	(page C16)
<b>KLU</b>	fixing set	(page G07)



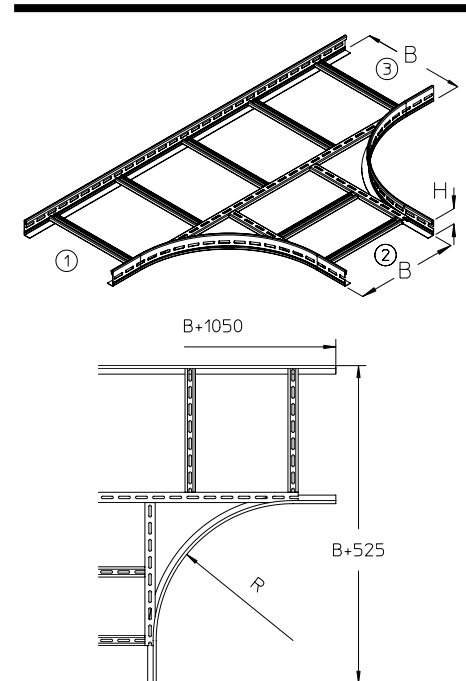
### LGA 100 cable ladder branch-piece, height=100 mm

For an application example, see the chapter assembly.

article number	H mm	B mm	R mm	G kg
<b>F</b>				
LGA 100-20F	100	200	400	5,62
LGA 100-30F	100	300	400	6,37
LGA 100-40F	100	400	400	7,12
LGA 100-50F	100	500	400	7,86
LGA 100-60F	100	600	400	8,61
<b>E</b>				
LGA 100-20E	100	200	400	5,28
LGA 100-30E	100	300	400	5,99
LGA 100-40E	100	400	400	6,69
LGA 100-50E	100	500	400	7,40
LGA 100-60E	100	600	400	8,10

accessories optional:

<b>LGV 100</b>	cable ladder coupler, height=100 mm	(page C15)
<b>LGVH 100</b>	cable ladder coupler, height=100 mm	(page C16)
<b>LGVV 100</b>	cable ladder coupler, height=100 mm	(page C17)
<b>KLU</b>	fixing set	(page G07)



# Cable ladders

## Fittings

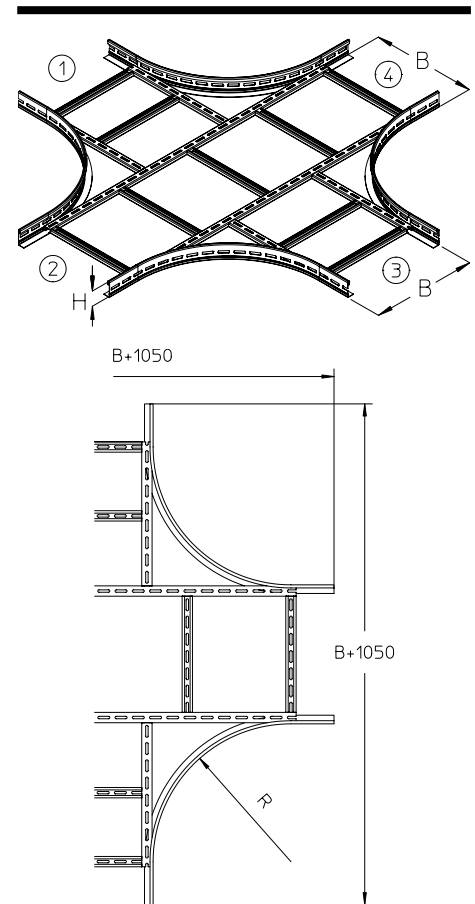
### LGK 60 cable ladder cross-piece, height=60 mm

This article is also available made in stainless steel finish, material No. 1.4571 / 1.4404 (V4A).

article number	H mm	B mm	R mm	G kg
<b>F</b>				
LGK 60-20F	60	200	400	7,78
LGK 60-30F	60	300	400	8,59
LGK 60-40F	60	400	400	9,40
LGK 60-50F	60	500	400	10,21
LGK 60-60F	60	600	400	11,02
<b>E</b>				
LGK 60-20E	60	200	400	7,32
LGK 60-30E	60	300	400	8,08
LGK 60-40E	60	400	400	8,84
LGK 60-50E	60	500	400	9,60
LGK 60-60E	60	600	400	10,36

accessories optional:

<b>LGV 60</b>	cable ladder coupler, height=60 mm	(page C15)
<b>LGVH 60</b>	cable ladder coupler, height=60 mm	(page C15)
<b>LGKV 60</b>	cable ladder coupler, height=60 mm	(page C16)
<b>KLU</b>	fixing set	(page G07)



# Cable ladders

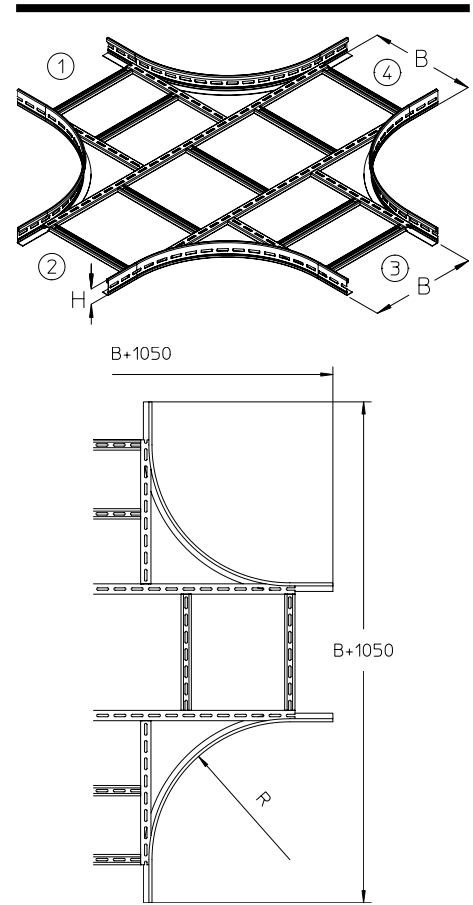
## Fittings

### LGK 100 cable ladder cross-piece, height=100 mm

article number	H mm	B mm	R mm	G kg
<b>F</b>				
LGK 100-20F	100	200	400	9,32
LGK 100-30F	100	300	400	10,13
LGK 100-40F	100	400	400	10,94
LGK 100-50F	100	500	400	11,74
LGK 100-60F	100	600	400	12,55
<b>E</b>				
LGK 100-20E	100	200	400	8,77
LGK 100-30E	100	300	400	9,53
LGK 100-40E	100	400	400	10,29
LGK 100-50E	100	500	400	11,05
LGK 100-60E	100	600	400	11,81

accessories optional:

<b>LGK 100</b>	cable ladder coupler, height=100 mm	(page C15)
<b>LGK 100</b>	cable ladder coupler, height=100 mm	(page C16)
<b>LGK 100</b>	cable ladder coupler, height=100 mm	(page C17)
<b>KLU</b>	fixing set	(page G07)



# Cable ladders

## Cover

### LD cable ladder cover

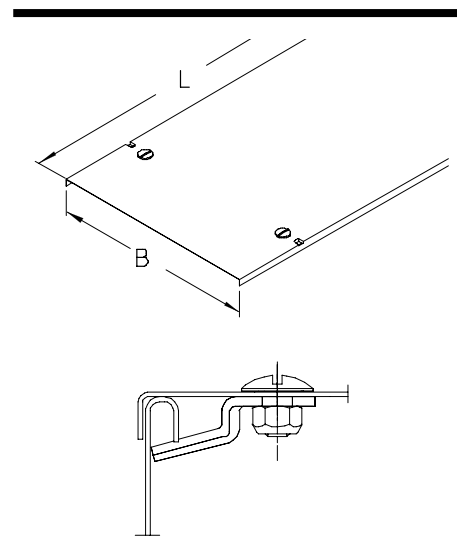
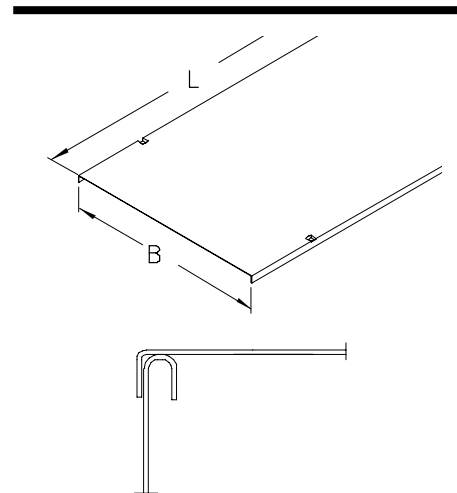
This article is also available made in stainless steel finish, material No. 1.4571 / 1.4404 (V4A).

article number	B mm	L mm	G kg
<b>S</b>			
LD 20S	206	3000	4,10
LD 30S	306	3000	7,80
LD 40S	406	3000	10,10
LD 50S	506	3000	15,60
LD 60S	606	3000	18,50
<b>F</b>			
LD 20F	206	3000	4,70
LD 30F	306	3000	8,60
LD 40F	406	3000	11,20
LD 50F	506	3000	17,00
LD 60F	606	3000	20,30
<b>E</b>			
LD 20E	206	3000	4,40
LD 30E	306	3000	7,80
LD 40E	406	3000	10,20
LD 50E	506	3000	15,10
LD 60E	606	3000	17,60

### LDR cable ladder cover with turning bolt

Installation of covers in outdoor areas requires additional provisions against storm forces. Turning bolts are in no case sufficient as security provision. This article is also available made in stainless steel finish, material No. 1.4571 / 1.4404 (V4A).

article number	B mm	L mm	G kg
<b>S</b>			
LDR 20S	206	3000	4,10
LDR 30S	306	3000	7,80
LDR 40S	406	3000	10,10
LDR 50S	506	3000	15,60
LDR 60S	606	3000	18,50
<b>F</b>			
LDR 20F	206	3000	4,70
LDR 30F	306	3000	8,60
LDR 40F	406	3000	11,20
LDR 50F	506	3000	17,00
LDR 60F	606	3000	20,30
<b>E</b>			
LDR 20E	206	3000	4,40
LDR 30E	306	3000	7,80
LDR 40E	406	3000	10,20
LDR 50E	506	3000	15,10
LDR 60E	606	3000	17,60



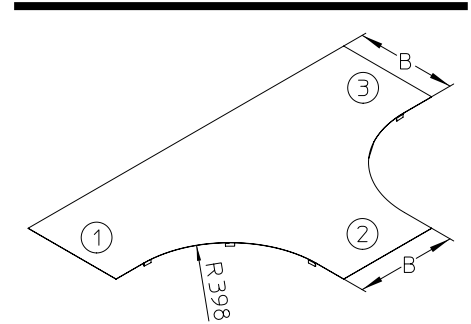
# Cable ladders

## Cover

### LAD cable ladder branch-piece cover

This article is also available made in stainless steel finish, material No. 1.4571 / 1.4404 (V4A).  
For an application example, see the chapter assembly.

article number	B mm	R mm	t mm	G kg
<b>S</b>				
LAD 20S	204	398	0,75	2,67
LAD 30S	304	398	1,00	5,14
LAD 40S	404	398	1,00	6,93
LAD 50S	504	398	1,25	11,06
LAD 60S	604	398	1,25	13,68
<b>F</b>				
LAD 20F	204	398	0,75	2,86
LAD 30F	304	398	1,00	5,50
LAD 40F	404	398	1,00	7,42
LAD 50F	504	398	1,25	11,83
LAD 60F	604	398	1,25	14,64



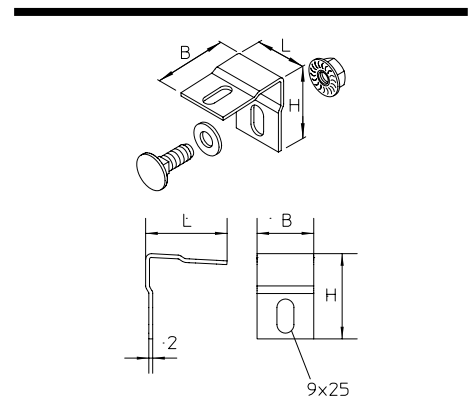
### LD-SW storm protection angle

Storm protection angles, suitable for outdoor use. According to assembly instructions you should use at least 6 safety elements for each 3 meters cable path cover.  
For an application example, see the chapter assembly.

article number	H mm	B mm	L mm	t mm	G kg
<b>F</b>					
LD-SW F	46	30	30	2	0,15
<b>E</b>					
LD-SW E	46	30	30	2	0,15

accessories included:

- 1 x **KLS 8x16E** fixing set (page G34)
- 1 x **UVS M8** captive washer (page G40)



# Cable ladders

## Accessories

### LGV 60 cable ladder coupler, height=60 mm

This article is also available made in stainless steel finish, material No. 1.4571 / 1.4404 (V4A).  
For an application example, see the chapter assembly.

article number	H mm	B mm	G kg
<b>S</b>			
<b>LGV 60S</b>	60	150	0,22

accessories included:  
2 x **KLS 8x16** fixing set (page G33)

article number	H mm	B mm	G kg
<b>F</b>			
<b>LGV 60F</b>	60	150	0,23

article number	H mm	B mm	G kg
<b>E</b>			
<b>LGV 60E</b>	60	150	0,22

accessories included:  
2 x **KLS 8x16E** fixing set (page G34)

### LGV 100 cable ladder coupler, height=100 mm

For an application example, see the chapter assembly.

article number	H mm	B mm	G kg
<b>S</b>			
<b>LGV 100S</b>	100	220	0,41

accessories included:  
4 x **KLS 8x16** fixing set (page G33)

article number	H mm	B mm	G kg
<b>F</b>			
<b>LGV 100F</b>	100	220	0,42

article number	H mm	B mm	G kg
<b>E</b>			
<b>LGV 100E</b>	100	220	0,41

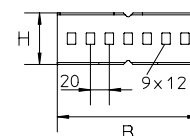
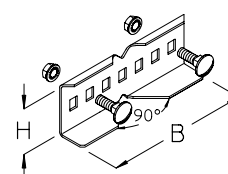
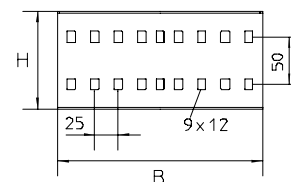
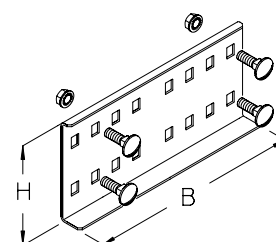
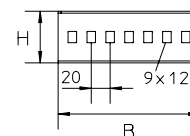
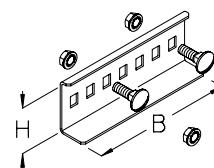
accessories included:  
4 x **KLS 8x16E** fixing set (page G34)

### LGVH 60 cable ladder coupler, height=60 mm

This article is also available made in stainless steel finish, material No. 1.4571 / 1.4404 (V4A).  
For an application example, see the chapter assembly.

article number	H mm	B mm	G kg
<b>S</b>			
<b>LGVH 60S</b>	60	150	0,20

accessories included:  
2 x **KLS 8x16** fixing set (page G33)





# Cable ladders

## Accessories

### LGVH 60 cable ladder coupler, height=60 mm

This article is also available made in stainless steel finish, material No. 1.4571 / 1.4404 (V4A).  
For an application example, see the chapter assembly.

article number	H mm	B mm	G kg
<b>F</b>			
<b>LGVH 60F</b>	60	150	0,22
<b>E</b>			
<b>LGVH 60E</b>	60	150	0,20

accessories included:  
2 x **KLS 8x16E** fixing set (page G34)

### LGVH 100 cable ladder coupler, height=100 mm

article number	H mm	B mm	G kg
<b>S</b>			
<b>LGVH 100S</b>	100	220	0,41

accessories included:  
4 x **KLS 8x16** fixing set (page G33)

article number	H mm	B mm	G kg
<b>F</b>			
<b>LGVH 100F</b>	100	220	0,42
<b>E</b>			
<b>LGVH 100E</b>	100	220	0,41

accessories included:  
4 x **KLS 8x16E** fixing set (page G34)

### LGVV 60 cable ladder coupler, height=60 mm

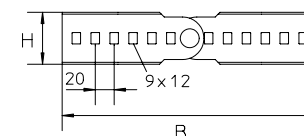
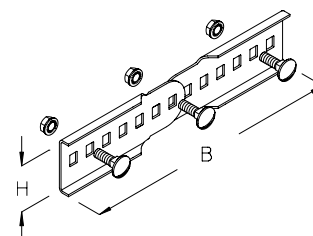
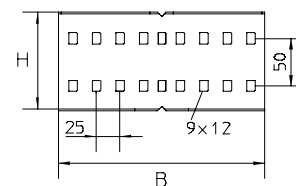
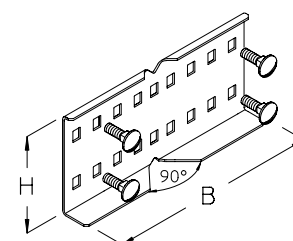
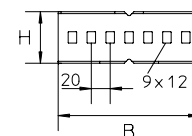
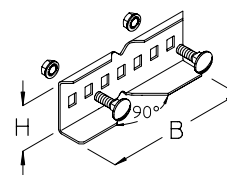
This article is also available made in stainless steel finish, material No. 1.4571 / 1.4404 (V4A).  
For an application example, see the chapter assembly.

article number	H mm	B mm	G kg
<b>S</b>			
<b>LGVV 60S</b>	60	270	0,39

accessories included:  
3 x **KLS 8x16** fixing set (page G33)

article number	H mm	B mm	G kg
<b>F</b>			
<b>LGVV 60F</b>	60	270	0,42
<b>E</b>			
<b>LGVV 60E</b>	60	270	0,39

accessories included:  
3 x **KLS 8x16E** fixing set (page G34)



# Cable ladders

## Accessories

### LGVV 100 cable ladder coupler, height=100 mm

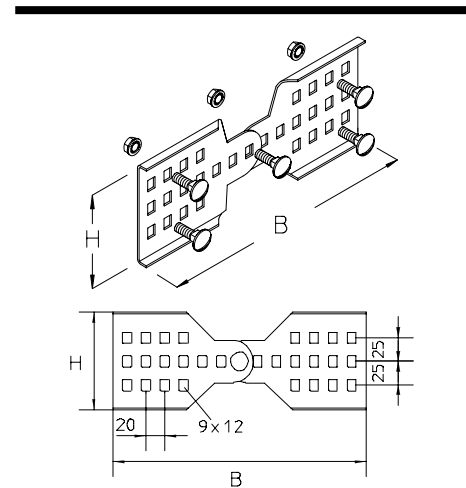
article number	H mm	B mm	G kg
<b>S</b>			
<b>LGVV 100S</b>	100	270	0,61

accessories included:  
5 x **KLS 8x16** fixing set (page G33)

article number	H mm	B mm	G kg
<b>F</b>			
<b>LGVV 100F</b>	100	270	0,64

article number	H mm	B mm	G kg
<b>E</b>			
<b>LGVV 100E</b>	100	270	0,61

accessories included:  
5 x **KLS 8x16E** fixing set (page G34)



### LGTR 60 cable ladder barrier strip, height=33 mm

This article is also available made in stainless steel finish, material No. 1.4571 / 1.4404 (V4A).  
For an application example, see the chapter assembly.

article number	H mm	L mm	G kg
<b>S</b>			
<b>LGTR 60S</b>	33	3000	1,50

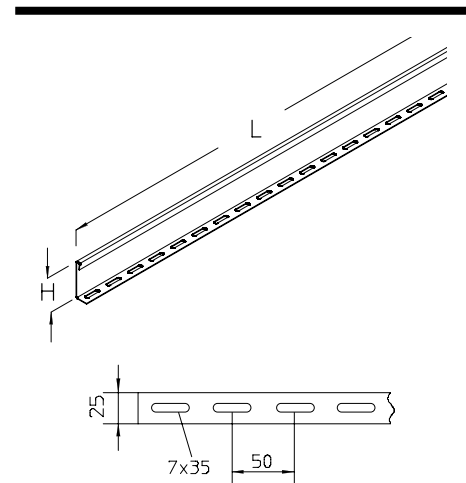
accessories included:  
3 x **FKS 6x10** slotted cylinder head screw, DIN 84 (page G35)  
3 x **AM16 M6F** channel nut, B7 (page G45)

article number	H mm	L mm	G kg
<b>F</b>			
<b>LGTR 60F</b>	33	3000	1,60

accessories included:  
3 x **FKS 6x10E** slotted cylinder head screw, DIN 84 (page G35)  
3 x **AM16 M6F** channel nut, B7 (page G45)

article number	H mm	L mm	G kg
<b>E</b>			
<b>LGTR 60E</b>	33	3000	1,50

accessories included:  
3 x **FKS 6x10E** slotted cylinder head screw, DIN 84 (page G35)  
3 x **AM16 M6E4** channel nut, B7 (page G45)



# Cable ladders

## Accessories

### LGTR 100 cable ladder barrier strip, height=80 mm

For an application example, see the chapter assembly.

article number	H mm	L mm	G kg
<b>S</b>			
<b>LGTR 100S</b>	80	3000	2,70

accessories included:

3 x **FKS 6x10** slotted cylinder head screw, DIN 84 (page G35)  
 3 x **AM16 M6F** channel nut, B7 (page G45)

article number	H mm	L mm	G kg
<b>F</b>			
<b>LGTR 100F</b>	80	3000	2,90

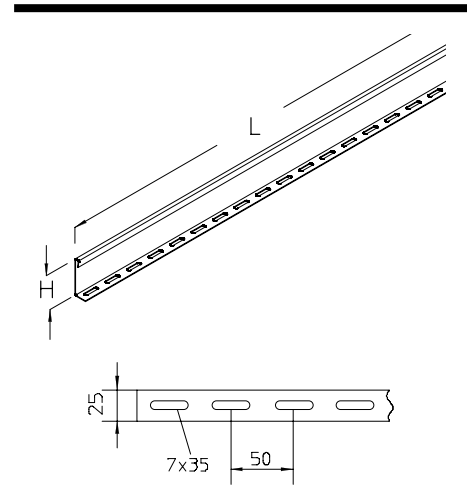
accessories included:

3 x **FKS 6x10E** slotted cylinder head screw, DIN 84 (page G35)  
 3 x **AM16 M6F** channel nut, B7 (page G45)

article number	H mm	L mm	G kg
<b>E</b>			
<b>LGTR 100E</b>	80	3000	2,70

accessories included:

3 x **FKS 6x10E** slotted cylinder head screw, DIN 84 (page G35)  
 3 x **AM16 M6E4** channel nut, B7 (page G45)



### LGHS-P flange mounting clamp

article number	G kg
<b>F</b>	
<b>LGHS-P S</b>	0,68

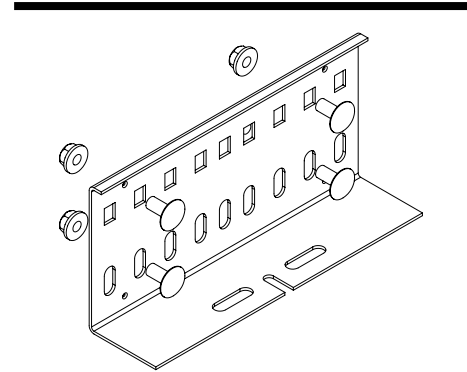
accessories included:

4 x **FRSV 8x16** round-head screw with short square (page G34)  
 4 x **SEMS 8** hexagon nut, self-locking, DIN 6923 (page G41)  
 1 x **FRS 8x50** round-head screw with square, DIN 603 (page G35)  
 1 x **US 8x17** square washer, DIN 125 (page G39)  
 1 x **SKLL F** clamping claw (page D23)  
 1 x **SEM 8** hexagon-nut, DIN 934 (page G41)

article number	G kg
<b>F</b>	
<b>LGHS-P F</b>	0,71

accessories included:

4 x **FRSV 8x16E** round-head screw with short square (page G35)  
 4 x **SEMS 8E** hexagon nut, self-locking, DIN 6923 (page G41)  
 1 x **FRS 8x50E** round-head screw with square, DIN 603 (page G35)  
 1 x **US 8x17E** square washer, DIN 125 (page G40)  
 1 x **SKLL F** clamping claw (page D23)  
 1 x **SEM 8E** hexagon-nut, DIN 934 (page G41)



# Cable ladders

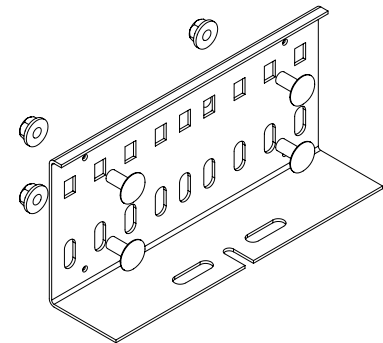
## Accessories

### LGHS-P flange mounting clamp

article number	G	kg
<b>F</b>		
<b>LGHS-P E</b>	0,68	

accessories included:

4 x <b>FRSV 8x16E</b>	round-head screw with short square	(page G35)
4 x <b>SEMS 8E</b>	hexagon nut, self-locking, DIN 6923	(page G41)
1 x <b>FRS 8x50E</b>	round-head screw with square, DIN 603	(page G35)
1 x <b>US 8x17E</b>	square washer, DIN 125	(page G40)
1 x <b>SKLL E</b>	clamping claw	(page D23)
1 x <b>SEM 8E</b>	hexagon-nut, DIN 934	(page G41)



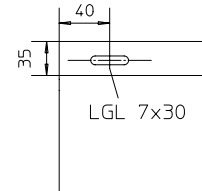
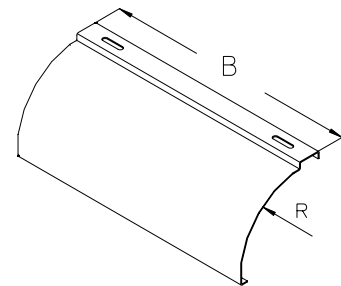
### LGKAB end plate, cable ladder

This article is also available made in stainless steel finish, material No. 1.4571 / 1.4404 (V4A).  
For an application example, see the chapter assembly.

article number	B	R	G
	mm	mm	kg
<b>S</b>			
<b>LGKAB 20S</b>	140	100	0,41
<b>LGKAB 30S</b>	240	100	0,68
<b>LGKAB 40S</b>	340	100	0,95
<b>LGKAB 50S</b>	440	100	1,22
<b>LGKAB 60S</b>	540	100	1,49

accessories included:

2 x <b>AM16 M6F</b>	channel nut, B7	(page G45)
2 x <b>FKS 6x10</b>	slotted cylinder head screw, DIN 84	(page G35)



article number	B	R	G
	mm	mm	kg
<b>F</b>			
<b>LGKAB 20F</b>	140	100	0,44
<b>LGKAB 30F</b>	240	100	0,73
<b>LGKAB 40F</b>	340	100	1,02
<b>LGKAB 50F</b>	440	100	1,31
<b>LGKAB 60F</b>	540	100	1,60

accessories included:

2 x <b>FKS 6x10E</b>	slotted cylinder head screw, DIN 84	(page G35)
2 x <b>AM16 M6F</b>	channel nut, B7	(page G45)

article number	B	R	G
	mm	mm	kg
<b>E</b>			
<b>LGKAB 20E</b>	140	100	0,41
<b>LGKAB 30E</b>	240	100	0,68
<b>LGKAB 40E</b>	340	100	0,95
<b>LGKAB 50E</b>	440	100	1,22
<b>LGKAB 60E</b>	540	100	1,49

accessories included:

2 x <b>FKS 6x10E</b>	slotted cylinder head screw, DIN 84	(page G35)
2 x <b>AM16 M6E4</b>	channel nut, B7	(page G45)

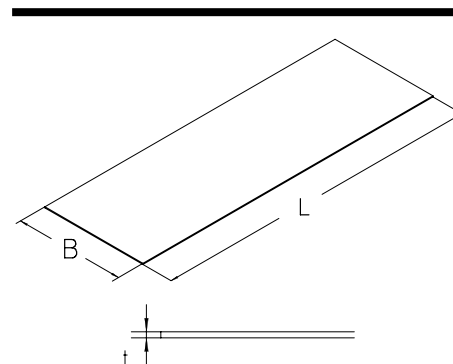
# Cable ladders

## Accessories

### EL Fiber cement plate

For an application example, see the chapter assembly.

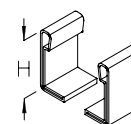
article number	B mm	L mm	t mm	G kg
<b>EL 20</b>	190	1250	4	1,30
<b>EL 30</b>	290	1250	4	2,00
<b>EL 40</b>	390	1250	4	2,60
<b>EL 50</b>	490	1250	4	3,30
<b>EL 60</b>	590	1250	4	4,00



### SL 60 protection end cap

For an application example, see the chapter assembly.

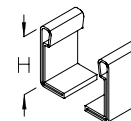
article number	H mm	G kg/set
<b>PE</b>		
<b>SL 60</b>	60	0,03



### SL 100 protection end cap

For an application example, see the chapter assembly.

article number	H mm	G kg/set
<b>PE</b>		
<b>SL 100</b>	100	0,04



### MP-L assembly plate

article number	H mm	B mm	G kg
<b>S</b>			
<b>MP-L 60S</b>	185	120	0,16

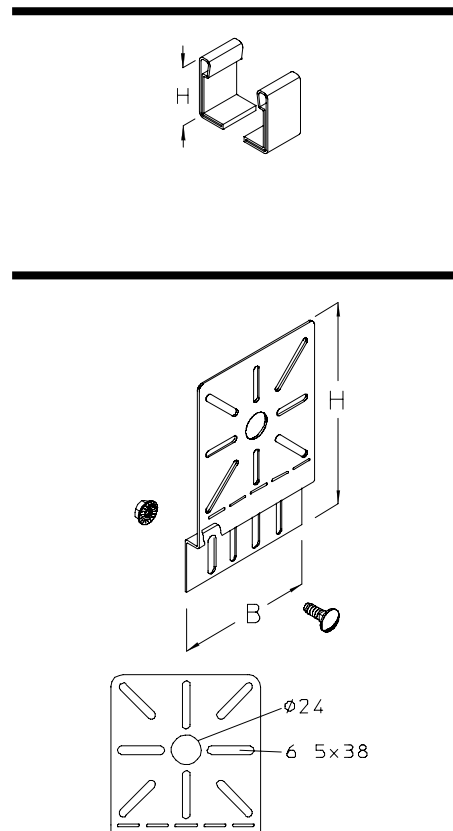
accessories included:  
1 x **KLS 8x16** fixing set (page G33)

article number	H mm	B mm	G kg
<b>F</b>			
<b>MP-L 60F</b>	185	120	0,17

accessories included:  
1 x **KLS 8x16E** fixing set (page G34)

article number	H mm	B mm	G kg
<b>E4</b>			
<b>MP-L 60E4</b>	185	120	0,16

accessories included:  
1 x **SES 8x20E4** hexagon head bolt, DIN 933 (page G38)  
1 x **SEM 8E4** hexagon-nut, DIN 934 (page G41)  
1 x **US 8x17E4** square washer, DIN 125 (page G40)



# Cable ladders

## Accessories

### **KZF** cold zinc paint

For assembly instructions, see the chapter assembly.

article number	l ml	G kg
<b>KZF</b>	750	1,93



### **KZS** cold zinc spray

For assembly instructions, see the chapter assembly.

article number	l ml	G kg
<b>KZS</b>	400	0,40

