



Compact single outlet Information





Design

Beautiful, yet invisible. Pure, yet intriguing. There is more than meets the eye to the design of our new quadrangular shaped single outlet. There is a compactness to it, which gives it a stylish, modern and classy appearance. And once you open the cover, there is a variety of possibilities to equip the UKE. Moreover, the unit is a true part of our product family by following our design guidelines.

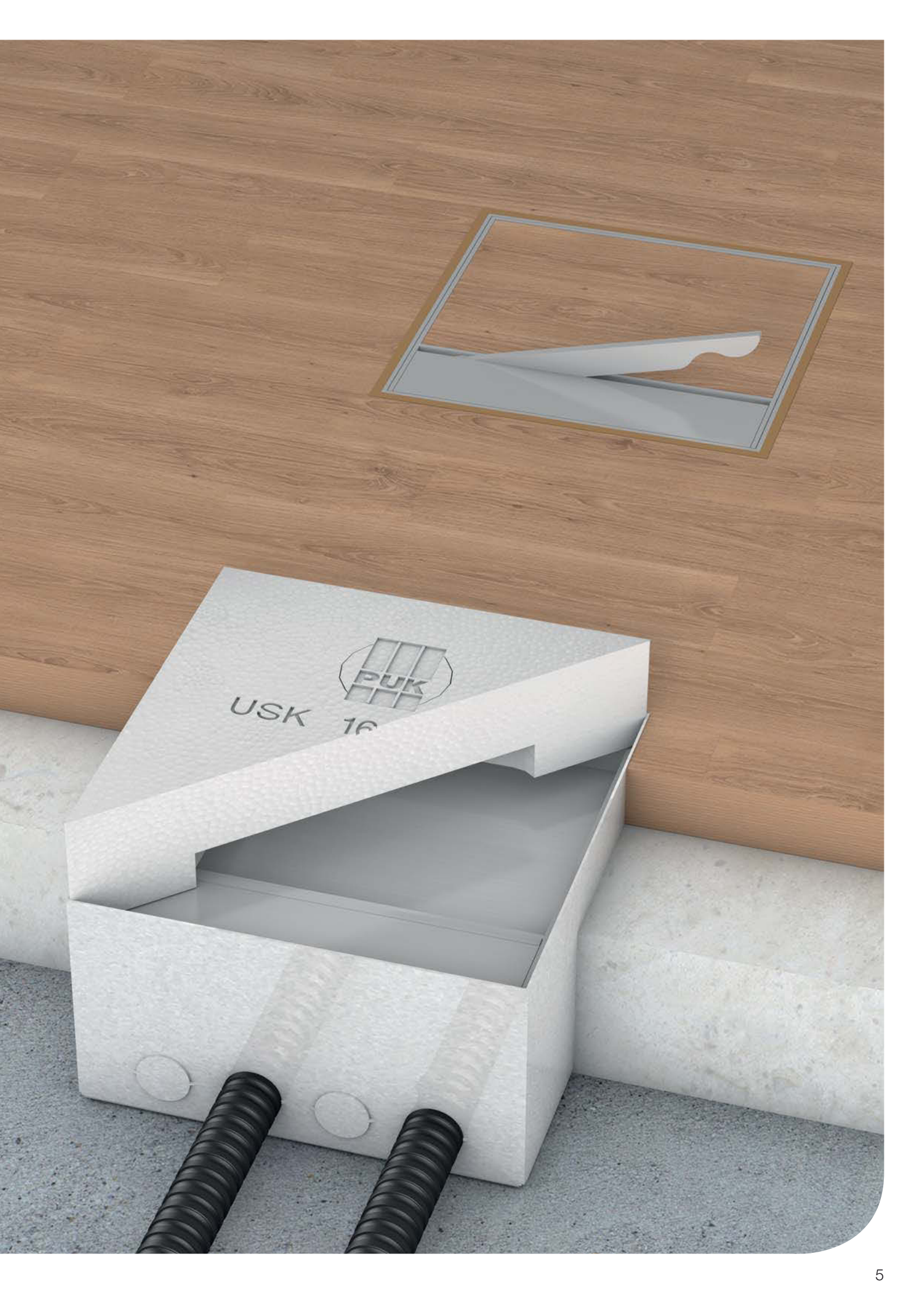


Strength

Due to its small number of components the UKE is a strong, solid and complete system. Made of stainless steel, it easily withstands the loads that arise in show rooms, office and residential buildings, hotels or shopping malls.

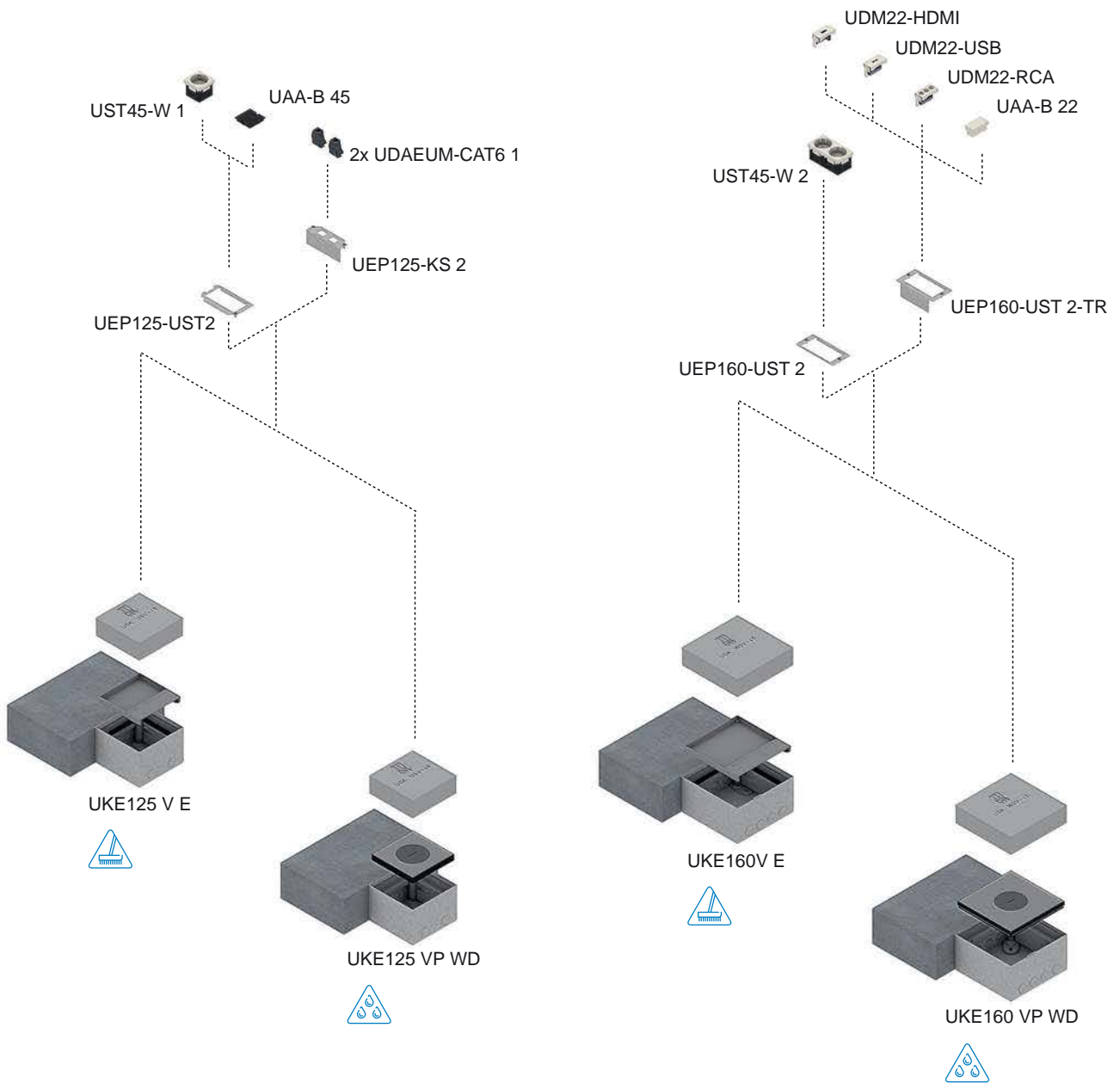
Precision

The outlet UKE is precise in many ways. It simplifies the installation process because it comes with a shuttering unit. UKE can be leveled to floor height after casting screed and installing floor covering. And it is made in Germany using state-of-the-art technology.



Systemübersicht

Compact single outlet



Compact single outlet

Information

UKE125 V Compact single outlet with cable outlet

Angular cable outlet compact single outlet for screed mounting made of high-grade sheet steel with abutting edge for up to two 45x45 mm installation devices and two data jacks, for rooms with dry-maintenance floor covers.

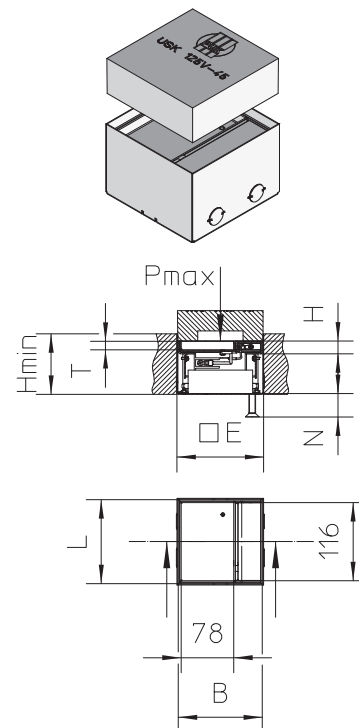


article number	H mm	H _{min} mm	N mm	B mm	L mm	E mm	T mm	P _{max} kN	IP _n	IP _g	G kg
E G											
UKE125 15-V E	15	90	+35	125	125	134 x 134	12	2	IP 30	IP 20	1,74
UKE125 25-V E	25	100	+35	125	125	134 x 134	22	2	IP 30	IP 20	1,93
MS G											
UKE125 25-V MS	25	100	+35	125	125	134 x 134	22	2	IP 30	IP 20	1,96

accessories optional:

UEP125 KS Adapter board for Keystone modules for compact single outlets

UEP125 UST Adapter board for sockets for compact single outlets



UKE125 VP WD Compact single outlet with tube outlet

Angular tube compact single outlet for screed mounting made of high-grade sheet steel with abutting edge for up to two 45x45 mm installation devices and two data jacks, for rooms with wet-maintenance floor covers.



article number	H mm	H _{min} mm	N mm	B mm	L mm	E mm	P _{max} kN	IP _n	IP _g	G kg
E G										
UKE125 15-VP-WD	15	90	+35	125	125	134 x 134	20	IP 54	IP 22	2,60

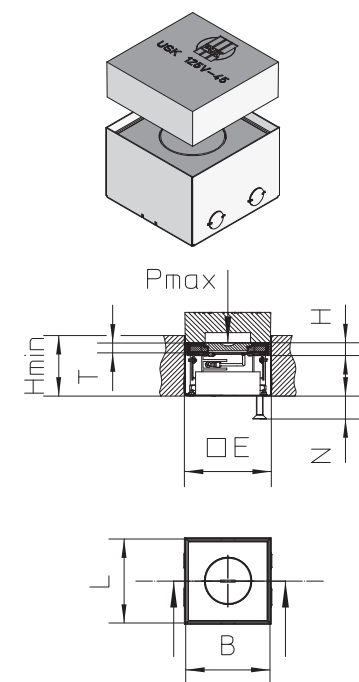
accessories optional:

UEP125 KS Adapter board for Keystone modules for compact single outlets

UEP125 UST Adapter board for sockets for compact single outlets

UET tube for wet maintenance

UEP125 B Adapter board for sockets for compact single outlets, dummy



Compact single outlet

Information

UKE160 V Compact single outlet with cable outlet

Angular cable outlet compact single outlet for screed mounting made of high-grade sheet steel with abutting edge for up to four 45x45 mm installation devices, for rooms with dry-maintenance floor covers.

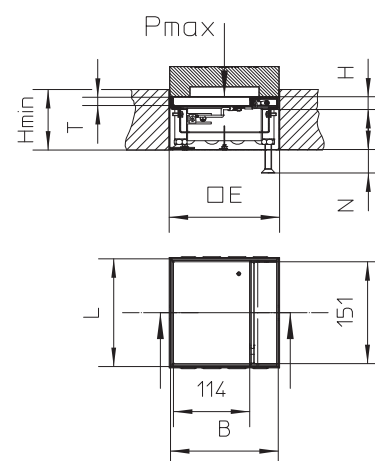
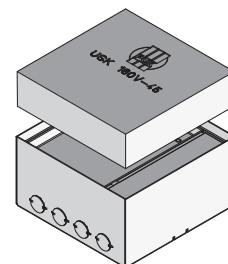


article number	H mm	H _{min} mm	N mm	B mm	L mm	E mm	T mm	P _{max} kN	IP _n	IP _g	G kg
E G											
UKE160 15-V E	15	90	+35	160	160	166 x 166	12	2	IP 30	IP 20	2,39
UKE160 25-V E	25	100	+35	160	160	166 x 166	22	2	IP 30	IP 20	2,40
MS G											
UKE160 25-V MS	25	100	+35	160	160	166 x 166	22	2	IP 30	IP 20	3,40

accessories optional:

UEP160 UST Adapter board for sockets for compact single outlets

UEP160 UST-TR Adapter board, data/multimedia



UKE160 VP WD Compact single outlet with tube outlet

Angular tube compact single outlet for screed mounting made of high-grade sheet steel with abutting edge for up to four 45x45 mm installation devices, for rooms with wet-maintenance floor covers.



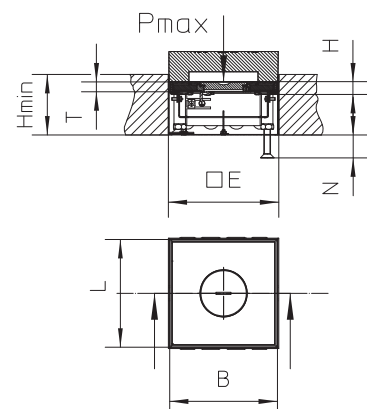
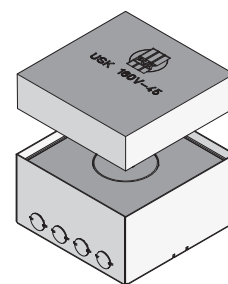
article number	H mm	H _{min} mm	N mm	B mm	L mm	P _{max} kN	IP _n	IP _g	G kg
E G									
UKE160 15-VP-WD	15	90	+35	160	160	20	IP 54	IP 22	4,04

accessories optional:

UEP160 UST Adapter board for sockets for compact single outlets

UEP160 UST-TR Adapter board, data/multimedia

UET tube for wet maintenance



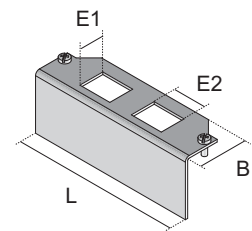
Compact single outlet | Accessories

Information

UEP125 KS Adapter board for Keystone modules for compact single outlets

article number	B mm	L mm	E1 mm	E2 mm	G kg
S					
UEP125-KS 2	29	98	14,8	19,5	0,06

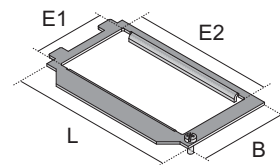
accessories optional:
UDAEUM data systems installation device



UEP125 UST Adapter board for sockets for compact single outlets

article number	B mm	L mm	E1 mm	E2 mm	G kg
S					
UEP125-UST 2	62	105	40,5	86	0,04

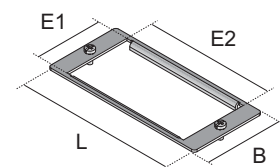
accessories optional:
UST45 1 shockproof socket single
UST45 2 shockproof socket, duplex



UEP160 UST Adapter board for sockets for compact single outlets

article number	B mm	L mm	E1 mm	E2 mm	G kg
S					
UEP160-UST 2	50	108	40,5	86	0,03

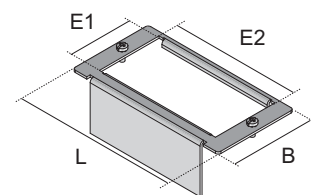
accessories optional:
UST45 1 shockproof socket single
UST45 2 shockproof socket, duplex



UEP160 UST-TR Adapter board, data/multimedia

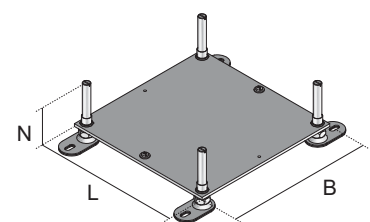
article number	B mm	L mm	E1 mm	E2 mm	G kg
S					
UEP160-UST 2-TR	56	108	40,5	86	0,07

accessories optional:
UDAP45-KS Data cover, Keystone
UDAE22 data systems installation device single



UKENP Levelling board

article number	N mm	B mm	L mm	E mm	G kg
S					
UKENP 125S	25-70	125	125	188 x 238	1,31
UKENP 160S	25-70	160	160	224 x 274	1,75



Compact single outlet, quadrangular

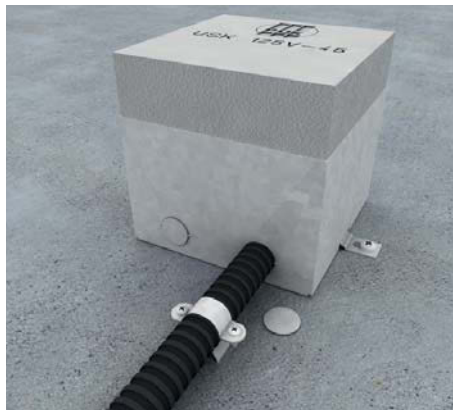
Assembly instruction



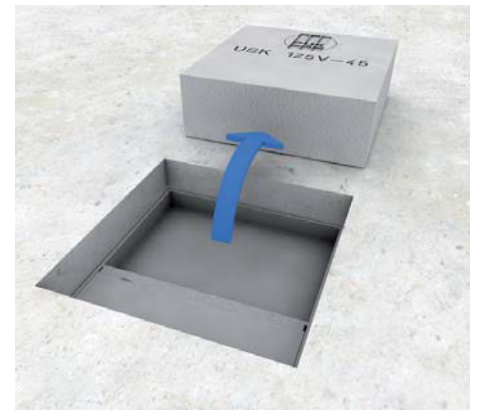
Quadrangular compact single outlet, external dimensions 125 x 125 mm and 160 x 160 mm for installation directly into screed, suitable for dry and wet maintenance rooms. Scope of delivery contains floor box, stainless steel unit and shuttering unit. For parquet and stone floors of 12/22 mm levelling range: 80–125 mm or 90–135 mm.



1 | Floor box
Align floor box in dead centre as delivered. Bend open ears and fix to raw ceiling.



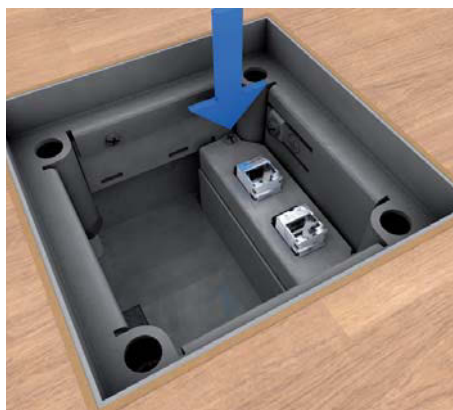
2 | Plastic conduit
Bend open perforation in the sides of floor box and insert plastic conduit.



3 | Casting screed
Seal all openings of the floor box as delivered and cast screed accurately to the shuttering unit. Remove shuttering unit when screed is hardened.



4 | Levelling to floor
Remove cartridge cover and rubber seal and adjust single outlet to floor height flush over the four levelling screws.



5 | Data systems
Insert connected data jacks from below into the plate. Fasten equipped plate at the side of the single outlet.



6 | Heavy current systems
Insert heavy current devices from the top and connect from below. Insert equipped plate using the snap tabs into the frame and fasten the opposite side.

Compact single outlet, quadrangular

Assembly instruction



7 | Assembly
Insert heavy current and low current plugs.



8 | Single outlet
Insert rubber seal and cartridge cover. In case of dry maintenance floors install cartridge unit with cable outlet. Comply with potential equalization.



9 | Installation devices
Latch sockets and data devices into plate and connect conducts.



10 | Single outlet frame
Fasten equipped plates to single outlet frame.



11 | Assembly
Insert heavy current and low current plugs.



12 | Tube
Insert rubber seal and tube cover. In case of wet maintenance floors, mount single tube outlet and tube. Comply with potential equalization.



Irrtümer und technische Änderungen vorbehalten. Nachdruck sowie jegliche elektronische Vervielfältigung nur mit unserer schriftlichen Genehmigung. Mit Erscheinen dieser Drucksache verlieren alle vorhergehenden Unterlagen ihre Gültigkeit.

