

CHALI Screed-flush brush duct

Information overview



CHALI

Screed-flush brush duct



Advantages

- VDE-certified thanks to coverable brush cable outlet
- Compensates for structural tolerances
- Free-standing installation ensures reliable absorption of impact sound
- Easy installation and replacement of installation devices
- Accessibility is maintained
- Improved quality of life thanks to the individual design of the room
- Minimal space required for electrical installations

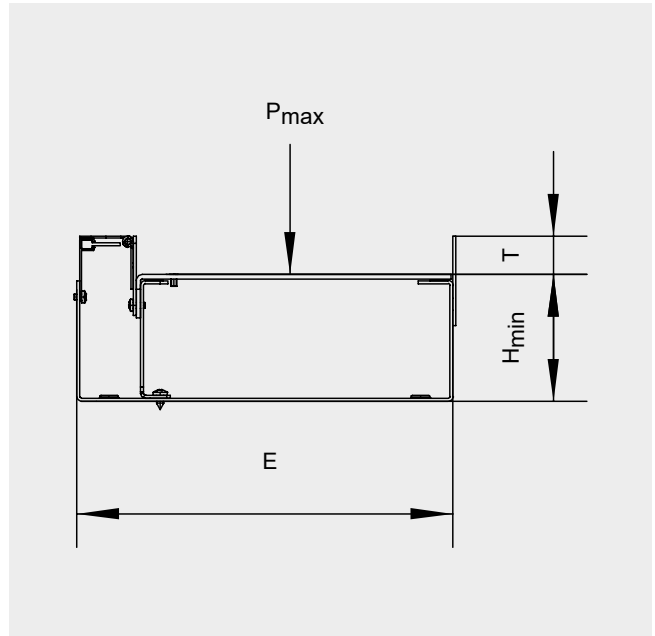
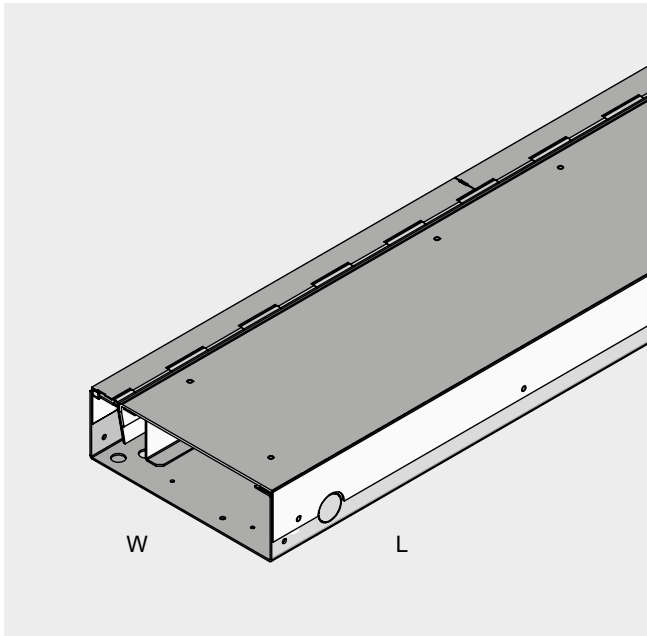
Application areas

The coverable brush outlet results in various possible options for CHALI to be used in accordance with VDE certification in offices and public buildings. The outlet flap allows the area of the duct where no cables are fed out to be covered. The height-adjustable edges make it suitable for use with flooring up to 25 mm thick.



Technical building equipment

Technical data



Type	H _{min} mm	W mm	L mm	T mm	E mm	P _{max} kN	IP _g	IP _n	Wt kg
CHALI 85-25S	85	255	2000	25	260	3.0	20	30	33.05

H_{min}: Minimal installation height | W: Width | L: Length | T: Depth | E: Installation dimension | P_{max}: Maximum permitted loading | IP_g: IP rating when in use | IP_n: IP rating when not in use | Wt: Weight

Assembly components



UBEBTR
Barrier strip



UBEBGT
Device carrier mount



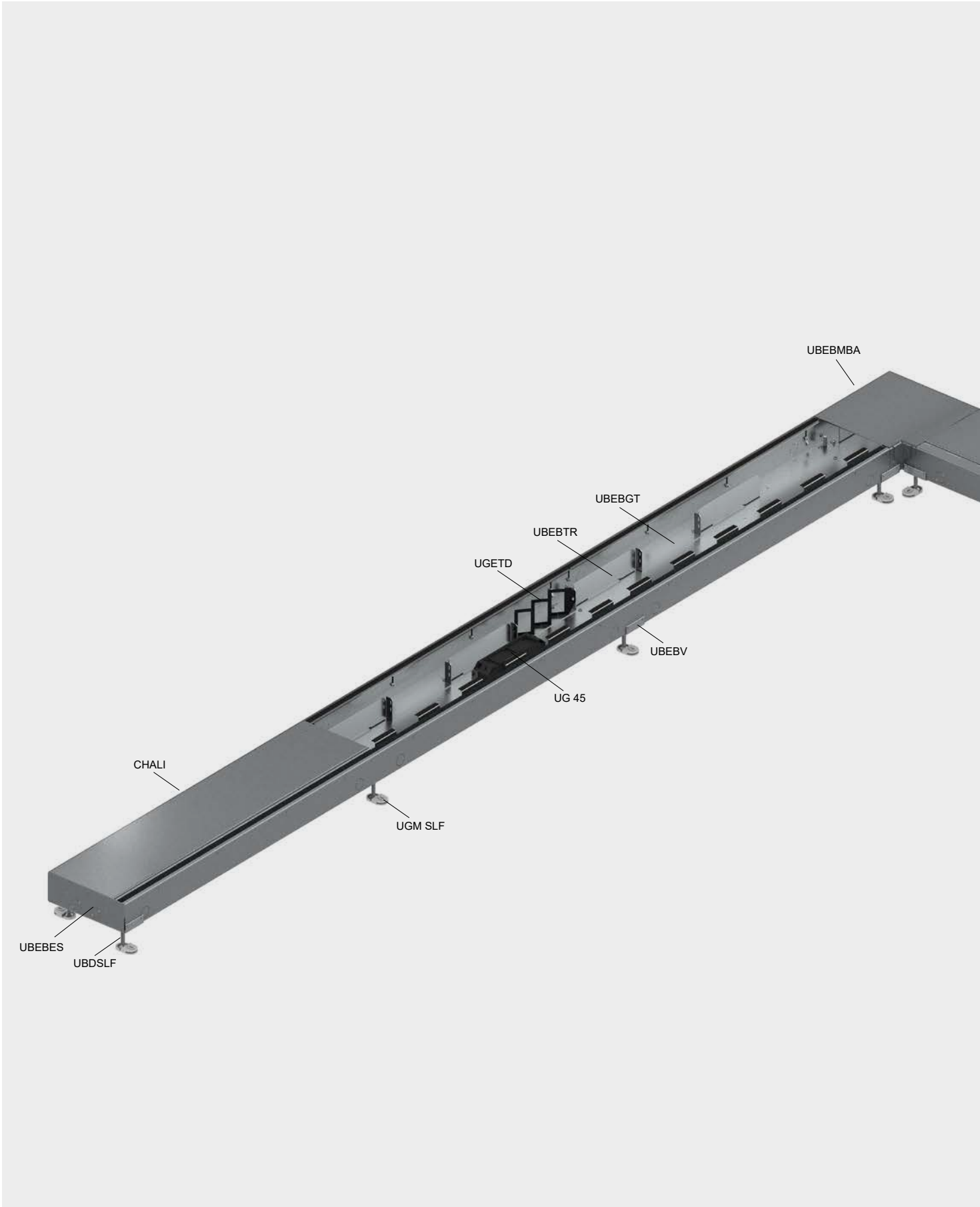
UBEBES
Variable end piece



UBEBV
Connector for CHALI

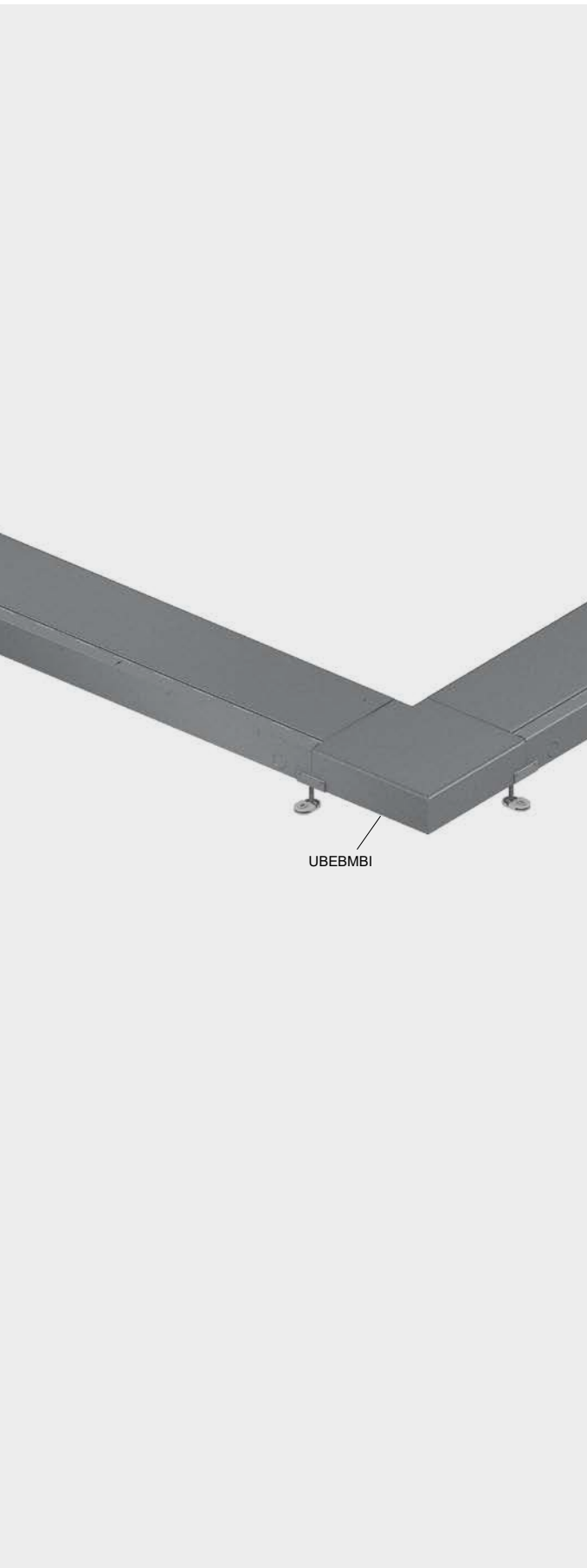


UBDSLF
Levelling foot



The system at a glance

The new CHALI screed-flush brush duct unlocks its full potential in offices and public buildings. Thanks to its coverable brush, the duct can be used in compliance with VDE certification and is suitable for installation in the middle of the room. The brush allows electrical devices to be used at any point along the duct. This provides users with the greatest degree of flexibility when designing rooms. The installed device carrier mounts ensure that the right connections are available at the place of use.



Application example



In an open-plan office, a flexible supply for workstations should be installed, which makes it possible to rearrange the workstations at a later point in time. For this purpose, an 8 m brush duct is to be laid along the front of the floor-to-ceiling windows. A total of eight workstations, positioned opposite each other in pairs, are to have access to the power supply and data network.

Customer requirements

- 8 m duct
- 250 mm wide
- 125 mm floor structure height
- Laminate
- Dry floor care

Example order

- 4 x CHALI 85-25S
Screed-flush brush duct
- 6 x UBEBV 85-25S
Connector for CHALI
- 20 x UBDSL 60
M10 levelling foot
- 2 x UBEBES 85-25S
Variable end piece
- 4 x UBEBTR 85S
Barrier strip
- 6 x UBEBGT S
Device carrier mount
- 4 x UG45
Prefabricated device mounting box
with plug connector system
- 2 x UGETD-3 226
Device carrier for data connections



Content subject to technical change without notice. Errors and omissions excepted. This document may not be reprinted or electronically reproduced without our prior written permission. This document supersedes all previous documentation; its publication renders all previous documentation invalid.

PohlCon Vertriebs GmbH

Nobelstraße 51
12057 Berlin, Germany

T +49 (0) 30 68283-04
F +49 (0) 30 68283-383

www.pohlcon.com