



Device cup UG45

Assembly instruction



Device cup UG45

Assembly instruction

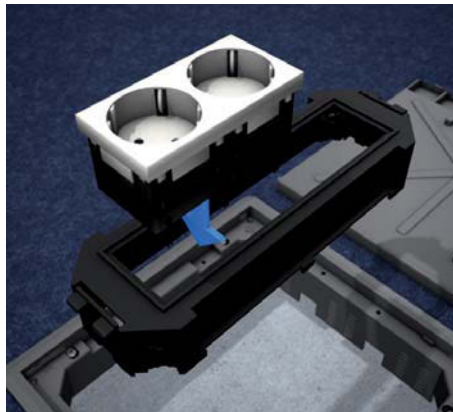


Installation and mounting must be done only by persons with appropriate electro-technical expertise and experience. Device cup UG45-4, for latching into an installation unit. Suitable for up to four heavy current engineering installation devices of 45 x 45 mm or eight installation devices of data technology / multimedia of 22,5 x 45 mm.



1 | System UG45

Installation devices can be inserted into the device cups UG45 directly from the top without additional cover plates. However, the use of heavy current engineering requires protection against contact from the bottom in the form of cover plates.



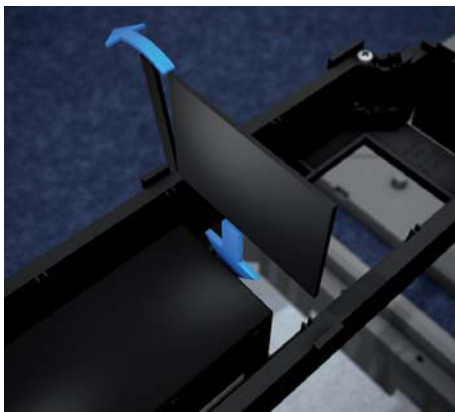
2 | Isolated ground receptacles

Latch isolated ground receptacles into the device cup from the top.



3 | Strain relief

Place the four strain reliefs included in the delivery into the side openings of the device cup, insert the cables of $\varnothing 6$ to $\varnothing 13$ mm into the strain reliefs, connect and secure using a fixing bolt.



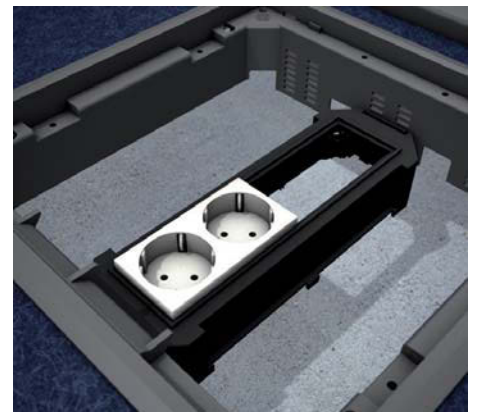
4 | Separating plate

Use separating plate in case of different electric systems and equipment. Break off separating plate along the side perforation and insert into the device cup from the bottom.



5 | Protection against contact

Installation devices of heavy current engineering require protection against contact in the form of a cover plate, to be latched below the device cup.



6 | Insertion

Latch the device cup as deeply into the lock-in lead as possible. The device cup can be lowered up to 30 mm.

Device cup UG45

Assembly instruction



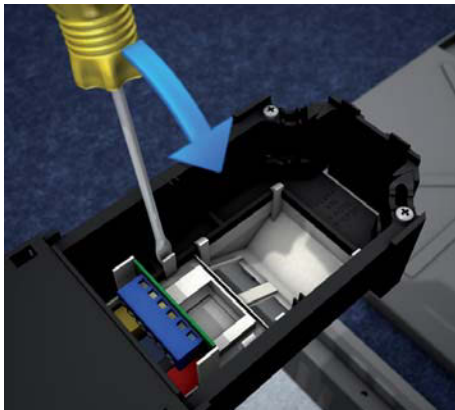
7 | Data coverage
Complete the data coverage using data single jacks and latch into the device cup from the top.



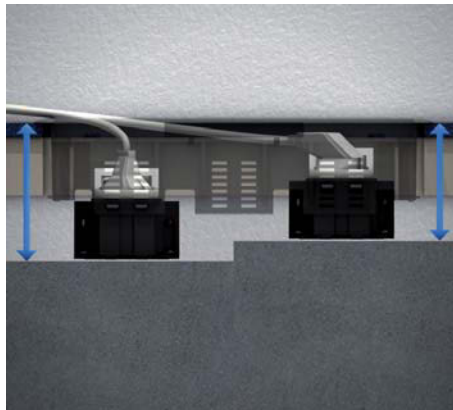
8 | Media modules
Latch the connected media modules into the device cup from the top.



9 | Cover plate
Unused spaces are covered with dummy cover plates.



10 | Releasing of components
Insert screwdriver between previously turned device cup and installation device of data technology, respectively heavy current engineering. Loosen latches individually and remove installation device.



11 | Minimum / maximum installation height
Minimum installation height when using an angle plug and the level 4 lock-in position: 81 mm. Maximum installation height when using a straight plug and the lowest lock-in position: 100 mm.



12 | Data device
After the completed equipment of the device cup, the patch cables can be plugged into the data device allowing for a bending radius of 45°.



13 | Heavy current
The device cup can be loaded with up to four heavy current engineering components.



14 | Data and media technology
The device cup can be loaded with up to eight data/media technology components.



15 | Pre-assembled device cup
The device cups can be pre-assembled using the snap-in cover plate UAVS 113 and a snap-in piece. The pre-assembled device cups are delivered factory-provided fully pre-assembled with receptacles and prewired on device connectors.



Errors and technical modification subject to change, reproduction as well as electronic duplication only with our written permission. With appearance of this print all preceding documents lose their validity.

