

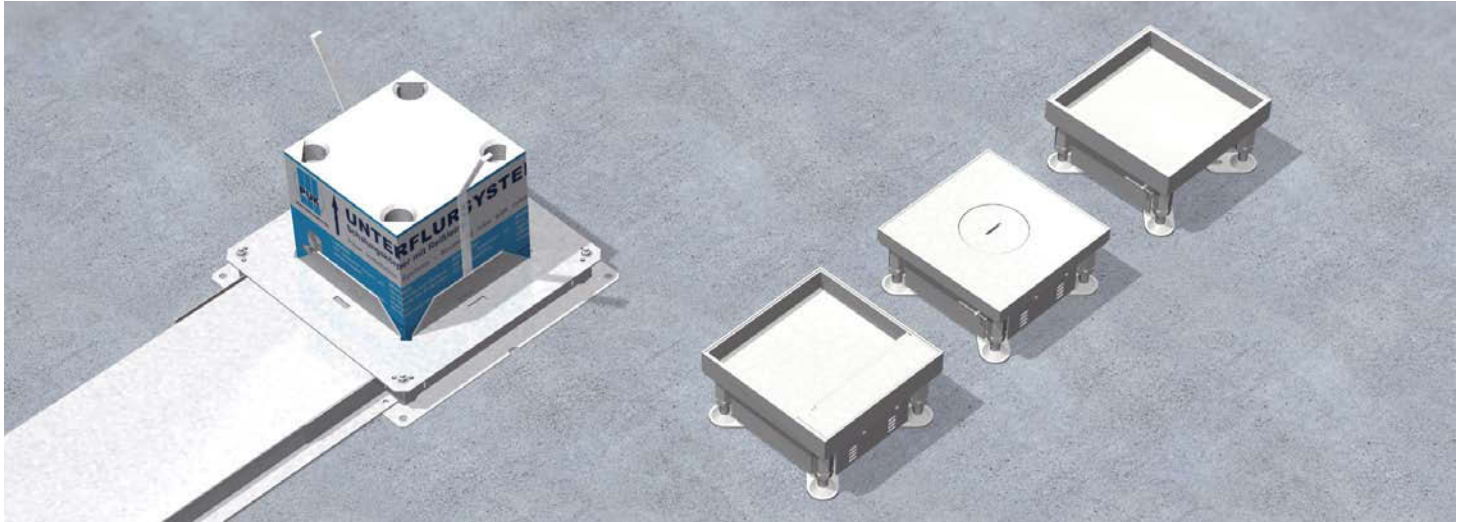


**Single outlet, quadrangular
Hollow space floor box**
Assembly instruction

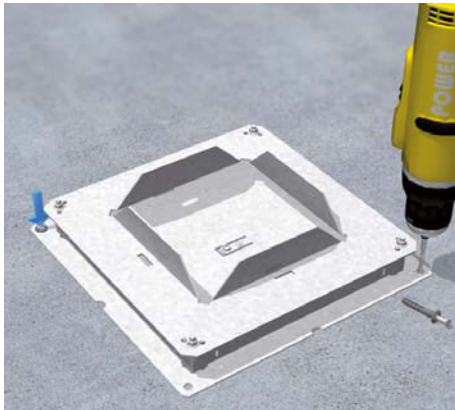


Single outlet, quadrangular | Hollow space floor box

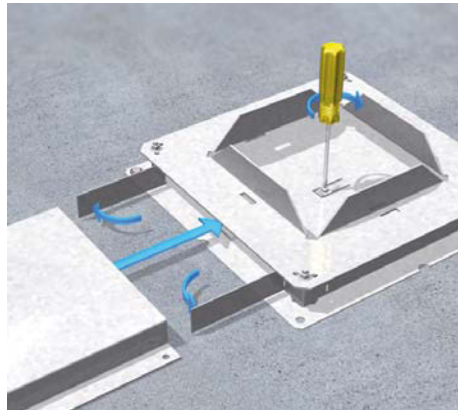
Assembly instruction



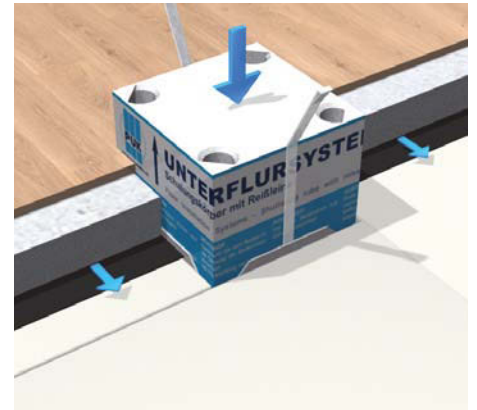
Quadrangular single outlets with external dimension of 160 x 160 mm for the integration of up to two installation devices of 45 x 45 mm for fixture in hollow space floor boxes.



1 | Hollow space floor box
Align floor box in the centre to cable run. Mount with two nail plugs.



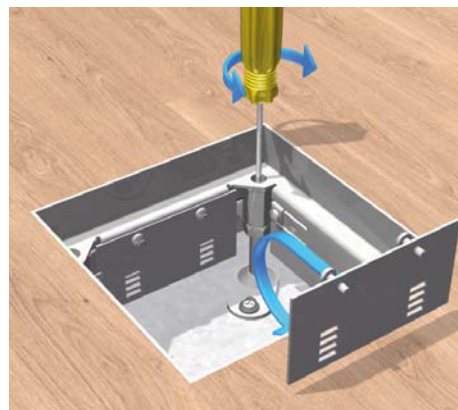
2 | Duct
Screw on earthing lug. Bend the sides of the floor box open along the perforation. Insert duct all the way into the box.



3 | Shuttering unit
Insert the shuttering unit, process screed to the body, remove the shuttering unit after precipitation.



4 | Fixation
Insert the frame and mount the four levelling legs onto the bottom of the hollow floor box with nail plugs.



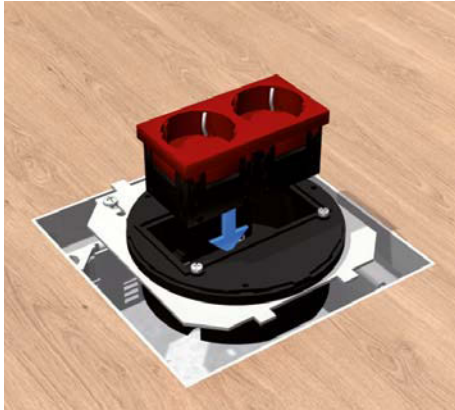
5 | Floor adjustment
Adjust the single outlet succinctly above the four levelling screws. Screw in the lock-in leads.



6 | Cover plate
Fix the cover plate onto the device cup with screws.

Single outlet, quadrangular | Hollow space floor box

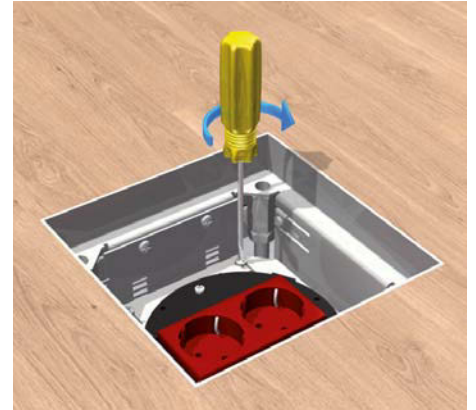
Assembly instruction



7 | Fixture of installation devices
Latch two installation devices 45 x 45 mm in the cover plate UARM-4-1 118.



8 | Device cup
Place the device cup into the plate, insert the ducts into strain relief and screw in the fixing bolt.



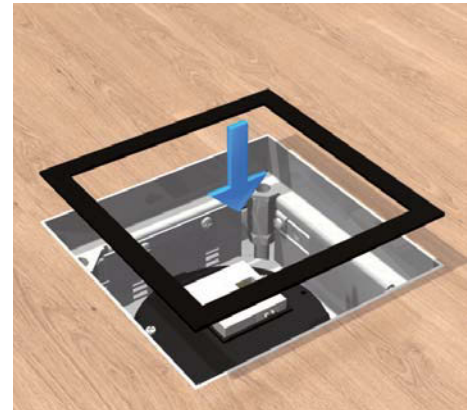
9 | Lock-in lead
Insert the plate above the plate slide as deeply into the lock-in leads as possible. For a stepwise shafting of the plate until up to 20 mm.



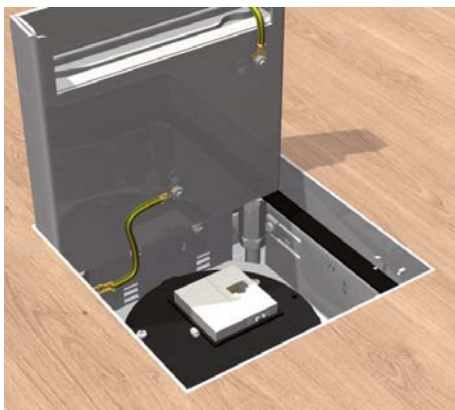
10 | Installation of installation devices
Latch one installation device 45 x 45 mm and one installation device 22,5 x 45 mm in cover plate UARM-3-1 118.



11 | Installation of installation devices
Latch two installation devices 22,5 x 45 mm in cover plate UARM-2-1 118.



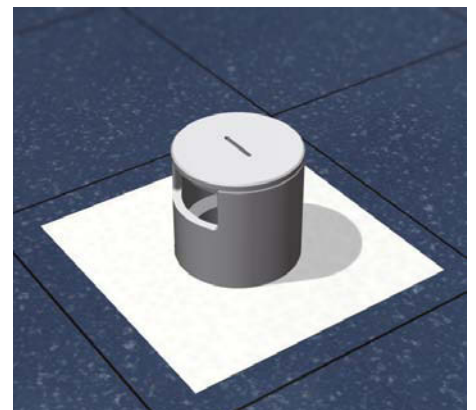
12 | Rubber seal
Glue the rubber seal into the frame.



13 | Earthing connection
Establish an earthing connection between the single outlet frame and the cover. Factor the single outlet into the potential equalisation.



14 | Single outlet
Close the cover.



15 | Tube
For wet maintenance floors install tube single outlet and tube.



Errors and technical modification subject to change, reproduction as well as electronic duplication only with our written permission. With appearance of this print all preceding documents lose their validity.

