



# Ship ladders

Ship ladders

K03-K08

---



K

# Numeric index

## Ship ladders

### S

**SKL** ship ladder [K03](#)

**SLA** ship ladder, branch-T-piece, height=30mm [K05](#)

**SLAA** ship ladder attachment branch-piece [K06](#)

**SLB** ship ladder bend, height=30 mm [K03](#)

**SLF** ship ladder hook [K08](#)

**SLS** ship ladder inside outside riser [K04](#)

**SLV** ship ladder coupler [K06](#)

**SLVV** ship ladder coupler, vertical [K07](#)

**SLW** ship ladder angle [K07](#)

# Ship ladders

## SKL ship ladder, height=30 mm, length=3000 mm

For a load diagram, see the chapter planning.

article number	H mm	B mm	L mm	G kg
<b>B</b>				
SKL 075B	30	75	3000	8,40
SKL 100B	30	100	3000	8,70
SKL 150B	30	150	3000	9,30
SKL 200B	30	200	3000	9,90
SKL 250B	30	250	3000	10,80
SKL 300B	30	300	3000	11,40
SKL 400B	30	400	3000	12,90
SKL 500B	30	500	3000	14,40
<b>M</b>				
SKL 075M	30	75	3000	8,40
SKL 100M	30	100	3000	8,70
SKL 150M	30	150	3000	9,30
SKL 200M	30	200	3000	9,90
SKL 250M	30	250	3000	10,80
SKL 300M	30	300	3000	11,40
SKL 400M	30	400	3000	12,90
SKL 500M	30	500	3000	14,40
<b>F</b>				
SKL 075F	30	75	3000	8,40
SKL 100F	30	100	3000	8,70
SKL 150F	30	150	3000	9,30
SKL 200F	30	200	3000	9,90
SKL 250F	30	250	3000	10,80
SKL 300F	30	300	3000	11,40
SKL 400F	30	400	3000	12,90
SKL 500F	30	500	3000	14,40

accessories optional:

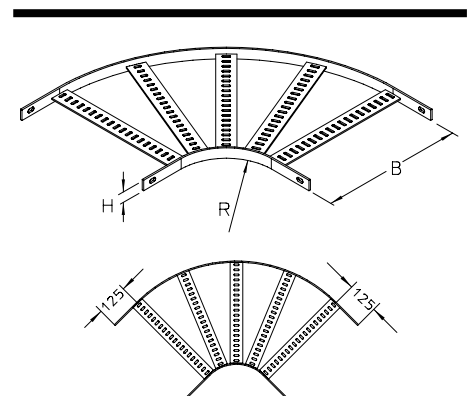
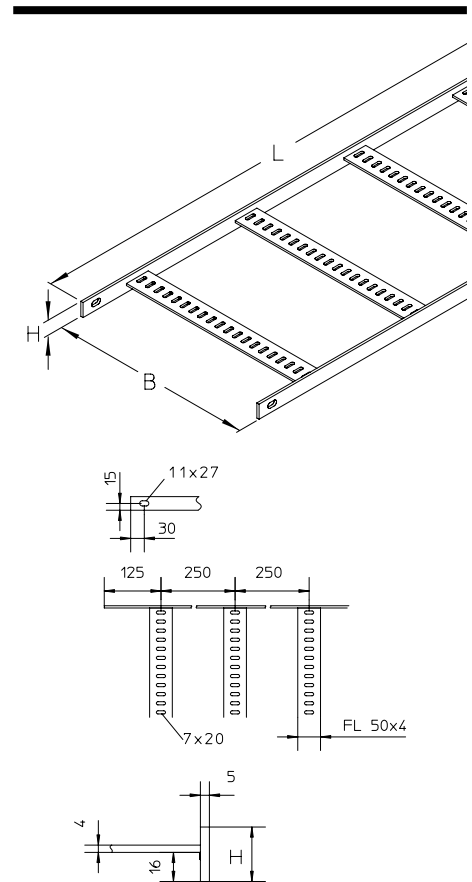
<b>SLW</b>	ship ladder angle	(page K07)
<b>SLV</b>	ship ladder coupler	(page K06)
<b>SLVV</b>	ship ladder coupler, vertical	(page K07)

## SLB ship ladder bend, height=30 mm

article number	H mm	B mm	R mm	G kg
<b>B</b>				
SLB 075B	30	75	100	1,60
SLB 100B	30	100	100	1,70
SLB 150B	30	150	100	2,00
SLB 200B	30	200	100	2,20
SLB 250B	30	250	100	2,80
SLB 300B	30	300	150	3,70
SLB 400B	30	400	150	4,50
SLB 500B	30	500	200	6,10

accessories optional:

<b>SLW</b>	ship ladder angle	(page K07)
<b>SLV</b>	ship ladder coupler	(page K06)
<b>SLVV</b>	ship ladder coupler, vertical	(page K07)



# Ship ladders

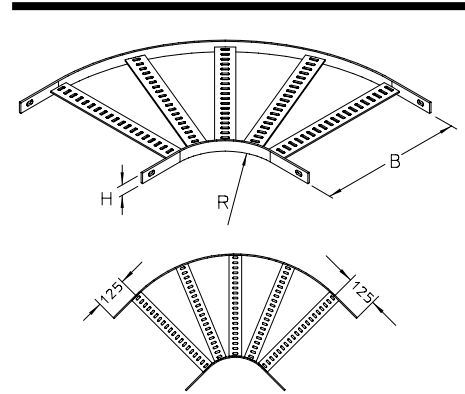
## SLB ship ladder bend, height=30 mm

article number	H mm	B mm	R mm	G kg
<b>M</b>				
SLB 075M	30	75	100	1,60
SLB 100M	30	100	100	1,70
SLB 150M	30	150	100	2,00
SLB 200M	30	200	100	2,20
SLB 250M	30	250	100	2,80
SLB 300M	30	300	150	3,70
SLB 400M	30	400	150	4,50
SLB 500M	30	500	200	6,10

<b>F</b>				
SLB 075F	30	75	100	1,60
SLB 100F	30	100	100	1,70
SLB 150F	30	150	100	2,00
SLB 200F	30	200	100	2,20
SLB 250F	30	250	100	2,80
SLB 300F	30	300	150	3,70
SLB 400F	30	400	150	4,50
SLB 500F	30	500	200	6,10

accessories optional:

- SLW** ship ladder angle (page K07)
- SLV** ship ladder coupler (page K06)
- SLVV** ship ladder coupler, vertical (page K07)



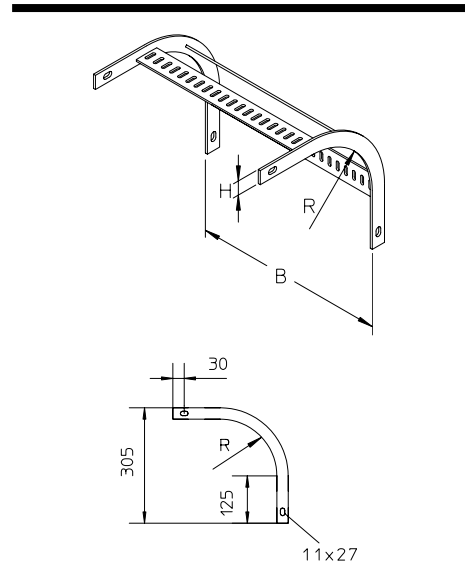
## SLS ship ladder inside outside riser

article number	H mm	B mm	R mm	G kg
<b>B</b>				
SLS 075B	30	75	150	0,90
SLS 100B	30	100	150	1,00
SLS 150B	30	150	150	1,00
SLS 200B	30	200	150	1,30
SLS 250B	30	250	150	1,50
SLS 300B	30	300	150	1,70
SLS 400B	30	400	150	2,80
SLS 500B	30	500	150	3,30

<b>M</b>				
SLS 075M	30	75	150	0,90
SLS 100M	30	100	150	1,00
SLS 150M	30	150	150	1,00
SLS 200M	30	200	150	1,30
SLS 250M	30	250	150	1,50
SLS 300M	30	300	150	1,70
SLS 400M	30	400	150	2,80
SLS 500M	30	500	150	3,30

accessories optional:

- SLW** ship ladder angle (page K07)
- SLV** ship ladder coupler (page K06)
- SLVV** ship ladder coupler, vertical (page K07)



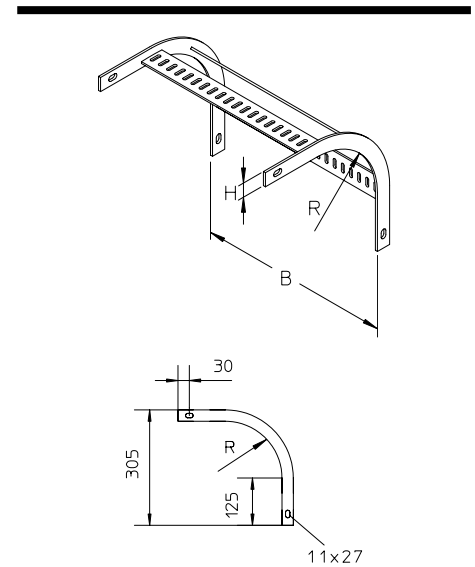
# Ship ladders

## SLS ship ladder inside outside riser

article number	H mm	B mm	R mm	G kg
<b>F</b>				
SLS 075F	30	75	150	0,90
SLS 100F	30	100	150	1,00
SLS 150F	30	150	150	1,00
SLS 200F	30	200	150	1,30
SLS 250F	30	250	150	1,50
SLS 300F	30	300	150	1,70
SLS 400F	30	400	150	2,80
SLS 500F	30	500	150	3,30

accessories optional:

<b>SLW</b>	ship ladder angle	(page K07)
<b>SLV</b>	ship ladder coupler	(page K06)
<b>SLVV</b>	ship ladder coupler, vertical	(page K07)



## SLA ship ladder, branch-T-piece, height=30mm

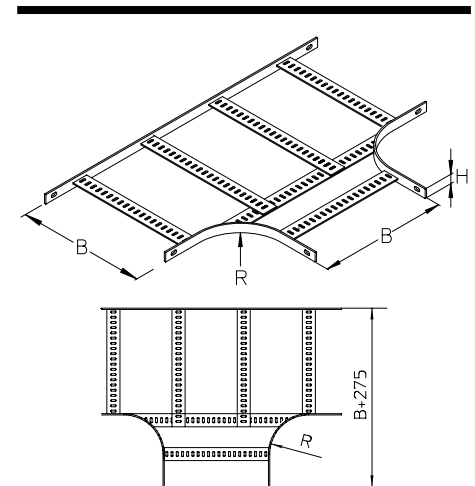
article number	H mm	B mm	R mm	G kg
<b>B</b>				
SLA 075B	30	75	100	2,50
SLA 100B	30	100	100	2,70
SLA 150B	30	150	100	3,20
SLA 200B	30	200	100	3,60
SLA 250B	30	250	100	4,10
SLA 300B	30	300	150	5,40
SLA 400B	30	400	150	6,50
SLA 500B	30	500	200	8,80

<b>M</b>				
SLA 075M	30	75	100	2,50
SLA 100M	30	100	100	2,70
SLA 150M	30	150	100	3,20
SLA 200M	30	200	100	3,60
SLA 250M	30	250	100	4,10
SLA 300M	30	300	150	5,40
SLA 400M	30	400	150	6,50
SLA 500M	30	500	200	8,80

<b>F</b>				
SLA 075F	30	75	100	2,50
SLA 100F	30	100	100	2,70
SLA 150F	30	150	100	3,20
SLA 200F	30	200	100	3,60
SLA 250F	30	250	100	4,10
SLA 300F	30	300	150	5,40
SLA 400F	30	400	150	6,50
SLA 500F	30	500	200	8,80

accessories optional:

<b>SLW</b>	ship ladder angle	(page K07)
<b>SLV</b>	ship ladder coupler	(page K06)
<b>SLVV</b>	ship ladder coupler, vertical	(page K07)



K

# Ship ladders

## SLAA ship ladder attachment branch-piece

article number	H mm	B mm	R mm	G kg
<b>B</b>				
SLAA 075B	30	75	100	1,40
SLAA 100B	30	100	100	1,50
SLAA 150B	30	150	100	1,70
SLAA 200B	30	200	100	1,80
SLAA 250B	30	250	100	2,00
SLAA 300B	30	300	150	2,50
SLAA 400B	30	400	150	2,80
SLAA 500B	30	500	200	3,40
<b>M</b>				
SLAA 075M	30	75	100	1,40
SLAA 100M	30	100	100	1,50
SLAA 150M	30	150	100	1,70
SLAA 200M	30	200	100	1,80
SLAA 250M	30	250	100	2,00
SLAA 300M	30	300	150	2,50
SLAA 400M	30	400	150	2,80
SLAA 500M	30	500	200	3,40
<b>F</b>				
SLAA 075F	30	75	100	1,40
SLAA 100F	30	100	100	1,60
SLAA 150F	30	150	100	1,70
SLAA 200F	30	200	100	1,80
SLAA 250F	30	250	100	2,00
SLAA 300F	30	300	150	2,50
SLAA 400F	30	400	150	2,80
SLAA 500F	30	500	200	3,40

accessories optional:

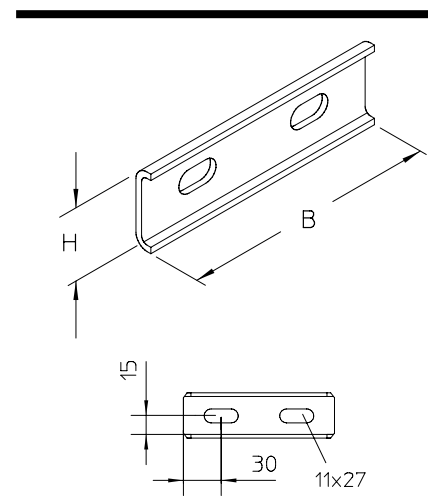
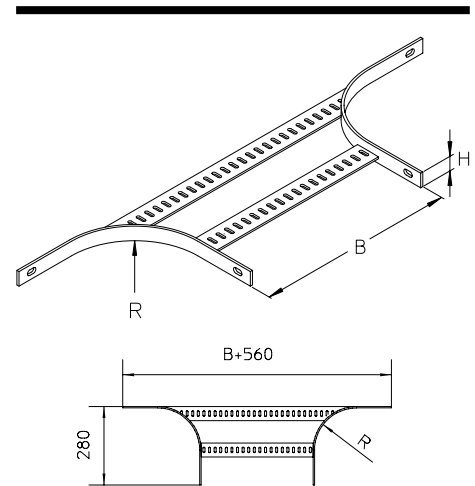
- SLW** ship ladder angle (page K07)
- SLV** ship ladder coupler (page K06)
- SLVV** ship ladder coupler, vertical (page K07)

## SLV ship ladder coupler

article number	H mm	B mm	G kg
<b>B</b>			
SLV B	38	120	0,10
<b>M</b>			
SLV M	38	120	0,10
<b>F</b>			
SLV F	38	0,10	

accessories included:

- 2 x **KLS 10x20F** fixing set (page G34)



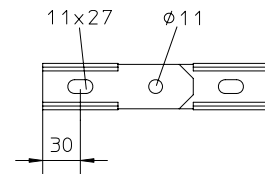
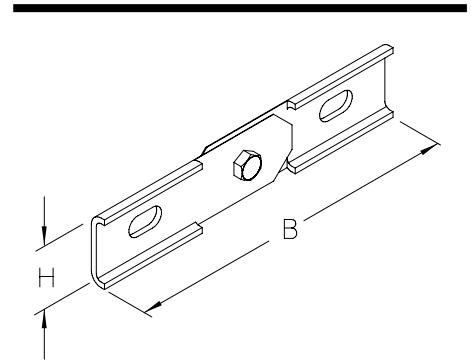
# Ship ladders

## SLVW ship ladder coupler, vertical

article number	H mm	B mm	G kg
<b>B</b>			
<b>SLVW B</b>	38	180	0,20
<b>M</b>			
<b>SLVW M</b>	38	180	0,20
<b>F</b>			
<b>SLVW F</b>	38	180	0,20

accessories included:

2 x <b>KLS 10x20F</b>	fixing set	(page G34)
1 x <b>SES 10x20F</b>	hexagon head bolt, DIN 933	(page G38)
1 x <b>US 10x21F</b>	square washer, DIN 125	(page G39)
1 x <b>SEM 10F</b>	hexagon-nut, DIN 934	(page G41)

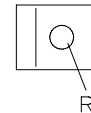
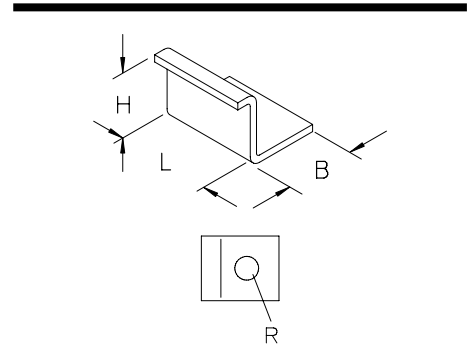


## SLW ship ladder angle

article number	H mm	B mm	L mm	R mm	G kg
<b>B</b>					
<b>SLW 7B</b>	27	31	40	7	0,10
<b>M</b>					
<b>SLW 7M</b>	27	31	40	7	0,10
<b>F</b>					
<b>SLW 7F</b>	27	31	40	7	0,10

accessories included:

1 x <b>SES 6x20E</b>	hexagon head bolt, DIN 933	(page G38)
1 x <b>US 6x12E</b>	square washer, DIN 125	(page G40)
1 x <b>SEM 6E</b>	hexagon-nut, DIN 934	(page G41)



article number	H mm	B mm	L mm	R mm	G kg
<b>B</b>					
<b>SLW 10B</b>	27	31	40	11	0,10
<b>M</b>					
<b>SLW 10M</b>	27	31	40	11	0,10
<b>F</b>					
<b>SLW 10F</b>	27	31	40	11	0,10

accessories included:

1 x <b>SES 10x20F</b>	hexagon head bolt, DIN 933	(page G38)
1 x <b>US 10x21F</b>	square washer, DIN 125	(page G39)
1 x <b>SEM 10F</b>	hexagon-nut, DIN 934	(page G41)



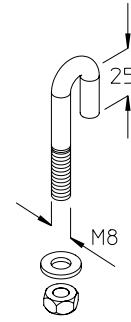
# Ship ladders

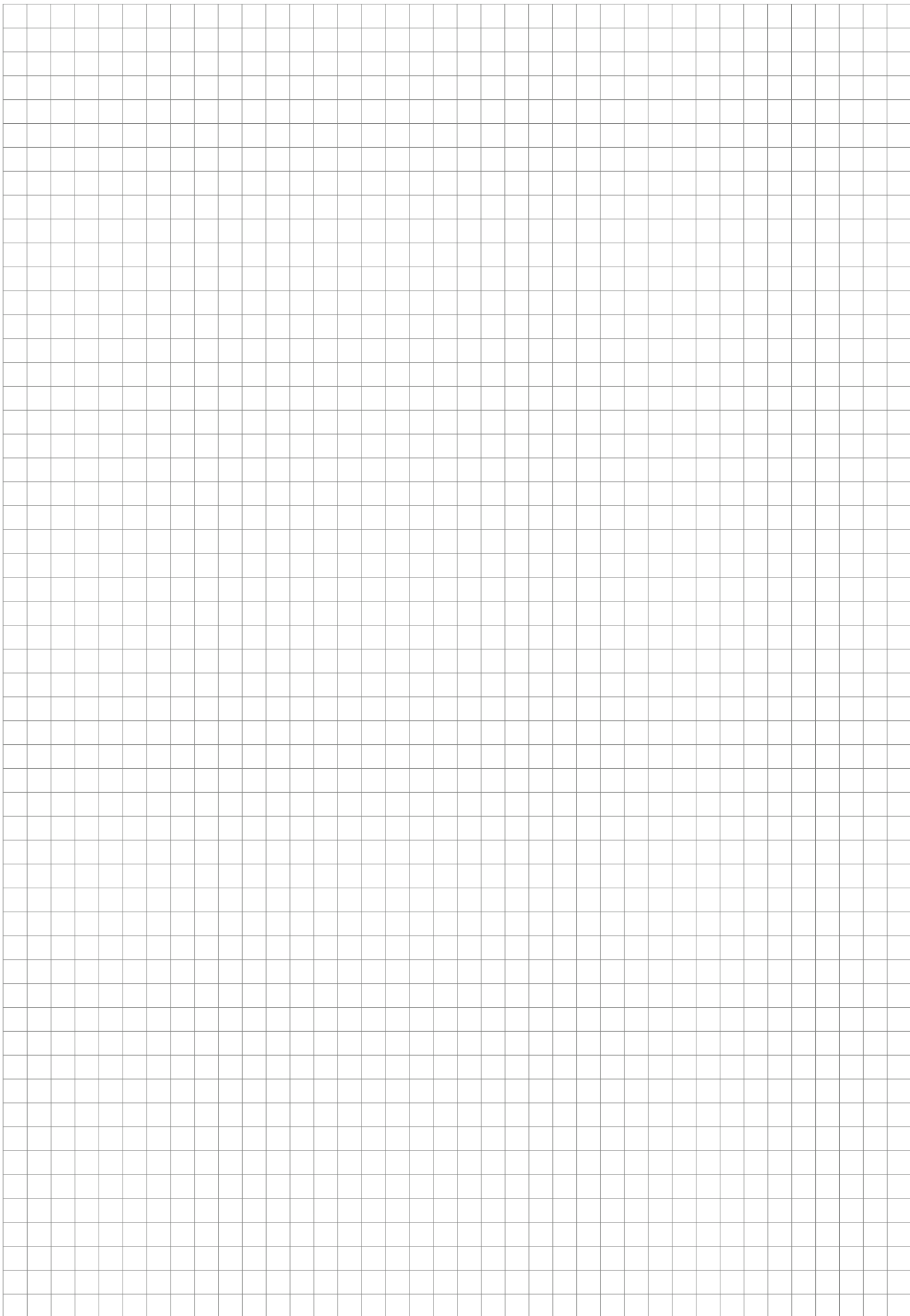
## SLF ship ladder hook

article number	G
	kg
<b>E</b>	
<b>SLF E</b>	0,03

accessories included:

- 1 x **US 8x17E** square washer, DIN 125 (page G40)
- 1 x **SEM 8E** hexagon-nut, DIN 934 (page G41)





K