



# Line of protection tubes

Line of protection tubes

103-109

---



|

# Numeric index

## Line of protection tubes

### S

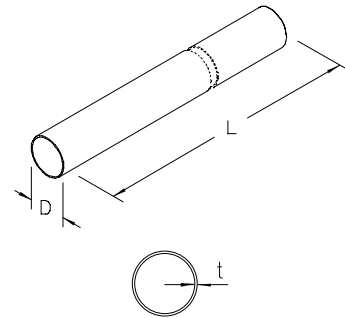
- SR** protection tube [I03](#)
- SRB 45** tube bow [I04](#)
- SRB 90** tube bow [I03](#)
- SRF** floor fastening system [I08](#)
- SRFW** base bracket [I08](#)
- SRHB** protection tube bracket [I05](#)
- SRHD** protection tube bracket, pivoted [I05](#)
- SRK-G** end cap [I09](#)
- SRK-O** final sleeve as edge protective strip [I08](#)
- SRL** protection tube, slotted [I03](#)
- SRM** clamp socket [I04](#)
- SRML** elongated slot socket [I04](#)
- SRMP-A** assembly plate, 165x175 mm [I07](#)
- SRMP-B** assembly plate, 175x260 mm [I07](#)
- SRMP-C** assembly plate, 270x380 mm [I07](#)
- SRS-A** support clamp [I06](#)
- SRSB** switch block, self contained [I05](#)
- SRS-B** tube bar clamp [I06](#)
- SRS-R** tube clamp [I06](#)
- SRS-W** dual fastening clamp [I06](#)

## Line of protection tubes

### SR protection tube, length=6000 mm

For an application example, see the chapter assembly.

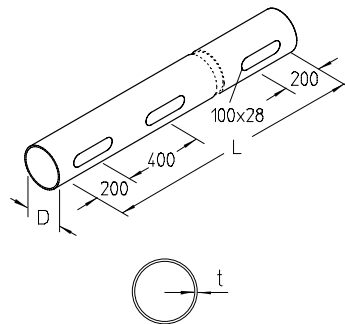
article number	D mm	L mm	t mm	G kg
<b>F</b>				
<b>SR 30F</b>	30	6000	1,5	6,65
<b>SR 60F</b>	60	6000	2,0	17,40
<b>E</b>				
<b>SR 30E</b>	30	6000	1,5	6,65
<b>SR 60E</b>	60	6000	2,0	17,40



### SRL protection tube, slotted, length=6000 mm

For an application example, see the chapter assembly.

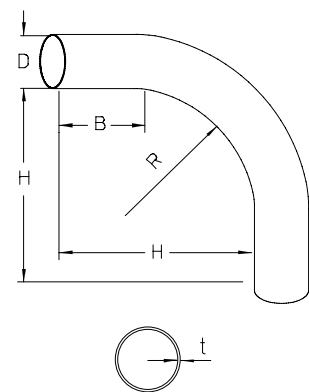
article number	D mm	L mm	t mm	G kg
<b>F</b>				
<b>SRL 60F</b>	60	6000	2	16,30
<b>E</b>				
<b>SRL 60E</b>	60	6000	2	16,30



### SRB 90 tube bow

For an application example, see the chapter assembly.

article number	H mm	B mm	D mm	R mm	t mm	G kg
<b>F</b>						
<b>SRB 90-30F</b>	185	100	30	140	1,5	0,40
<b>SRB 90-60F</b>	225	100	60	150	2,0	1,30
<b>E</b>						
<b>SRB 90-30E</b>	185	100	30	140	1,5	0,40
<b>SRB 90-60E</b>	225	100	60	150	2,0	1,30

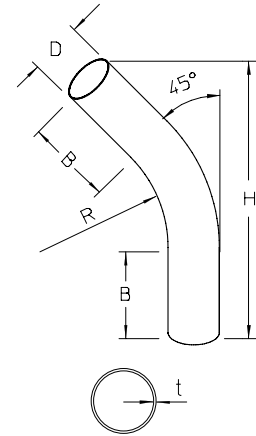


# Line of protection tubes

## SRB 45 tube bow

For an application example, see the chapter assembly.

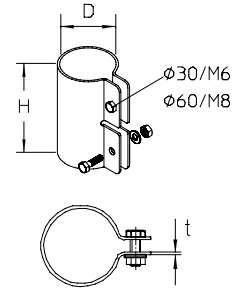
article number	H mm	B mm	D mm	R mm	t mm	G kg
<b>F</b>						
<b>SRB 45-30F</b>	270	100	30	140	1,5	0,30
<b>SRB 45-60F</b>	350	100	60	150	2,0	1,05
<b>E</b>						
<b>SRB 45-30E</b>	270	100	30	140	1,5	0,30
<b>SRB 45-60E</b>	350	100	60	150	2,0	1,05



## SRM clamp socket

For an application example, see the chapter assembly.

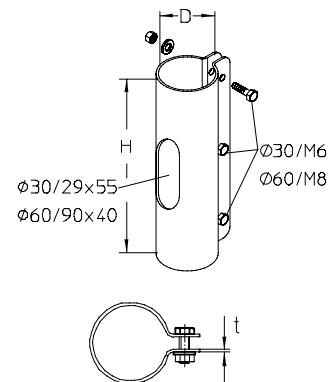
article number	H mm	D mm	t mm	G kg
<b>F</b>				
<b>SRM 30F</b>	80	30	1,5	0,15
<b>SRM 60F</b>	115	60	2,5	0,55
<b>E</b>				
<b>SRM 30E</b>	80	30	1,5	0,15
<b>SRM 60E</b>	115	60	2,5	0,55



## SRML elongated slot socket

For an application example, see the chapter assembly.

article number	H mm	D mm	t mm	G kg
<b>F</b>				
<b>SRML 30F</b>	130	30	1,5	0,20
<b>SRML 60F</b>	180	60	2,5	1,05
<b>E</b>				
<b>SRML 30E</b>	130	30	1,5	0,20
<b>SRML 60E</b>	180	60	2,5	1,05

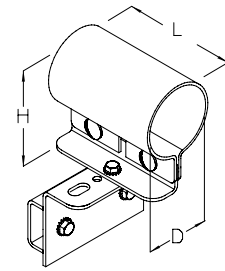


# Line of protection tubes

## SRHD protection tube bracket, pivoted

For an application example, see the chapter assembly.

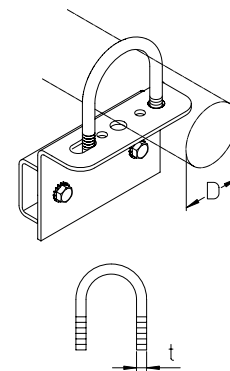
article number	H mm	B mm	D mm	L mm	t mm	G kg
<b>F</b>						
SRHD 30F	62	1,5	30	80	1,5	0,70
SRHD 60F	102	1,5	60	115	2,0	1,20
<b>E</b>						
SRHD 30E	62	1,5	30	80	1,5	0,70
SRHD 60E	102	1,5	60	115	2,0	1,20



## SRHB protection tube bracket

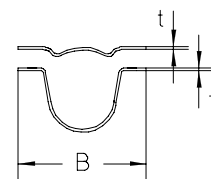
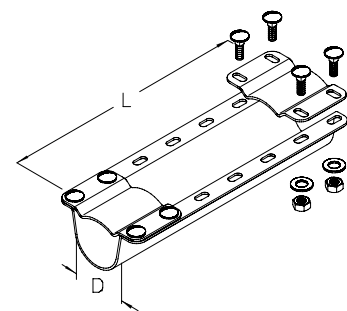
For an application example, see the chapter assembly.

article number	D mm	t mm	G kg
<b>F</b>			
SRHB 30F	31	6	0,52
SRHB 60F	61	10	0,62
<b>E</b>			
SRHB 30E	31	6	0,52
SRHB 60E	61	8	0,62



## SRSB switch block, self contained

article number	B mm	D mm	L mm	t mm	G kg
<b>F</b>					
SRSB 30-300F	85	30	300	2,0	1,05
SRSB 30-400F	85	30	400	2,0	1,28
SRSB 30-500F	85	30	500	2,0	1,52
SRSB 30-600F	85	30	600	2,0	1,75
SRSB 60-300F	120	60	300	2,5	2,00
SRSB 60-400F	120	60	400	2,5	2,20
SRSB 60-500F	120	60	500	2,5	2,60
SRSB 60-600F	120	60	600	2,5	3,00
<b>E</b>					
SRSB 30-300E	85	30	300	2,0	1,05
SRSB 30-400E	85	30	400	2,0	1,28
SRSB 30-500E	85	30	500	2,0	1,52
SRSB 30-600E	85	30	600	2,0	1,75
SRSB 60-300E	120	60	300	2,5	2,00
SRSB 60-400E	120	60	400	2,5	2,44
SRSB 60-500E	120	60	500	2,5	2,89
SRSB 60-600E	120	60	600	2,5	3,33

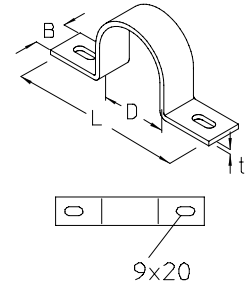


# Line of protection tubes

## SRS-R tube clamp

For an application example, see the chapter assembly.

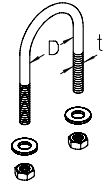
article number	B mm	D mm	L mm	t mm	G kg
<b>F</b>					
<b>SRS-R 30F</b>	25	31	85	2,5	0,06
<b>SRS-R 60F</b>	30	61	160	4,0	0,22
<b>E</b>					
<b>SRS-R 30E</b>	25	31	85	2,5	0,06
<b>SRS-R 60E</b>	30	61	160	4,0	0,22



## SRS-B tube bar clamp

For an application example, see the chapter assembly.

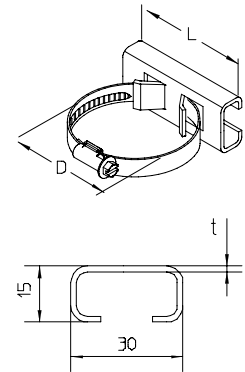
article number	D mm	t mm	G kg
<b>F</b>			
<b>SRS-B 30-6F</b>	31	6	0,03
<b>SRS-B 60-10F</b>	61	10	0,22
<b>E</b>			
<b>SRS-B 30-6E</b>	31	6	0,03
<b>SRS-B 60-8E</b>	61	8	0,22



## SRS-A support clamp

For an application example, see the chapter assembly.

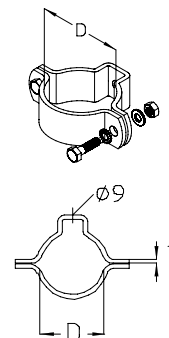
article number	D mm	L mm	t mm	G kg
<b>F</b>				
<b>SRS-A 30F</b>	30	70	1,5	0,06
<b>SRS-A 60F</b>	60	70	1,5	0,08
<b>E</b>				
<b>SRS-A 30E</b>	30	70	1,5	0,06
<b>SRS-A 60E</b>	60	70	1,5	0,08



## SRS-W dual fastening clamp

For an application example, see the chapter assembly.

article number	D mm	t mm	G kg
<b>F</b>			
<b>SRS-W 30F</b>	31	4	0,21
<b>SRS-W 60F</b>	61	4	0,31
<b>E</b>			
<b>SRS-W 30E</b>	31	4	0,21
<b>SRS-W 60E</b>	61	4	0,31



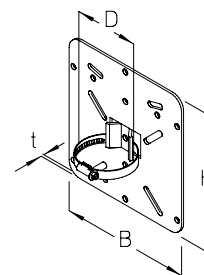
# Line of protection tubes

## SRMP-A assembly plate, 165x175 mm

other dimensions on request

For an application example, see the chapter assembly.

article number	H mm	B mm	D mm	t mm	G kg
<b>F</b>					
<b>SRMP-A 30F</b>	175	165	30	3	0,58
<b>SRMP-A 60F</b>	175	165	60	3	0,60
<b>E</b>					
<b>SRMP-A 30E</b>	175	165	30	3	0,58
<b>SRMP-A 60E</b>	175	165	60	3	0,60

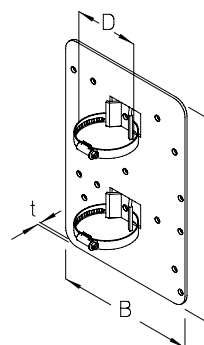


## SRMP-B assembly plate, 175x260 mm

other dimensions on request

For an application example, see the chapter assembly.

article number	H mm	B mm	D mm	t mm	G kg
<b>F</b>					
<b>SRMP-B 30F</b>	260	175	30	3	1,00
<b>SRMP-B 60F</b>	260	175	60	3	1,00
<b>E</b>					
<b>SRMP-B 30E</b>	260	175	30	3	1,00
<b>SRMP-B 60E</b>	260	175	60	3	1,00

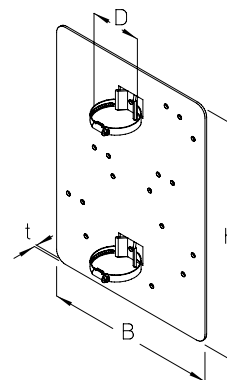


## SRMP-C assembly plate, 270x380 mm

other dimensions on request

For an application example, see the chapter assembly.

article number	H mm	B mm	D mm	t mm	G kg
<b>F</b>					
<b>SRMP-C 60F</b>	380	270	60	3	2,70
<b>E</b>					
<b>SRMP-C 60E</b>	380	270	60	3	2,70



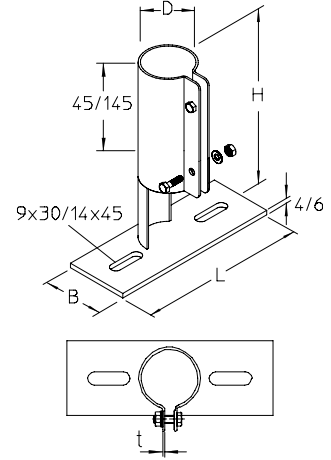


# Line of protection tubes

## SRF floor fastening system

For an application example, see the chapter assembly.

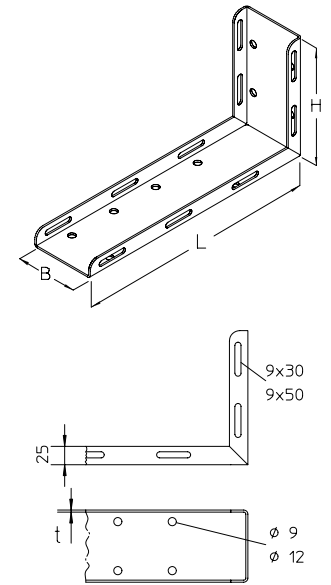
article number	H mm	B mm	D mm	L mm	t mm	G kg
<b>F</b>						
<b>SRF 30F</b>	130	40	31	130	1,5	0,28
<b>SRF 60F</b>	230	80	61	220	2,5	1,75
<b>E</b>						
<b>SRF 30E</b>	130	40	31	130	1,5	0,28
<b>SRF 60E</b>	230	80	61	220	2,5	1,75



## SRFW base bracket

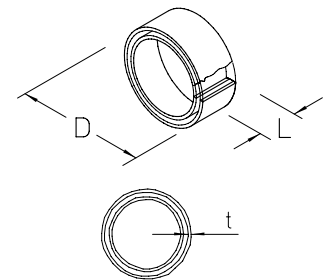
For an application example, see the chapter assembly.

article number	H mm	B mm	L mm	t mm	G kg
<b>F</b>					
<b>SRFW 30F</b>	100	60	200	2	0,52
<b>SRFW 60F</b>	200	100	400	3	1,95
<b>E</b>					
<b>SRFW 30E</b>	100	60	200	2	0,52
<b>SRFW 60E</b>	200	100	400	3	1,95



## SRK-O final sleeve as edge protective strip

article number	D mm	L mm	t mm	G kg
<b>PVC</b>				
<b>SRK-O 30</b>	30	25	2	0,01
<b>SRK-O 60</b>	60	25	2	0,02



# Line of protection tubes

## SRK-G end cap

article number	D mm	L mm	t mm	G kg
<b>PVC</b>				
<b>SRK-G 30</b>	30	30	2	0,01
<b>SRK-G 60</b>	60	35	2	0,02

