



Cable support trough

Cable support trough

H03-H05



H

Numeric index

Cable support trough

K

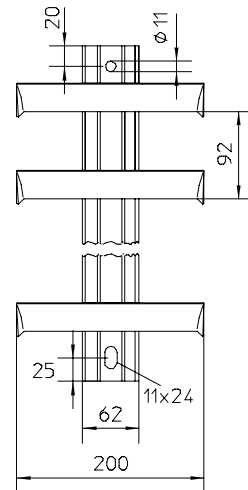
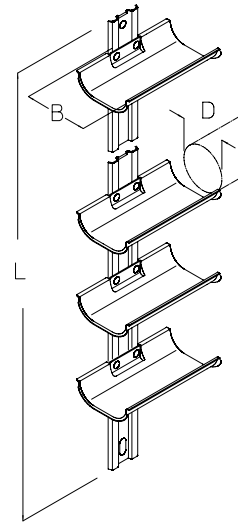
KTW-A 4-12 cable support trough, Ø 40-120 mm [H05](#)
KTW-R 10/2-10 cable support trough, Ø 100 mm [H03](#)
KTW-R 4-12/2-10 cable support trough, Ø 40-120 mm
[H04](#)

Cable support trough

KTW-R 10/2-10 cable support trough, Ø 100 mm

For an application example, see the chapter assembly.

article number	B mm	D mm	L mm	G kg
F				
KTW-R 10/2	118	100	237	1,10
KTW-R 10/3	118	100	329	1,60
KTW-R 10/4	118	100	421	2,10
KTW-R 10/5	118	100	518	2,60
KTW-R 10/6	118	100	605	3,10
KTW-R 10/7	118	100	698	3,60
KTW-R 10/8	118	100	789	4,20
KTW-R 10/9	118	100	881	4,70
KTW-R 10/10	118	100	973	5,20



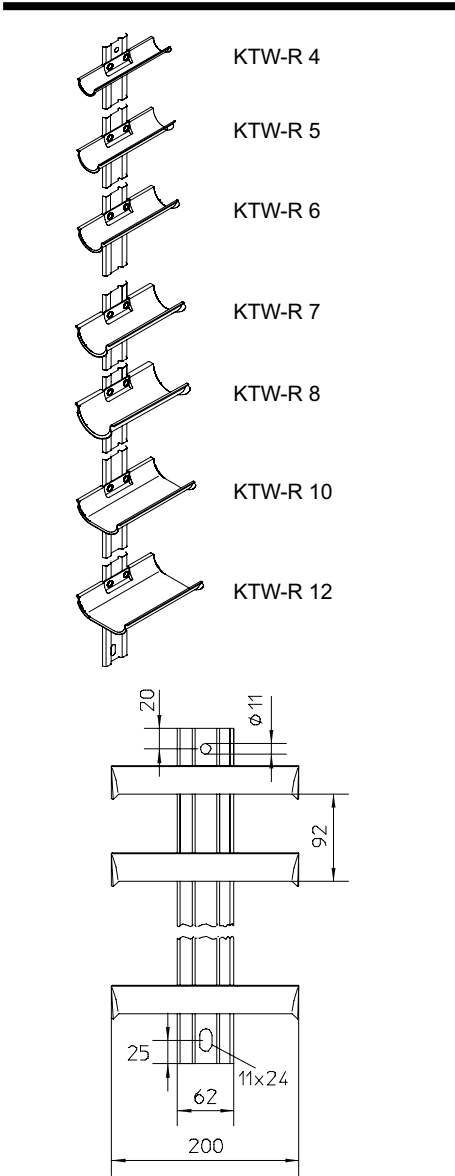
H

Cable support trough

KTW-R 4-12/2-10 cable support trough, Ø 40-120 mm

For an application example, see the chapter assembly.

article number	B mm	D mm
KTW-R 4/2-10	56	40
KTW-R 5/2-10	66	50
KTW-R 6/2-10	76	60
KTW-R 7/2-10	86	70
KTW-R 8/2-10	97	80
KTW-R 10/2-10	118	100
KTW-R 12/2-10	138	120

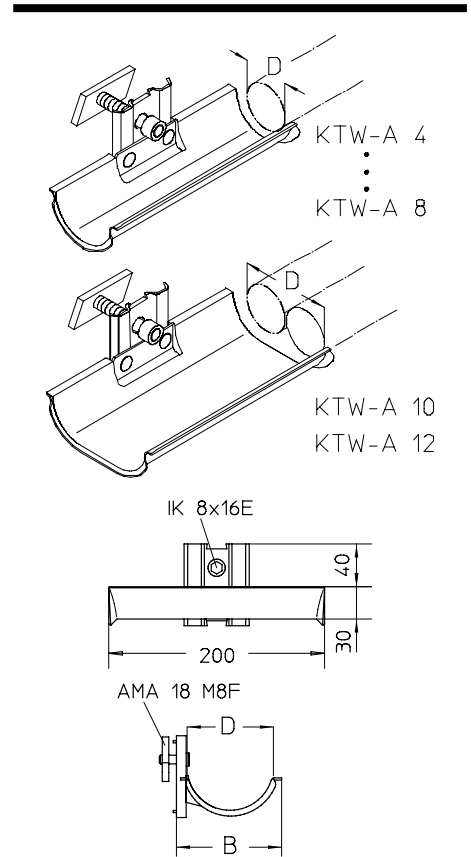


Cable support trough

KTW-A 4-12 cable support trough, Ø 40-120 mm

For an application example, see the chapter assembly.

article number	B mm	D mm	G kg
F			
KTW-A 4	56	40	0,30
KTW-A 5	66	50	0,32
KTW-A 6	76	60	0,35
KTW-A 7	86	70	0,39
KTW-A 8	96	80	0,44
KTW-A 10	118	100	0,48
KTW-A 12	138	120	0,55



H