



Wide-span systems

Wide-span systems	D03-D06
Fittings	D07-D14
Cover	D15-D19
Accessories	D20-D29



Numeric index

Wide-span systems

E

EBW Corner fixing [D20](#)

K

KZF cold zinc paint [D29](#)

KZS cold zinc spray [D29](#)

S

SKLL clamping claw [D23](#)

SWP protection end cap [D28](#)

V

VB connection plate [D28](#)

W

WPAD wide-span branch-piece cover [D18](#)

WP-AH spacer sleeve [D16](#)

WPBD wide-span bend cover [D17](#)

WPD wide-span cover [D15](#)

WPD-A cover elevator [D15](#)

WPD-K cover clamp [D15](#)

WPDFD wide-span outside riser cover [D18](#)

WPFDK fitting cover hook clip [D16](#)

WPFDKA fitting cover hook clip, elevated [D16](#)

WPHS-A flange mounting clamp (C-profiles) [D22](#)

WPHS-IS isolation strip [D23](#)

WPHS-K flange mounting clamp (brackets) [D21](#)

WPHS-P flange mounting clamp (profiles) [D22](#)

WPKAB end plate [D27](#)

WPKD wide-span cross-piece cover [D19](#)

WPL 120 wide-span cable ladder, height=120 mm [D03](#)

WPL 150 wide-span cable ladder, height=150 mm [D04](#)

WPLA 120 wide-span branch-piece, height=120 mm

[D09](#)

WPLA 150 wide-span branch-piece, height=150 mm

[D10](#)

WPLAA 120 wide-span attachment branch-piece,

height=120 mm [D10](#)

WPLAA 150 wide-span attachment branch-piece,

height=150 mm [D10](#)

WPLB 120 wide-span bend, height=120 mm [D07](#)

WPLB 150 wide-span bend, height=150 mm [D07](#)

WPLF 120 wide-span outside riser, height=120 mm

[D09](#)

WPLF 150 wide-span outside riser, height=150 mm

[D09](#)

WPLK 120 wide-span cross-piece, height=120 mm

[D11](#)

WPLK 150 wide-span cross-piece, height=150 mm

[D11](#)

WPLS 120 wide-span inside riser, height=120 mm [D08](#)

WPLS 150 wide-span inside riser, height=150 mm [D08](#)

WPR 120 wide-span cable tray, height=120 mm [D05](#)

WPR 150 wide-span cable tray, height=150 mm [D05](#)

WPRA 120 wide-span cable tray branch-piece,

height=120 mm [D12](#)

WPRA 150 wide-span cable tray branch-piece,

height=150 mm [D13](#)

WPRAA 120 wide-span cable tray attachment branch-

piece, height=120 mm [D13](#)

WPRAA 150 wide-span cable tray attachment branch-

piece, height=150 mm [D13](#)

WPRB 120 wide-span cable tray bend, height=120 mm

[D12](#)

WPRB 150 wide-span cable tray bend, height=150 mm

[D12](#)

WPREB end plate [D28](#)

WPRK 120 wide-span cross-piece, height=120 mm

[D14](#)

WPRK 150 wide-span cross-piece, height=150 mm

[D14](#)

WPSD wide-span inside riser cover [D17](#)

WPTR 120 wide-span barrier strip, height=80 mm [D26](#)

WPTR 150 wide-span barrier strip, height=100 mm [D27](#)

WPV 120 wide-span coupler, height=120 mm [D23](#)

WPV 150 wide-span coupler, height=150 mm [D24](#)

WPVH 120 wide-span coupler, height=120 mm [D24](#)

WPVH 150 wide-span coupler, height=150 mm [D25](#)

WPVV 120 wide-span coupler, height=120 mm [D25](#)

WPVV 150 wide-span coupler, height=150 mm [D26](#)

Wide-span systems

WPL 120 wide-span cable ladder, height=120 mm

This article is only available in stainless steel finish with a side rail height of 100mm, material No. 1.4301 (V2A), as well as 1.4571 / 1.4404 (V4A).

For a load diagram, see the chapter planning.

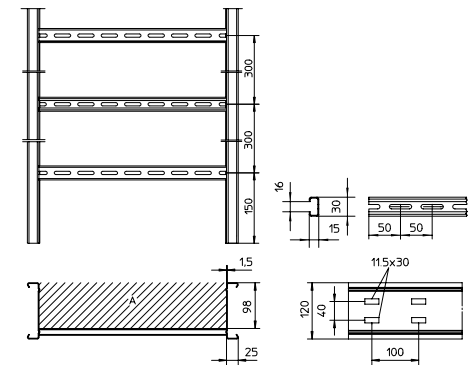
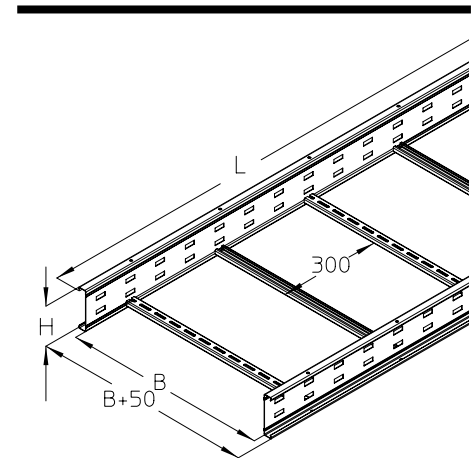
For assembly instructions, see the chapter assembly.



article number	H mm	B mm	L mm	A cm ²	Q _{SK} kN/m	Q _{LK} kN/m	G kg
S							
WPL 120-20S	120	200	6000	196	0,29	0,55	27,35
WPL 120-30S	120	300	6000	294	0,44	0,82	28,72
WPL 120-40S	120	400	6000	392	0,59	1,10	30,10
WPL 120-50S	120	500	6000	490	0,74	1,37	31,47
WPL 120-60S	120	600	6000	588	0,88	1,65	32,84
F							
WPL 120-20F	120	200	6000	196	0,29	0,55	29,22
WPL 120-30F	120	300	6000	294	0,44	0,82	30,69
WPL 120-40F	120	400	6000	392	0,59	1,10	32,16
WPL 120-50F	120	500	6000	490	0,74	1,37	33,63
WPL 120-60F	120	600	6000	588	0,88	1,65	35,10

accessories optional:

WPLB 120	wide-span bend, height=120 mm	(page D07)
WPLS 120	wide-span inside riser, height=120 mm	(page D08)
WPLF 120	wide-span outside riser, height=120 mm	(page D09)
WPLA 120	wide-span branch-piece, height=120 mm	(page D09)
WPLAA 120	wide-span attachment branch-piece, height=120 mm	(page D10)
WPLK 120	wide-span cross-piece, height=120 mm	(page D11)
WPV 120	wide-span coupler, height=120 mm	(page D23)
WPVH 120	wide-span coupler, height=120 mm	(page D24)
WPVV 120	wide-span coupler, height=120 mm	(page D25)
WPTR 120	wide-span barrier strip, height=80 mm	(page D26)
WPHS-A	flange mounting clamp (C-profiles)	(page D22)
WPHS-K	flange mounting clamp (brackets)	(page D21)
WPHS-P	flange mounting clamp (profiles)	(page D22)
WPHS-IS	isolation strip	(page D23)
WPKAB	end plate	(page D27)
H	cable clamp for fastening to C-profiles	(catalogue cable clamps)



Wide-span systems

WPL 150 wide-span cable ladder, height=150 mm

This article is also available made in stainless steel finish, material No. 1.4571 / 1.4404 (V4A).

For a load diagram, see the chapter planning.

For an application example, see the chapter assembly.

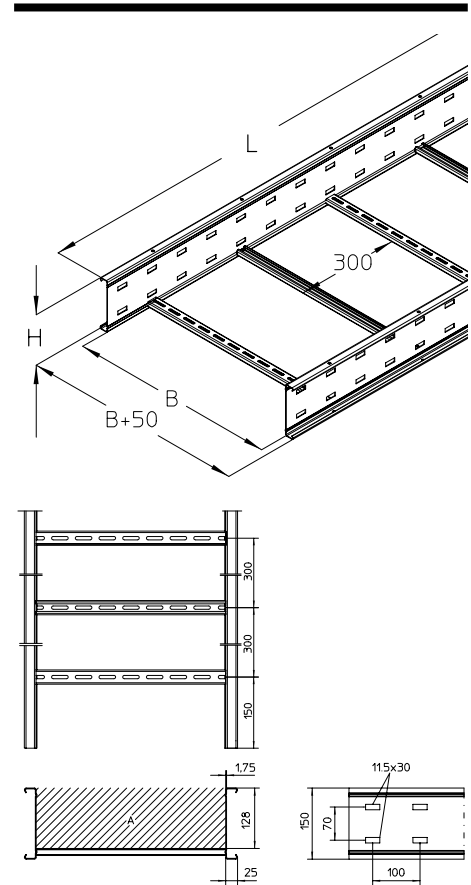
For assembly instructions, see the chapter assembly.



article number	H mm	B mm	L mm	A cm ²	Q _{LK} kN/m	G kg
S						
WPL 150-20S	150	200	6000	256	0,72	36,06
WPL 150-30S	150	300	6000	384	1,08	37,43
WPL 150-40S	150	400	6000	512	1,43	38,80
WPL 150-50S	150	500	6000	640	1,79	40,18
WPL 150-60S	150	600	6000	768	2,15	41,55
F						
WPL 150-20F	150	200	6000	256	0,72	38,58
WPL 150-30F	150	300	6000	384	1,08	40,05
WPL 150-40F	150	400	6000	512	1,43	41,52
WPL 150-50F	150	500	6000	640	1,79	42,99
WPL 150-60F	150	600	6000	768	2,15	44,46
E						
WPL 150-20E	150	200	6000	256	0,72	37,25
WPL 150-30E	150	300	6000	384	1,08	38,63
WPL 150-40E	150	400	6000	512	1,43	40,02
WPL 150-50E	150	500	6000	640	1,79	41,40
WPL 150-60E	150	600	6000	768	2,15	42,78

accessories optional:

WPLB 150	wide-span bend, height=150 mm	(page D07)
WPLS 150	wide-span inside riser, height=150 mm	(page D08)
WPLF 150	wide-span outside riser, height=150 mm	(page D09)
WPLA 150	wide-span branch-piece, height=150 mm	(page D10)
WPLAA 150	wide-span attachment branch-piece, height=150 mm	(page D10)
WPLK 150	wide-span cross-piece, height=150 mm	(page D11)
WPV 150	wide-span coupler, height=150 mm	(page D24)
WPVH 150	wide-span coupler, height=150 mm	(page D25)
WPVV 150	wide-span coupler, height=150 mm	(page D26)
WPTR 150	wide-span barrier strip, height=100 mm	(page D27)
WPHS-A	flange mounting clamp (C-profiles)	(page D22)
WPHS-K	flange mounting clamp (brackets)	(page D21)
WPHS-P	flange mounting clamp (profiles)	(page D22)
WPHS-IS	isolation strip	(page D23)
WPKAB	end plate	(page D27)
H	cable clamp for fastening to C-profiles	(catalogue cable clamps)



Wide-span systems

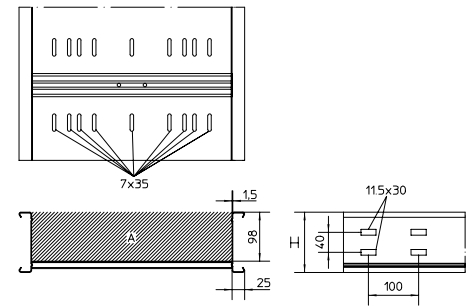
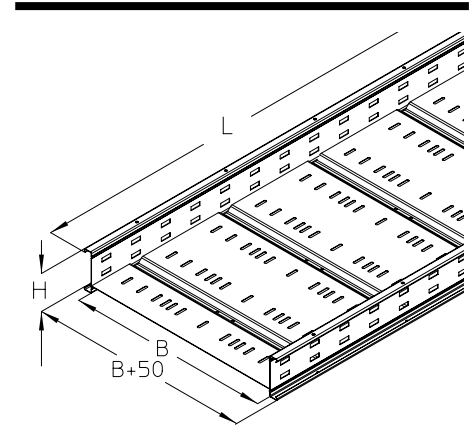
WPR 120 wide-span cable tray, height=120 mm

For a load diagram, see the chapter planning.
For assembly instructions, see the chapter assembly.

article number	H mm	B mm	L mm	A cm ²	Q _{SK} kN/m	Q _{LK} kN/m	G kg
S							
WPR 120-20S	120	200	6000	196	0,29	0,55	36,42
WPR 120-30S	120	300	6000	294	0,44	0,82	42,10
WPR 120-40S	120	400	6000	392	0,59	1,10	47,96
WPR 120-50S	120	500	6000	490	0,74	1,37	53,84
WPR 120-60S	120	600	6000	588	0,88	1,65	59,70
F							
WPR 120-20F	120	200	6000	196	0,29	0,55	38,97
WPR 120-30F	120	300	6000	294	0,44	0,82	45,05
WPR 120-40F	120	400	6000	392	0,59	1,10	51,32
WPR 120-50F	120	500	6000	490	0,74	1,37	57,61
WPR 120-60F	120	600	6000	588	0,88	1,65	63,88

accessories optional:

WPRK 120	wide-span cross-piece, height=120 mm	(page D14)
WPV 120	wide-span coupler, height=120 mm	(page D23)
WPHV 120	wide-span coupler, height=120 mm	(page D24)
WPVV 120	wide-span coupler, height=120 mm	(page D25)
WPTR 120	wide-span barrier strip, height=80 mm	(page D26)
WPHS-A	flange mounting clamp (C-profiles)	(page D22)
WPHS-K	flange mounting clamp (brackets)	(page D21)
WPHS-P	flange mounting clamp (profiles)	(page D22)
WPHS-IS	isolation strip	(page D23)
WPREB	end plate	(page D28)
WPRB 120	wide-span cable tray bend, height=120 mm	(page D12)
WPRA 120	wide-span cable tray branch-piece, height=120 mm	(page D12)
WPRAA 120	wide-span cable tray attachment branch-piece, height=120 mm	(page D13)
VB	connection plate	(page B39, D28)



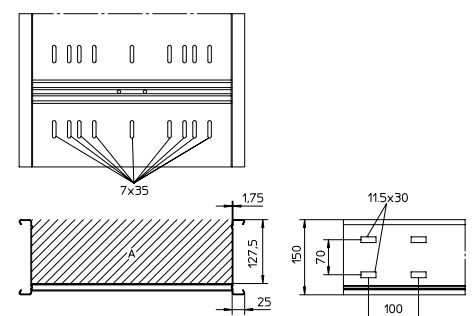
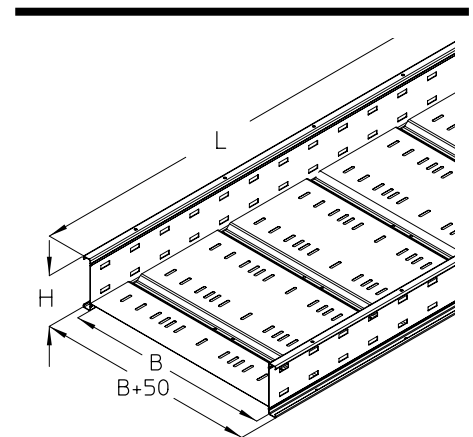
WPR 150 wide-span cable tray, height=150 mm

This article is also available made in stainless steel finish, material No. 1.4571 / 1.4404 (V4A).
For a load diagram, see the chapter planning.
For an application example, see the chapter assembly.
For assembly instructions, see the chapter assembly.

article number	H mm	B mm	L mm	A cm ²	Q _{SK} kN/m	G kg
S						
WPR 150-20S	150	200	6000	256	0,38	42,81
WPR 150-30S	150	300	6000	384	0,58	47,39
WPR 150-40S	150	400	6000	512	0,77	52,11
WPR 150-50S	150	500	6000	640	0,96	56,85
WPR 150-60S	150	600	6000	768	1,15	61,57

accessories optional:

WPRK 150	wide-span cross-piece, height=150 mm	(page D14)
WPV 150	wide-span coupler, height=150 mm	(page D24)
WPHV 150	wide-span coupler, height=150 mm	(page D25)
WPVV 150	wide-span coupler, height=150 mm	(page D26)
WPTR 150	wide-span barrier strip, height=100 mm	(page D27)
WPHS-A	flange mounting clamp (C-profiles)	(page D22)
WPHS-K	flange mounting clamp (brackets)	(page D21)
WPHS-P	flange mounting clamp (profiles)	(page D22)
WPHS-IS	isolation strip	(page D23)
WPREB	end plate	(page D28)
WPRB 150	wide-span cable tray bend, height=150 mm	(page D12)
WPRA 150	wide-span cable tray branch-piece, height=150 mm	(page D13)
WPRAA 150	wide-span cable tray attachment branch-piece, height=150 mm	(page D13)
VB	connection plate	(page B39, D28)



Wide-span systems

WPR 150 wide-span cable tray, height=150 mm

This article is also available made in stainless steel finish, material No. 1.4571 / 1.4404 (V4A).

For a load diagram, see the chapter planning.

For an application example, see the chapter assembly.

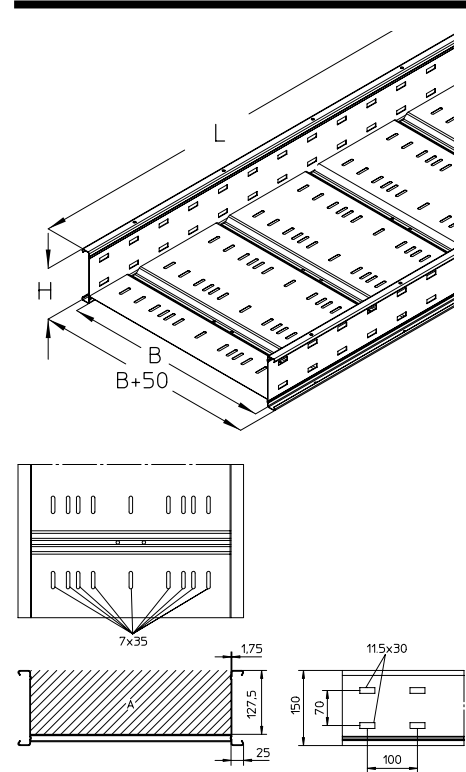
For assembly instructions, see the chapter assembly.



article number	H mm	B mm	L mm	A cm ²	Q _{SK} kN/m	G kg
F						
WPR 150-20F	150	200	6000	256	0,38	45,81
WPR 150-30F	150	300	6000	384	0,58	50,71
WPR 150-40F	150	400	6000	512	0,77	55,76
WPR 150-50F	150	500	6000	640	0,96	60,83
WPR 150-60F	150	600	6000	768	1,15	65,88

accessories optional:

WPRK 150	wide-span cross-piece, height=150 mm	(page D14)
WPV 150	wide-span coupler, height=150 mm	(page D24)
WPVH 150	wide-span coupler, height=150 mm	(page D25)
WPVV 150	wide-span coupler, height=150 mm	(page D26)
WPTR 150	wide-span barrier strip, height=100 mm	(page D27)
WPHS-A	flange mounting clamp (C-profiles)	(page D22)
WPHS-K	flange mounting clamp (brackets)	(page D21)
WPHS-P	flange mounting clamp (profiles)	(page D22)
WPHS-IS	isolation strip	(page D23)
WPREB	end plate	(page D28)
WPRB 150	wide-span cable tray bend, height=150 mm	(page D12)
WPRA 150	wide-span cable tray branch-piece, height=150 mm	(page D13)
WPRAA 150	wide-span cable tray attachment branch-piece, height=150 mm	(page D13)
VB	connection plate	(page B39, D28)



Wide-span systems

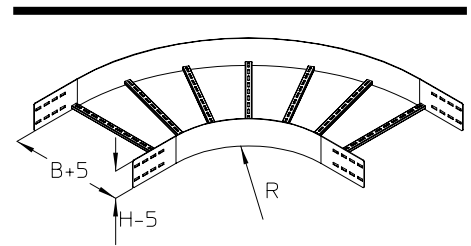
Fittings

WPLB 120 wide-span bend, height=120 mm

Formed components must be supported at all sides. This article is only available in stainless steel finish with a side rail height of 100mm, material No. 1.4301 (V2A), as well as 1.4571 / 1.4404 (V4A).
For an application example, see the chapter assembly.

article number	H mm	B mm	R mm	G kg
F				
WPLB 120-20F	120	200	450	8,85
WPLB 120-30F	120	300	450	9,68
WPLB 120-40F	120	400	450	10,80
WPLB 120-50F	120	500	450	12,07
WPLB 120-60F	120	600	450	13,04

accessories included:
8 x **KLS 10x20F** fixing set (page G34)

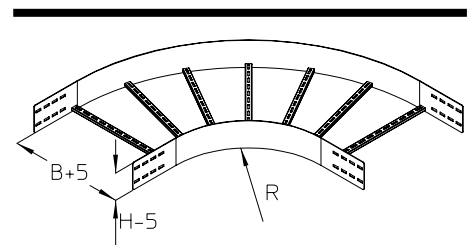


WPLB 150 wide-span bend, height=150 mm

Formed components must be supported at all sides. This article is also available made in stainless steel finish, material No. 1.4571 / 1.4404 (V4A).
For an application example, see the chapter assembly.

article number	H mm	B mm	R mm	G kg
F				
WPLB 150-20F	150	200	450	10,97
WPLB 150-30F	150	300	450	11,19
WPLB 150-40F	150	400	450	13,14
WPLB 150-50F	150	500	450	14,53
WPLB 150-60F	150	600	450	15,62

accessories included:
8 x **KLS 10x20F** fixing set (page G34)



article number	H mm	B mm	R mm	G kg
E				
WPLB 150-20E	150	200	450	10,31
WPLB 150-30E	150	300	450	11,20
WPLB 150-40E	150	400	450	12,36
WPLB 150-50E	150	500	450	13,67
WPLB 150-60E	150	600	450	14,67

accessories included:
8 x **KLS 10x20E** fixing set (page G34)

Wide-span systems

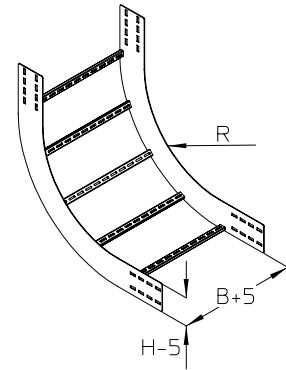
Fittings

WPLS 120 wide-span inside riser, height=120 mm

Formed components must be supported at all sides. This article is only available in stainless steel finish with a side rail height of 100mm, material No. 1.4301 (V2A), as well as 1.4571 / 1.4404 (V4A).
For an application example, see the chapter assembly.

article number	H mm	B mm	R mm	G kg
F				
WPLS 120-20F	120	200	450	7,79
WPLS 120-30F	120	300	450	8,09
WPLS 120-40F	120	400	450	8,38
WPLS 120-50F	120	500	450	8,67
WPLS 120-60F	120	600	450	8,97

accessories included:
8 x **KLS 10x20F** fixing set (page G34)

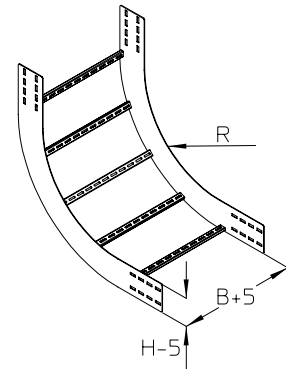


WPLS 150 wide-span inside riser, height=150 mm

Formed components must be supported at all sides. This article is also available made in stainless steel finish, material No. 1.4571 / 1.4404 (V4A).
For an application example, see the chapter assembly.

article number	H mm	B mm	R mm	G kg
F				
WPLS 150-20F	150	200	450	10,34
WPLS 150-30F	150	300	450	10,71
WPLS 150-40F	150	400	450	11,08
WPLS 150-50F	150	500	450	11,45
WPLS 150-60F	150	600	450	11,81

accessories included:
8 x **KLS 10x20F** fixing set (page G34)



article number	H mm	B mm	R mm	G kg
E				
WPLS 150-20E	150	200	450	9,73
WPLS 150-30E	150	300	450	10,07
WPLS 150-40E	150	400	450	10,42
WPLS 150-50E	150	500	450	10,76
WPLS 150-60E	150	600	450	11,11

accessories included:
8 x **KLS 10x20E** fixing set (page G34)

Wide-span systems

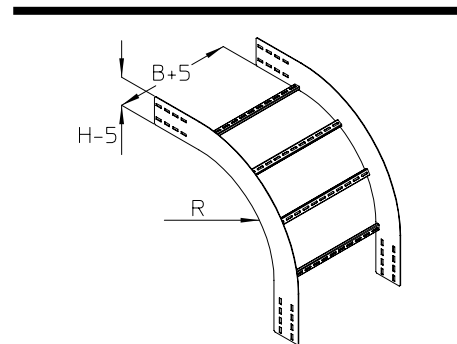
Fittings

WPLF 120 wide-span outside riser, height=120 mm

Formed components must be supported at all sides. This article is only available in stainless steel finish with a side rail height of 100mm, material No. 1.4301 (V2A), as well as 1.4571 / 1.4404 (V4A).
For an application example, see the chapter assembly.

article number	H mm	B mm	R mm	G kg
F				
WPLF 120-20F	120	200	450	8,47
WPLF 120-30F	120	300	450	8,77
WPLF 120-40F	120	400	450	9,06
WPLF 120-50F	120	500	450	9,35
WPLF 120-60F	120	600	450	9,65

accessories included:
8 x **KLS 10x20F** fixing set (page G34)

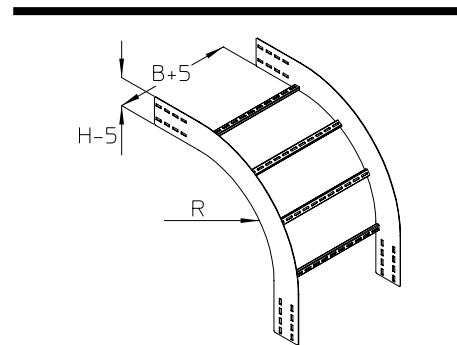


WPLF 150 wide-span outside riser, height=150 mm

Formed components must be supported at all sides. This article is also available made in stainless steel finish, material No. 1.4571 / 1.4404 (V4A).
For an application example, see the chapter assembly.

article number	H mm	B mm	R mm	G kg
F				
WPLF 150-20F	150	200	450	12,07
WPLF 150-30F	150	300	450	12,43
WPLF 150-40F	150	400	450	12,80
WPLF 150-50F	150	500	450	13,17
WPLF 150-60F	150	600	450	13,53

accessories included:
8 x **KLS 10x20F** fixing set (page G34)



article number	H mm	B mm	R mm	G kg
E				
WPLF 150-20E	150	200	450	11,65
WPLF 150-30E	150	300	450	12,00
WPLF 150-40E	150	400	450	12,35
WPLF 150-50E	150	500	450	12,69
WPLF 150-60E	150	600	450	13,04

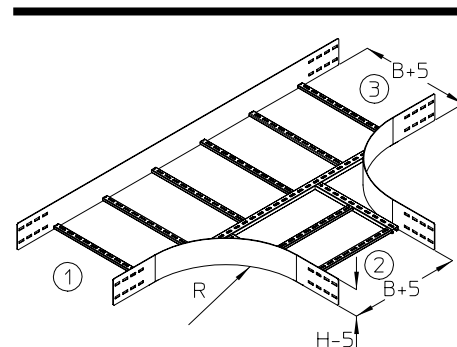
accessories included:
8 x **KLS 10x20E** fixing set (page G34)

WPLA 120 wide-span branch-piece, height=120 mm

Formed components must be supported at all sides. This article is only available in stainless steel finish with a side rail height of 100mm, material No. 1.4301 (V2A), as well as 1.4571 / 1.4404 (V4A).
For an application example, see the chapter assembly.

article number	H mm	B mm	R mm	G kg
F				
WPLA 120-20F	120	200	450	15,91
WPLA 120-30F	120	300	450	16,99
WPLA 120-40F	120	400	450	17,95
WPLA 120-50F	120	500	450	18,91
WPLA 120-60F	120	600	450	20,29

accessories included:
12 x **KLS 10x20F** fixing set (page G34)



Wide-span systems

Fittings

WPLA 150 wide-span branch-piece, height=150 mm

Formed components must be supported at all sides. This article is also available made in stainless steel finish, material No. 1.4571 / 1.4404 (V4A).

For an application example, see the chapter assembly.

article number	H mm	B mm	R mm	G kg
F				
WPLA 150-20F	150	200	450	18,99
WPLA 150-30F	150	300	450	20,14
WPLA 150-40F	150	400	450	21,18
WPLA 150-50F	150	500	450	22,21
WPLA 150-60F	150	600	450	23,66

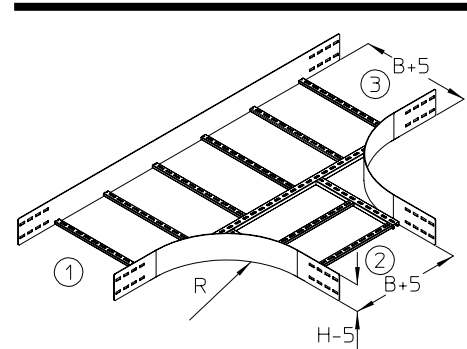
accessories included:

12 x **KLS 10x20F** fixing set (page G34)

article number	H mm	B mm	R mm	G kg
E				
WPLA 150-20E	150	200	450	17,90
WPLA 150-30E	150	300	450	1,99
WPLA 150-40E	150	400	450	19,97
WPLA 150-50E	150	500	450	20,94
WPLA 150-60E	150	600	450	22,31

accessories included:

12 x **KLS 10x20E** fixing set (page G34)



WPLAA 120 wide-span attachment branch-piece, height=120 mm

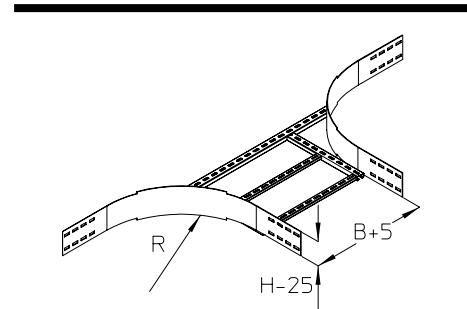
Formed components must be supported at all sides. This article is only available in stainless steel finish with a side rail height of 100mm, material No. 1.4301 (V2A), as well as 1.4571 / 1.4404 (V4A).

For an application example, see the chapter assembly.

article number	H mm	B mm	R mm	G kg
F				
WPLAA 120-20F	120	200	450	8,16
WPLAA 120-30F	120	300	450	8,43
WPLAA 120-40F	120	400	450	8,71
WPLAA 120-50F	120	500	450	8,99
WPLAA 120-60F	120	600	450	9,26

accessories included:

8 x **KLS 10x20F** fixing set (page G34)



WPLAA 150 wide-span attachment branch-piece, height=150 mm

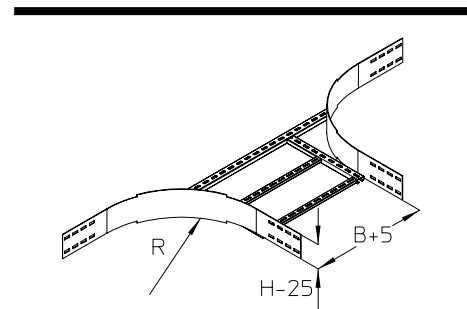
Formed components must be supported at all sides. This article is also available made in stainless steel finish, material No. 1.4571 / 1.4404 (V4A).

For an application example, see the chapter assembly.

article number	H mm	B mm	R mm	G kg
F				
WPLAA 150-20F	150	200	450	9,94
WPLAA 150-30F	150	300	450	10,24
WPLAA 150-40F	150	400	450	10,54
WPLAA 150-50F	150	500	450	10,84
WPLAA 150-60F	150	600	450	11,14

accessories included:

8 x **KLS 10x20F** fixing set (page G34)



Wide-span systems

Fittings

WPLAA 150 wide-span attachment branch-piece, height=150 mm

Formed components must be supported at all sides. This article is also available made in stainless steel finish, material No. 1.4571 / 1.4404 (V4A).

For an application example, see the chapter assembly.

article number	H mm	B mm	R mm	G kg
E				
WPLAA 150-20E	150	200	450	9,37
WPLAA 150-30E	150	300	450	9,66
WPLAA 150-40E	150	400	450	9,94
WPLAA 150-50E	150	500	450	10,23
WPLAA 150-60E	150	600	450	10,51

accessories included:

8 x **KLS 10x20E** fixing set (page G34)

WPLK 120 wide-span cross-piece, height=120 mm

Formed components must be supported at all sides. This article is only available in stainless steel finish with a side rail height of 100mm, material No. 1.4301 (V2A), as well as 1.4571 / 1.4404 (V4A).

For an application example, see the chapter assembly.

article number	H mm	B mm	R mm	G kg
F				
WPLK 120-20F	120	200	450	21,70
WPLK 120-30F	120	300	450	22,76
WPLK 120-40F	120	400	450	23,73
WPLK 120-50F	120	500	450	24,70
WPLK 120-60F	120	600	450	26,05

accessories included:

16 x **KLS 10x20F** fixing set (page G34)

WPLK 150 wide-span cross-piece, height=150 mm

Formed components must be supported at all sides. This article is also available made in stainless steel finish, material No. 1.4571 / 1.4404 (V4A).

For an application example, see the chapter assembly.

article number	H mm	B mm	R mm	G kg
F				
WPLK 150-20F	150	200	450	25,42
WPLK 150-30F	150	300	450	26,48
WPLK 150-40F	150	400	450	27,45
WPLK 150-50F	150	500	450	28,42
WPLK 150-60F	150	600	450	29,78

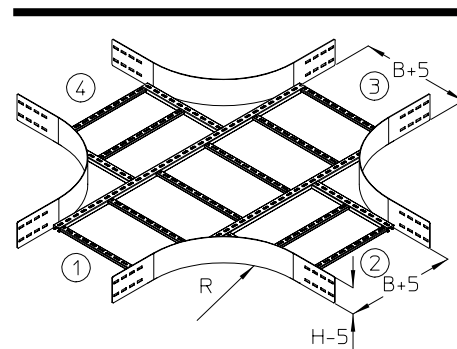
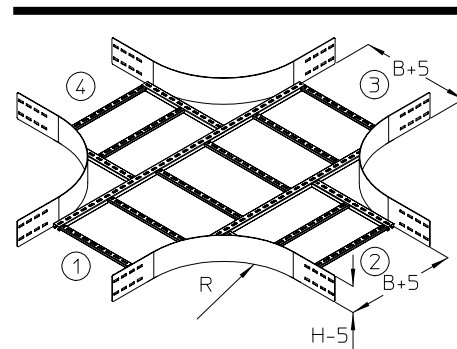
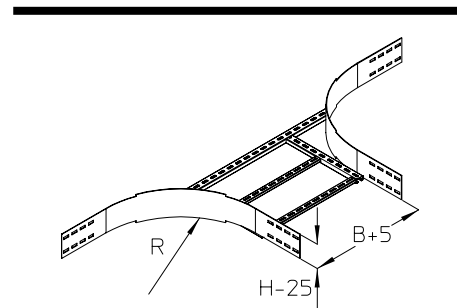
accessories included:

16 x **KLS 10x20F** fixing set (page G34)

article number	H mm	B mm	R mm	G kg
E				
WPLK 150-20E	150	200	450	24,00
WPLK 150-30E	150	300	450	25,00
WPLK 150-40E	150	400	450	25,92
WPLK 150-50E	150	500	450	26,84
WPLK 150-60E	150	600	450	28,12

accessories included:

16 x **KLS 10x20E** fixing set (page G34)



Wide-span systems

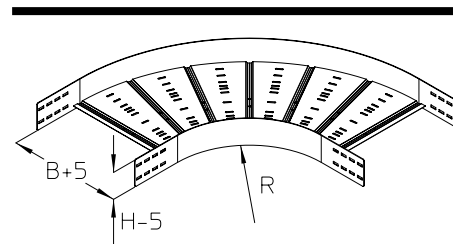
Fittings

WPRB 120 wide-span cable tray bend, height=120 mm

Formed components must be supported at all sides.
For an application example, see the chapter assembly.

article number	H mm	B mm	R mm	G kg
F				
WPRB 120-20F	120	200	450	9,47
WPRB 120-30F	120	300	450	10,91
WPRB 120-40F	120	400	450	12,51
WPRB 120-50F	120	500	450	14,24
WPRB 120-60F	120	600	450	16,09

accessories included:
8 x **KLS 10x20F** fixing set (page G34)

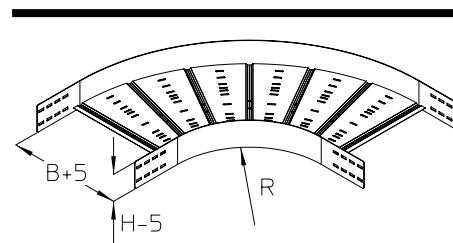


WPRB 150 wide-span cable tray bend, height=150 mm

Formed components must be supported at all sides. This article is also available made in stainless steel finish, material No. 1.4571 / 1.4404 (V4A).
For an application example, see the chapter assembly.

article number	H mm	B mm	R mm	G kg
F				
WPRB 150-20F	150	200	450	11,51
WPRB 150-30F	150	300	450	13,15
WPRB 150-40F	150	400	450	14,86
WPRB 150-50F	150	500	450	16,71
WPRB 150-60F	150	600	450	18,68

accessories included:
8 x **KLS 10x20F** fixing set (page G34)

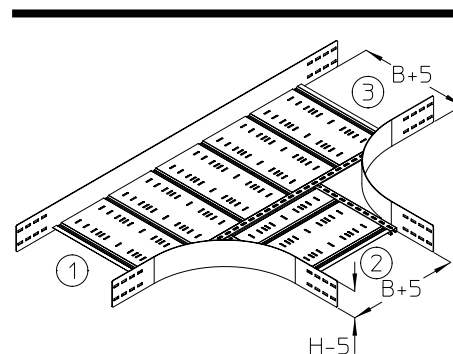


WPRA 120 wide-span cable tray branch-piece, height=120 mm

Formed components must be supported at all sides.
For an application example, see the chapter assembly.

article number	H mm	B mm	G kg
F			
WPRA 120-20F	120	200	17,00
WPRA 120-30F	120	300	19,01
WPRA 120-40F	120	400	21,18
WPRA 120-50F	120	500	23,53
WPRA 120-60F	120	600	33,29

accessories included:
12 x **KLS 10x20F** fixing set (page G34)



Wide-span systems

Fittings

WPRA 150 wide-span cable tray branch-piece, height=150 mm

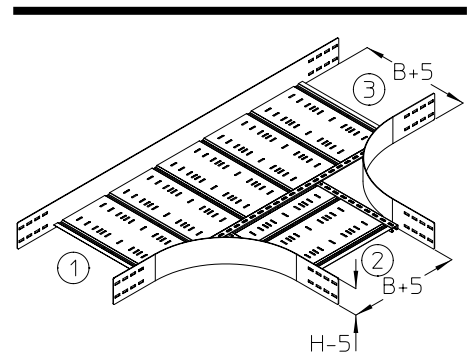
Formed components must be supported at all sides. This article is also available made in stainless steel finish, material No. 1.4571 / 1.4404 (V4A).

For an application example, see the chapter assembly.

article number	H mm	B mm	G kg
F			
WPRA 150-20F	150	200	20,11
WPRA 150-30F	150	300	22,20
WPRA 150-40F	150	400	24,43
WPRA 150-50F	150	500	26,86
WPRA 150-60F	150	600	29,45

accessories included:

12 x **KLS 10x20F** fixing set (page G34)



WPRAA 120 wide-span cable tray attachment branch-piece, height=120 mm

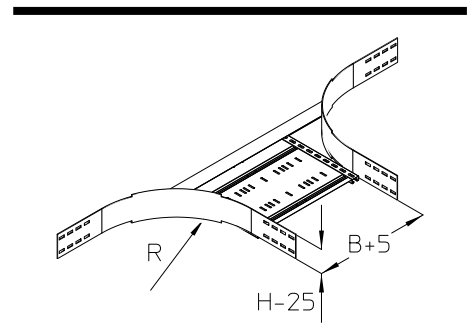
Formed components must be supported at all sides.

For an application example, see the chapter assembly.

article number	H mm	B mm	R mm	G kg
F				
WPRAA 120-20F	120	200	450	9,28
WPRAA 120-30F	120	300	450	9,76
WPRAA 120-40F	120	400	450	10,23
WPRAA 120-50F	120	500	450	10,71
WPRAA 120-60F	120	600	450	11,45

accessories included:

8 x **KLS 10x20F** fixing set (page G34)



WPRAA 150 wide-span cable tray attachment branch-piece, height=150 mm

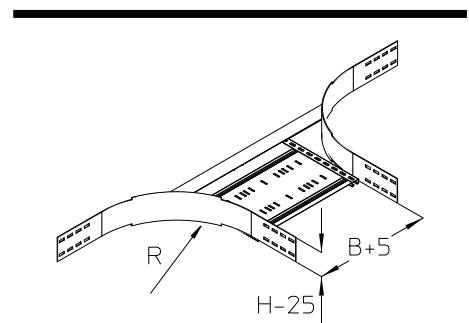
Formed components must be supported at all sides. This article is also available made in stainless steel finish, material No. 1.4571 / 1.4404 (V4A).

For an application example, see the chapter assembly.

article number	H mm	B mm	R mm	G kg
F				
WPRAA 150-20F	150	200	450	11,15
WPRAA 150-30F	150	300	450	11,63
WPRAA 150-40F	150	400	450	12,10
WPRAA 150-50F	150	500	450	12,58
WPRAA 150-60F	150	600	450	13,31

accessories included:

8 x **KLS 10x20F** fixing set (page G34)



Wide-span systems

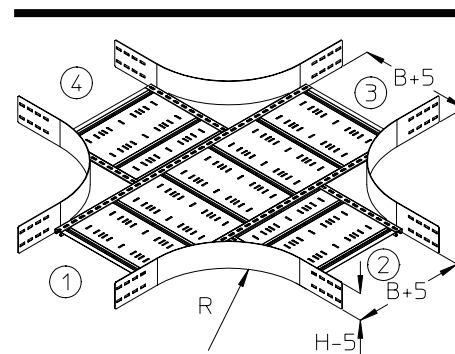
Fittings

WPRK 120 wide-span cross-piece, height=120 mm

Formed components must be supported at all sides.
For an application example, see the chapter assembly.

article number	H mm	B mm	R mm	G kg
F				
WPRK 120-20F	120	200	450	22,81
WPRK 120-30F	120	300	450	25,05
WPRK 120-40F	120	400	450	27,41
WPRK 120-50F	120	500	450	29,98
WPRK 120-60F	120	600	450	33,29

accessories included:
16 x **KLS 10x20F** fixing set (page G34)

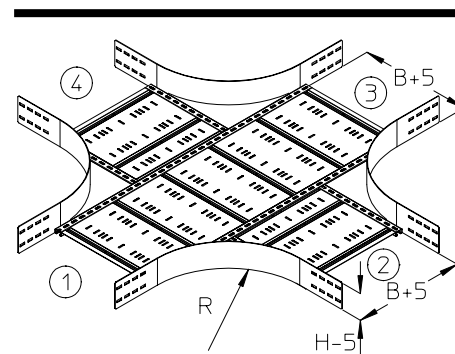


WPRK 150 wide-span cross-piece, height=150 mm

Formed components must be supported at all sides.
For an application example, see the chapter assembly.

article number	H mm	B mm	R mm	G kg
F				
WPRK 150-20F	150	200	450	26,54
WPRK 150-30F	150	300	450	28,78
WPRK 150-40F	150	400	450	31,14
WPRK 150-50F	150	500	450	33,71
WPRK 150-60F	150	600	450	37,02

accessories included:
16 x **KLS 10x20F** fixing set (page G34)



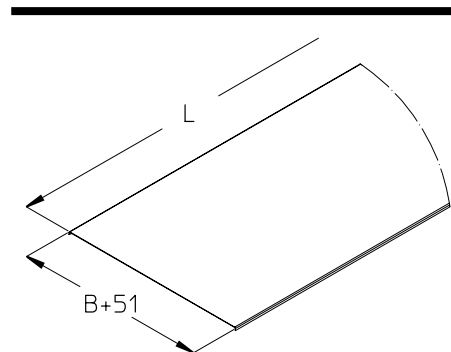
Wide-span systems

Cover

WPD wide-span cover

This article is also available made in stainless steel finish, material No. 1.4571 / 1.4404 (V4A).
For an application example, see the chapter assembly.

article number	B mm	L mm	G kg
S			
WPD 20S	200	3000	4,75
WPD 30S	300	3000	8,69
WPD 40S	400	3000	11,04
WPD 50S	500	3000	16,75
WPD 60S	600	3000	19,69
F			
WPD 20F	200	3000	5,08
WPD 30F	300	3000	9,30
WPD 40F	400	3000	11,82
WPD 50F	500	3000	17,92
WPD 60F	600	3000	21,07
E			
WPD 20E	200	3000	5,10
WPD 30E	300	3000	8,75
WPD 40E	400	3000	11,12
WPD 50E	500	3000	16,86
WPD 60E	600	3000	19,82



WPD-K cover clamp

Can also be used as storm protection angle. According to assembly instructions you should use at least 6 safety elements for each 3 meters cable path cover.
For an application example, see the chapter assembly.

article number	H mm	B mm	L mm	t mm	G kg
S					
WPD-K S	29	30	66,5	2,5	0,05

accessories included:
1 x **SES 6x20** hexagon head bolt, DIN 933 (page G37)

article number	H mm	B mm	L mm	t mm	G kg
F					
WPD-K F	29	30	66,5	2,5	0,05
E					
WPD-K E	29	30	66,5	2,5	0,05

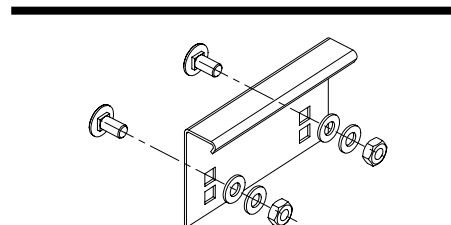
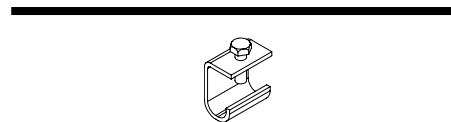
accessories included:
1 x **SES 6x20E** hexagon head bolt, DIN 933 (page G38)

WPD-A cover elevator

For an application example, see the chapter assembly.

article number	G kg
S	
WPD-A S	0,35

accessories included:
2 x **KLS 10x20** fixing set (page G34)
2 x **UVS M10** captive washer (page G40)



Wide-span systems

Cover

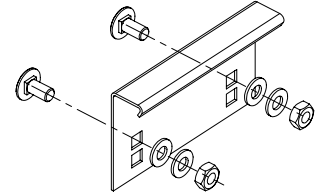
WPD-A cover elevator

For an application example, see the chapter assembly.

article number	G	kg
F		
WPD-A F	0,35	

accessories included:

2 x KLS 10x20F	fixing set	(page G34)
2 x UVS M10	captive washer	(page G40)



article number	G	kg
E		
WPD-A E	0,35	

accessories included:

2 x KLS 10x20E	fixing set	(page G34)
2 x UVS M10	captive washer	(page G40)

WPFDK fitting cover hook clip

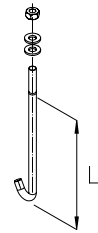
Can also be used as storm protection angle. The number of cover brackets depends on the number of holes drilled in moulded cover.

For an application example, see the chapter assembly.

article number	L	G
	mm	kg
E		
WPFDK 120E	120	0,08
WPFDK 150E	150	0,06

accessories included:

2 x US 8x17E	square washer, DIN 125	(page G40)
1 x SEM 8E	hexagon-nut, DIN 934	(page G41)



WPFDKA fitting cover hook clip, elevated

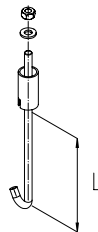
Can also be used as storm protection angle. The number of cover brackets depends on the number of holes drilled in moulded cover.

For an application example, see the chapter assembly.

article number	L	G
	mm	kg
E		
WPFDKA 120E	120	0,12
WPFDKA 150E	150	0,13

accessories included:

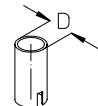
1 x US 8x17E	square washer, DIN 125	(page G40)
1 x SEM 8E	hexagon-nut, DIN 934	(page G41)
1 x WP-AH E	spacer sleeve	(page D16)



WP-AH spacer sleeve

For an application example, see the chapter assembly.

article number	D	G
	mm	kg
E		
WP-AH E	21,3	0,03



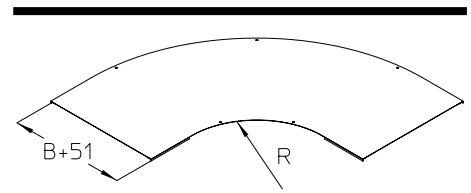
Wide-span systems

Cover

WPBD wide-span bend cover

This article is also available made in stainless steel finish, material No. 1.4571 / 1.4404 (V4A).
For an application example, see the chapter assembly.

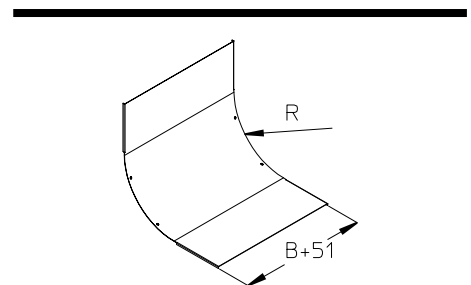
article number	B mm	R mm	G kg
S			
WPBD 20S	200	450	2,09
WPBD 30S	300	450	4,07
WPBD 40S	400	450	5,50
WPBD 50S	500	450	8,79
WPBD 60S	600	450	10,86
F			
WPBD 20F	200	450	2,24
WPBD 30F	300	450	4,36
WPBD 40F	400	450	5,88
WPBD 50F	500	450	9,40
WPBD 60F	600	450	11,62
E			
WPBD 20E	200	450	2,09
WPBD 30E	300	450	4,07
WPBD 40E	400	450	5,50
WPBD 50E	500	450	8,79
WPBD 60E	600	450	10,86



WPSD wide-span inside riser cover

If the cover is to be mounted elevated, this must be mentioned separately in your order, e.g. WPFDA ("A" - German "aufgeständert" means elevated) This article is also available made in stainless steel finish, material No. 1.4571 / 1.4404 (V4A).

article number	B mm	R mm	G kg
S			
WPSD 20S	200	450	1,91
WPSD 30S	300	450	3,50
WPSD 40S	400	450	4,48
WPSD 50S	500	450	6,81
WPSD 60S	600	450	8,03
F			
WPSD 20F	200	450	2,04
WPSD 30F	300	450	3,75
WPSD 40F	400	450	4,79
WPSD 50F	500	450	7,29
WPSD 60F	600	450	8,59
E			
WPSD 20E	200	450	1,91
WPSD 30E	300	450	3,50
WPSD 40E	400	450	4,48
WPSD 50E	500	450	6,81
WPSD 60E	600	450	8,03



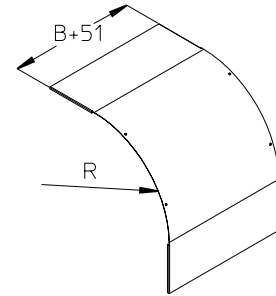
Wide-span systems

Cover

WPFD wide-span outside riser cover

If the cover is to be mounted elevated, this must be mentioned separately in your order, e.g. WPFDA ("A" - German "aufgeständert" means elevated) This article is also available made in stainless steel finish, material No. 1.4571 / 1.4404 (V4A).

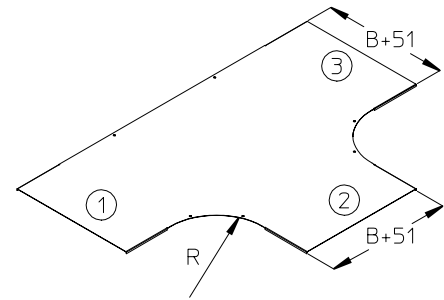
article number	B mm	R mm	G kg
S			
WPFD 20S	200	450	2,24
WPFD 30S	300	450	4,14
WPFD 40S	400	450	5,29
WPFD 50S	500	450	8,06
WPFD 60S	600	450	9,50
F			
WPFD 20F	200	450	2,40
WPFD 30F	300	450	4,43
WPFD 40F	400	450	5,66
WPFD 50F	500	450	8,62
WPFD 60F	600	450	10,16
E			
WPFD 20E	200	450	2,24
WPFD 30E	300	450	4,14
WPFD 40E	400	450	5,29
WPFD 50E	500	450	8,06
WPFD 60E	600	450	9,50



WPAD wide-span branch-piece cover

This article is also available made in stainless steel finish, material No. 1.4571 / 1.4404 (V4A). For an application example, see the chapter assembly.

article number	B mm	R mm	G kg
S			
WPAD 20S	200	450	3,94
WPAD 30S	300	450	7,36
WPAD 40S	400	450	9,63
WPAD 50S	500	450	15,06
WPAD 60S	600	450	18,27
F			
WPAD 20F	200	450	4,22
WPAD 30F	300	450	7,88
WPAD 40F	400	450	10,30
WPAD 50F	500	450	16,11
WPAD 60F	600	450	19,55
E			
WPAD 20E	200	450	3,94
WPAD 30E	300	450	7,36
WPAD 40E	400	450	9,63
WPAD 50E	500	450	15,06
WPAD 60E	600	450	18,27



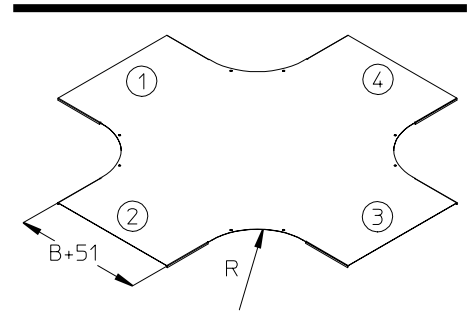
Wide-span systems

Cover

WPKD wide-span cross-piece cover

This article is also available made in stainless steel finish, material No. 1.4571 / 1.4404 (V4A).

article number	B mm	R mm	G kg
S			
WPKD 20S	200	450	5,44
WPKD 30S	300	450	9,90
WPKD 40S	400	450	12,70
WPKD 50S	500	450	19,57
WPKD 60S	600	450	23,47
F			
WPKD 20F	200	450	5,82
WPKD 30F	300	450	10,59
WPKD 40F	400	450	13,59
WPKD 50F	500	450	20,94
WPKD 60F	600	450	25,11
E			
WPKD 20E	200	450	5,44
WPKD 30E	300	450	9,90
WPKD 40E	400	450	12,70
WPKD 50E	500	450	19,57
WPKD 60E	600	450	23,47



Wide-span systems

Accessories

EBW Corner fixing

For an application example, see the chapter assembly.

article number	G
	kg
F	
EBW 020F	52,64

accessories included:

20 x US 13x24F	square washer, DIN 125	(page G39)
10 x SEM 12F	hexagon-nut, DIN 934	(page G41)
10 x SES 12x30F	hexagon head bolt, DIN 933	(page G38)
3 x KHU 80-10F	bracket support, profile U80	(page F27)
1 x KHU 80-08F	bracket support, profile U80	(page F27)
1 x KHU 80-14F	bracket support, profile U80	(page F27)

article number	G
	kg
F	
EBW 030F	55,31

accessories included:

20 x US 13x24F	square washer, DIN 125	(page G39)
10 x SEM 12F	hexagon-nut, DIN 934	(page G41)
10 x SES 12x30F	hexagon head bolt, DIN 933	(page G38)
1 x KHU 80-08F	bracket support, profile U80	(page F27)
3 x KHU 80-11F	bracket support, profile U80	(page F27)
1 x KHU 80-15F	bracket support, profile U80	(page F27)

article number	G
	kg
F	
EBW 040F	60,63

accessories included:

20 x US 13x24F	square washer, DIN 125	(page G39)
10 x SEM 12F	hexagon-nut, DIN 934	(page G41)
10 x SES 12x30F	hexagon head bolt, DIN 933	(page G38)
1 x KHU 80-08F	bracket support, profile U80	(page F27)
1 x KHU 80-12F	bracket support, profile U80	(page F27)
2 x KHU 80-13F	bracket support, profile U80	(page F27)
1 x KHU 80-18F	bracket support, profile U80	(page F27)

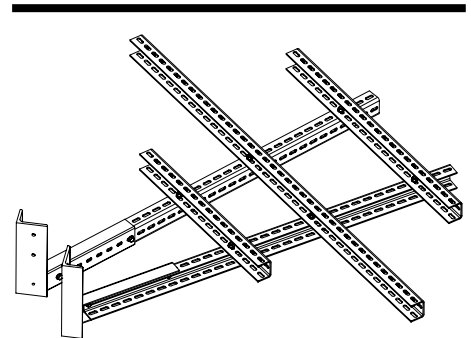
article number	G
	kg
F	
EBW 050F	60,64

accessories included:

20 x US 13x24F	square washer, DIN 125	(page G39)
10 x SEM 12F	hexagon-nut, DIN 934	(page G41)
10 x SES 12x30F	hexagon head bolt, DIN 933	(page G38)
1 x KHU 80-08F	bracket support, profile U80	(page F27)
1 x KHU 80-10F	bracket support, profile U80	(page F27)
2 x KHU 80-14F	bracket support, profile U80	(page F27)
1 x KHU 80-18F	bracket support, profile U80	(page F27)

accessories optional:

WPRB 120	wide-span cable tray bend, height=120 mm	(page D12)
WPRB 150	wide-span cable tray bend, height=150 mm	(page D12)
WPLB 120	wide-span bend, height=120 mm	(page D07)
WPLB 150	wide-span bend, height=150 mm	(page D07)
SD	expansion anchor	(page G12)



Wide-span systems

Accessories

EBW Corner fixing

For an application example, see the chapter assembly.

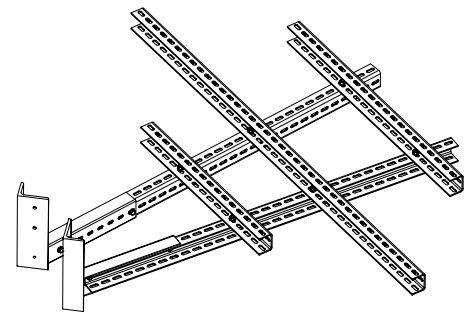
article number	G
	kg
F	
EBW 060F	64,63

accessories included:

20 x US 13x24F	square washer, DIN 125	(page G39)
10 x SEM 12F	hexagon-nut, DIN 934	(page G41)
10 x SES 12x30F	hexagon head bolt, DIN 933	(page G38)
1 x KHU 80-08F	bracket support, profile U80	(page F27)
1 x KHU 80-11F	bracket support, profile U80	(page F27)
2 x KHU 80-16F	bracket support, profile U80	(page F27)
1 x KHU 80-19F	bracket support, profile U80	(page F27)

accessories optional:

WPRB 120	wide-span cable tray bend, height=120 mm	(page D12)
WPRB 150	wide-span cable tray bend, height=150 mm	(page D12)
WPLB 120	wide-span bend, height=120 mm	(page D07)
WPLB 150	wide-span bend, height=150 mm	(page D07)
SD	expansion anchor	(page G12)



WPHS-K flange mounting clamp (brackets)

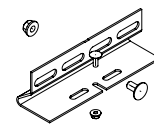
This article is also available made in stainless steel finish, material No. 1.4571 / 1.4404 (V4A).

For an application example, see the chapter assembly.

article number	G
	kg
S	
WPHS-K S	0,51

accessories included:

1 x KLS 10x20	fixing set	(page G34)
1 x FRSV 6x16	round-head screw with short square	(page G34)
1 x SEMS 6	hexagon nut, self-locking, DIN 6923	(page G41)



article number	G
	kg
F	
WPHS-K F	0,55

accessories included:

1 x KLS 10x20F	fixing set	(page G34)
1 x SEMS 6E	hexagon nut, self-locking, DIN 6923	(page G41)
1 x FRSV 6x16E	round-head screw with short square	(page G35)

article number	G
	kg
E	
WPHS-K E	0,51

accessories included:

1 x KLS 10x20E	fixing set	(page G34)
1 x SEMS 6E	hexagon nut, self-locking, DIN 6923	(page G41)
1 x FRSV 6x16E	round-head screw with short square	(page G35)

Wide-span systems

Accessories

WPHS-A flange mounting clamp (C-profiles)

For an application example, see the chapter assembly.

article number	G	kg
S		
WPHS-A S		0,53

accessories included:

1 x SES 6x20	hexagon head bolt, DIN 933	(page G37)
1 x US 6x12	square washer, DIN 125	(page G39)
1 x AM22 M6	channel nut, A41/ KHA 41/ KHAL 41	(page G43)
1 x KLS 10x20	fixing set	(page G34)

article number	G	kg
F		
WPHS-A F		0,57

accessories included:

1 x SES 6x20E	hexagon head bolt, DIN 933	(page G38)
1 x US 6x12E	square washer, DIN 125	(page G40)
1 x AM22 M6F	channel nut, A41/ KHA 41/ KHAL 41	(page G43)
1 x KLS 10x20F	fixing set	(page G34)

article number	G	kg
E		
WPHS-A E		0,53

accessories included:

1 x SES 6x20E	hexagon head bolt, DIN 933	(page G38)
1 x US 6x12E	square washer, DIN 125	(page G40)
1 x AM22 M6E4	channel nut, A41/ KHA 41/ KHAL 41	(page G43)
1 x KLS 10x20E	fixing set	(page G34)

WPHS-P flange mounting clamp (profiles)

For an application example, see the chapter assembly.

article number	G	kg
S		
WPHS-P S		0,54

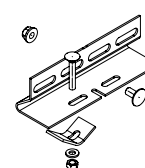
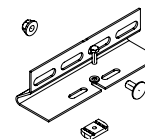
accessories included:

1 x KLS 10x20	fixing set	(page G34)
1 x FRS 8x50	round-head screw with square, DIN 603	(page G35)
1 x US 8x17	square washer, DIN 125	(page G39)
1 x SKLL F	clamping claw	(page D23)
1 x SEM 8	hexagon-nut, DIN 934	(page G41)

article number	G	kg
F		
WPHS-P F		0,58

accessories included:

1 x KLS 10x20F	fixing set	(page G34)
1 x FRS 8x50E	round-head screw with square, DIN 603	(page G35)
1 x US 8x17E	square washer, DIN 125	(page G40)
1 x SEM 8E	hexagon-nut, DIN 934	(page G41)
1 x SKLL F	clamping claw	(page D23)



Wide-span systems

Accessories

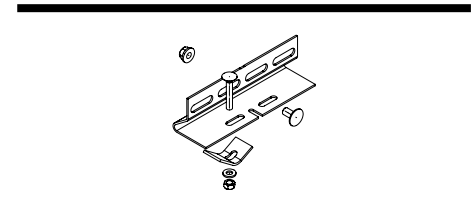
WPHS-P flange mounting clamp (profiles)

For an application example, see the chapter assembly.

article number	G
	kg
E	
WPHS-P E	0,54

accessories included:

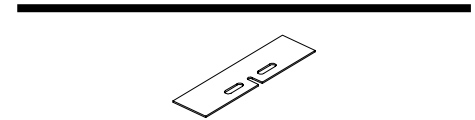
1 x KLS 10x20E	fixing set	(page G34)
1 x FRS 8x50	round-head screw with square, DIN 603	(page G35)
1 x US 8x17E	square washer, DIN 125	(page G40)
1 x SEM 8E	hexagon-nut, DIN 934	(page G41)
1 x SKLL F	clamping claw	(page D23)



WPHS-IS isolation strip

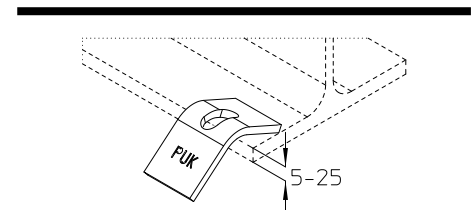
For an application example, see the chapter assembly.

article number	G
	kg
EPDM	
WPHS-IS	0,02



SKLL clamping claw

article number	G
	kg
F	
SKLL F	0,07
E	
SKLL E	0,16



WPV 120 wide-span coupler, height=120 mm

In order to compensate for the heat expansion one side of the connector is mounted as a loose bearing. The given torques must be observed. The other side of the connector is to be mounted as a fixed bearing. A minimum distance of 4mm must be kept between the cable ladders. This article is also available made in stainless steel finish, material No. 1.4571 / 1.4404 (V4A).

For an application example, see the chapter assembly.

article number	H	L	G
	mm	mm	kg
S			
WPV 120S	120	400	1,08

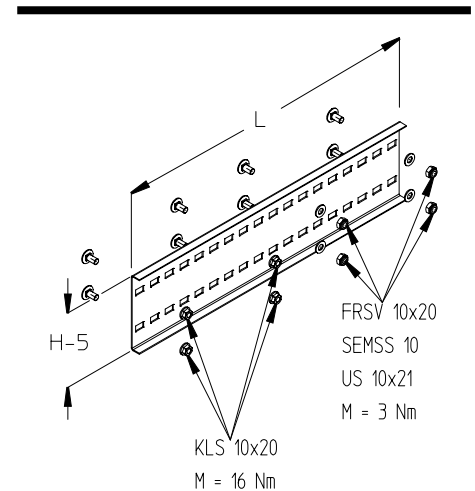
accessories included:

4 x KLS 10x20	fixing set	(page G34)
4 x FRSV 10x20	round-head screw with short square	(page G34)
4 x US 10x21	square washer, DIN 125	(page G39)
4 x SEMSS 10	hexagon-nut, self-locking, DIN 985	(page G42)

article number	H	L	G
	mm	mm	kg
F			
WPV 120F	120	400	1,10

accessories included:

4 x KLS 10x20F	fixing set	(page G34)
4 x FRSV 10x20F	round-head screw with short square	(page G34)
4 x US 10x21F	square washer, DIN 125	(page G39)
4 x SEMSS 10E	hexagon-nut, self-locking, DIN 985	(page G42)



WPV 150 wide-span coupler, height=150 mm

In order to compensate for the heat expansion one side of the connector is mounted as a loose bearing. The given torques must be observed. The other side of the connector is to be mounted as a fixed bearing. A minimum distance of 4mm must be kept between the cable ladders. This article is also available made in stainless steel finish, material No. 1.4571 / 1.4404 (V4A).

For an application example, see the chapter assembly.

article number	H mm	L mm	G kg
S			
WPV 150S	150	600	1,79

accessories included:

- 4 x **KLS 10x20** fixing set (page G34)
- 4 x **FRSV 10x20** round-head screw with short square (page G34)
- 4 x **US 10x21** square washer, DIN 125 (page G39)
- 4 x **SEMSS 10** hexagon-nut, self-locking, DIN 985 (page G42)

article number	H mm	L mm	G kg
F			
WPV 150F	150	600	1,92

accessories included:

- 4 x **KLS 10x20F** fixing set (page G34)
- 4 x **FRSV 10x20F** round-head screw with short square (page G34)
- 4 x **US 10x21F** square washer, DIN 125 (page G39)
- 4 x **SEMSS 10E** hexagon-nut, self-locking, DIN 985 (page G42)

article number	H mm	L mm	G kg
E			
WPV 150E	150	600	1,79

accessories included:

- 4 x **KLS 10x20E** fixing set (page G34)
- 4 x **FRSV 10x20E** round-head screw with short square (page G35)
- 4 x **US 10x21E** square washer, DIN 125 (page G40)
- 4 x **SEMSS 10E** hexagon-nut, self-locking, DIN 985 (page G42)

WPVH 120 wide-span coupler, height=120 mm

This article is also available made in stainless steel finish, material No. 1.4571 / 1.4404 (V4A).

For an application example, see the chapter assembly.

article number	H mm	L mm	G kg
S			
WPVH 120S	120	400	0,92

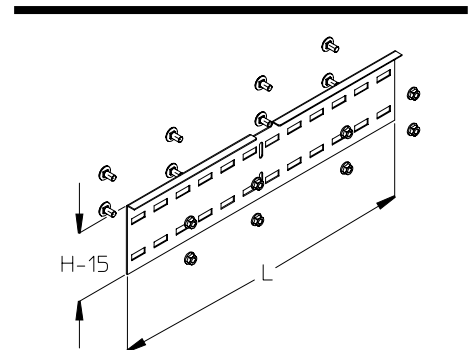
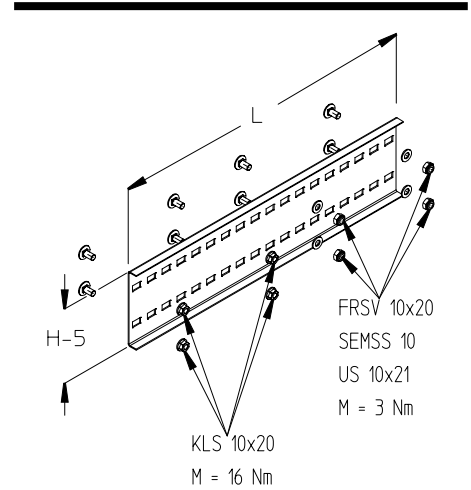
accessories included:

- 8 x **KLS 10x20** fixing set (page G34)

article number	H mm	L mm	G kg
F			
WPVH 120F	120	400	0,98

accessories included:

- 8 x **KLS 10x20F** fixing set (page G34)



Wide-span systems

Accessories

WPVH 150 wide-span coupler, height=150 mm

This article is also available made in stainless steel finish, material No. 1.4571 / 1.4404 (V4A).
For an application example, see the chapter assembly.

article number	H mm	L mm	G kg
S			
WPVH 150S	150	600	1,53

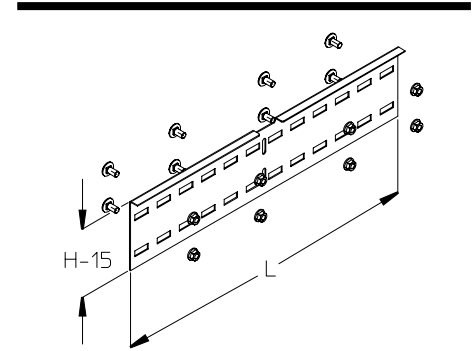
accessories included:
8 x **KLS 10x20** fixing set (page G34)

article number	H mm	L mm	G kg
F			
WPVH 150F	150	600	1,64

accessories included:
8 x **KLS 10x20F** fixing set (page G34)

article number	H mm	L mm	G kg
E			
WPVH 150E	150	600	1,57

accessories included:
8 x **KLS 10x20E** fixing set (page G34)



WPVV 120 wide-span coupler, height=120 mm

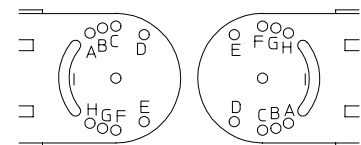
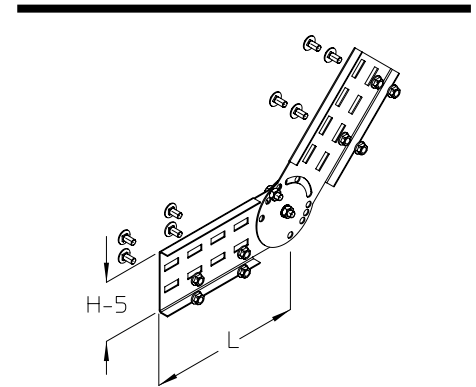
All other angles up to 90° maximum are to be set above the elongated holes I. This article is also available made in stainless steel finish, material No. 1.4571 / 1.4404 (V4A).
For an application example, see the chapter assembly.

article number	H mm	L mm	G kg
S			
WPVV 120S	120	253	1,41

accessories included:
8 x **KLS 10x20** fixing set (page G34)
2 x **SES 10x20** hexagon head bolt, DIN 933 (page G37)
2 x **SEM 10** hexagon-nut, DIN 934 (page G41)
1 x **FS 10** serrated lock washer (page G39)

article number	H mm	L mm	G kg
F			
WPVV 120F	120	253	1,18

accessories included:
8 x **KLS 10x20F** fixing set (page G34)
2 x **SES 10x20F** hexagon head bolt, DIN 933 (page G38)
2 x **SEM 10F** hexagon-nut, DIN 934 (page G41)
1 x **FS 10E** serrated lock washer (page G39)



- 15° C + G
- 18° E + B
- 30° A + F
- 45° B + H
- 60° A + H

Wide-span systems

Accessories

WPVV 150 wide-span coupler, height=150 mm

All other angles up to 90° maximum are to be set above the elongated holes I. This article is also available made in stainless steel finish, material No. 1.4571 / 1.4404 (V4A).
For an application example, see the chapter assembly.

article number	H mm	L mm	G kg
S			
WPVV 150S	150	377	2,43

accessories included:

8 x KLS 10x20	fixing set	(page G34)
2 x SES 10x20	hexagon head bolt, DIN 933	(page G37)
2 x SEM 10	hexagon-nut, DIN 934	(page G41)
1 x FS 10	serrated lock washer	(page G39)

article number	H mm	L mm	G kg
F			
WPVV 150F	150	377	2,60

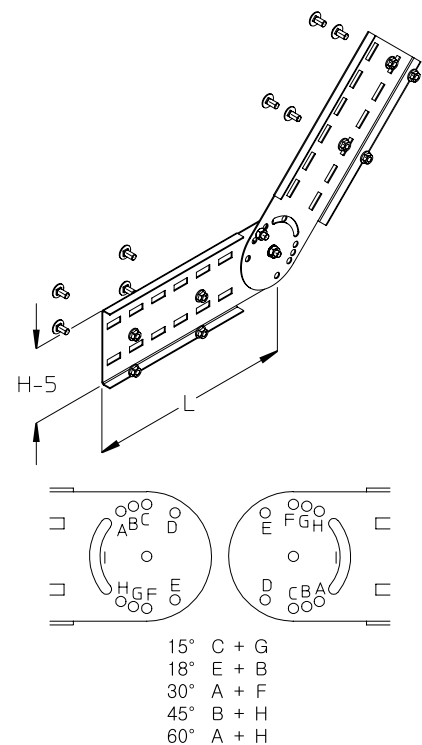
accessories included:

8 x KLS 10x20F	fixing set	(page G34)
2 x SES 10x20F	hexagon head bolt, DIN 933	(page G38)
2 x SEM 10F	hexagon-nut, DIN 934	(page G41)
1 x FS 10E	serrated lock washer	(page G39)

article number	H mm	L mm	G kg
E			
WPVV 150E	150	377	2,43

accessories included:

8 x KLS 10x20E	fixing set	(page G34)
2 x SES 10x20E	hexagon head bolt, DIN 933	(page G38)
2 x SEM 10E	hexagon-nut, DIN 934	(page G41)
1 x FS 10E	serrated lock washer	(page G39)



WPTR 120 wide-span barrier strip, height=80 mm

This article is also available made in stainless steel finish, material No. 1.4571 / 1.4404 (V4A).
For an application example, see the chapter assembly.

article number	H mm	L mm	G kg
S			
WPTR 120S	80	3000	2,63

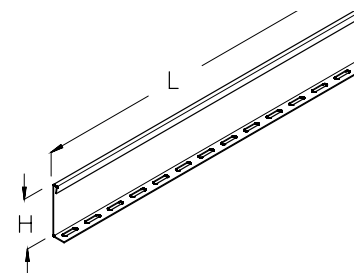
accessories included:

3 x FRSV 6x12	round-head screw with short square	(page G34)
3 x SEMS 6	hexagon nut, self-locking, DIN 6923	(page G41)

article number	H mm	L mm	G kg
F			
WPTR 120F	80	3000	2,82

accessories included:

3 x FRSV 6x12E	round-head screw with short square	(page G35)
3 x SEMS 6E	hexagon nut, self-locking, DIN 6923	(page G41)



Wide-span systems

Accessories

WPTR 150 wide-span barrier strip, height=100 mm

This article is also available made in stainless steel finish, material No. 1.4571 / 1.4404 (V4A).
For an application example, see the chapter assembly.

article number	H mm	L mm	G kg
S			
WPTR 150S	100	3000	3,27

accessories included:

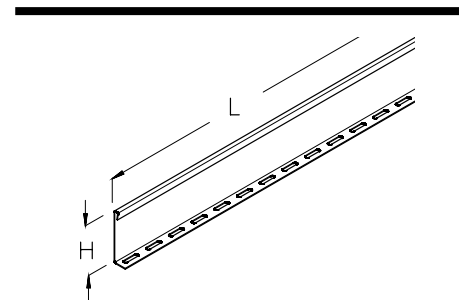
3 x **FRSV 6x12** round-head screw with short square (page G34)
3 x **SEMSS 6** hexagon-nut, self-locking, DIN 985 (page G42)

article number	H mm	L mm	G kg
F			
WPTR 150F	100	3000	3,50

E			
WPTR 150E	100	3000	3,27

accessories included:

3 x **FRSV 6x12E** round-head screw with short square (page G35)
3 x **SEMS 6E** hexagon nut, self-locking, DIN 6923 (page G41)



WPKAB end plate

This article is also available made in stainless steel finish, material No. 1.4571 / 1.4404 (V4A).

article number	B mm	G kg
S		
WPKAB 20S	195	0,50
WPKAB 30S	295	0,77
WPKAB 40S	395	1,02
WPKAB 50S	495	1,28
WPKAB 60S	595	1,54

accessories included:

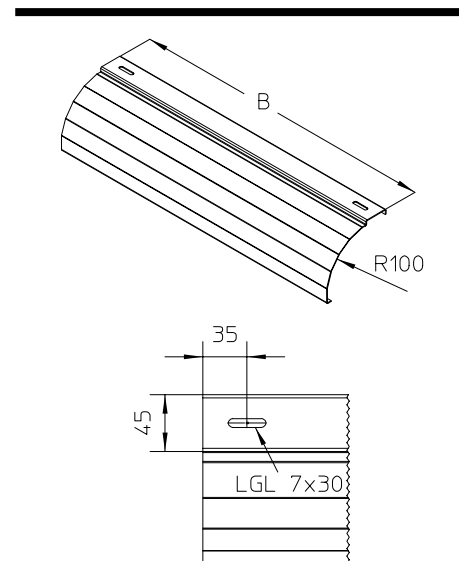
2 x **FKS 6x10** slotted cylinder head screw, DIN 84 (page G35)
2 x **AM16 M6F** channel nut, B7 (page G45)

article number	B mm	G kg
F		
WPKAB 20F	195	0,54
WPKAB 30F	295	0,82
WPKAB 40F	395	1,09
WPKAB 50F	495	1,37
WPKAB 60F	595	1,65

E		
WPKAB 20E	195	0,50
WPKAB 30E	295	0,77
WPKAB 40E	395	1,02
WPKAB 50E	495	1,28
WPKAB 60E	595	1,54

accessories included:

2 x **FKS 6x10E** slotted cylinder head screw, DIN 84 (page G35)
2 x **AM16 M6E4** channel nut, B7 (page G45)



Wide-span systems

Accessories

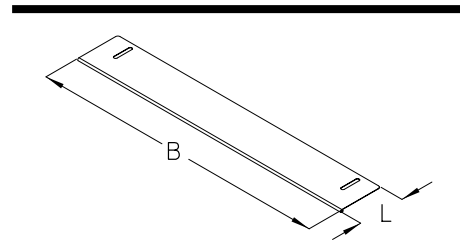
WPREB end plate

This article is also available made in stainless steel finish, material No. 1.4571 / 1.4404 (V4A).
For an application example, see the chapter assembly.

article number	B mm	L mm	G kg
S			
WPREB 20S	195	90	0,11
WPREB 30S	295	90	0,17
WPREB 40S	395	90	0,23
WPREB 50S	495	90	0,29
WPREB 60S	595	90	0,35

accessories included:

2 x **FRSV 6x12** round-head screw with short square (page G34)
2 x **SEMS 6** hexagon nut, self-locking, DIN 6923 (page G41)



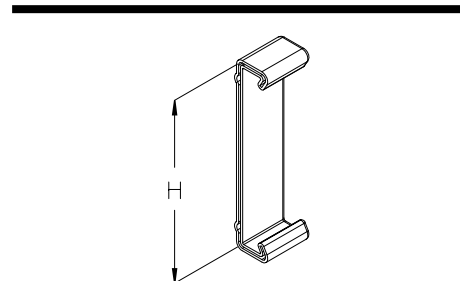
article number	B mm	L mm	G kg
F			
WPREB 20F	195	90	0,12
WPREB 30F	295	90	0,18
WPREB 40F	395	90	0,25
WPREB 50F	495	90	0,31
WPREB 60F	595	90	0,37

accessories included:

2 x **FRSV 6x12E** round-head screw with short square (page G35)
2 x **SEMS 6E** hexagon nut, self-locking, DIN 6923 (page G41)

SWP protection end cap

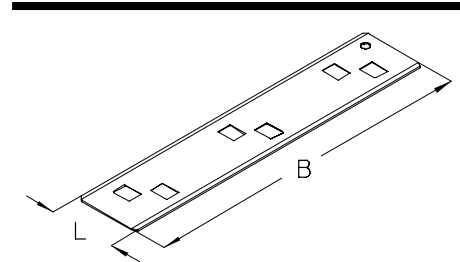
article number	H mm	G kg
PE		
SWP 120	100	0,02
SWP 150	150	0,03



VB connection plate

This article is also available made in stainless steel finish, material No. 1.4571 / 1.4404 (V4A).
For an application example, see the chapter assembly.

article number	B mm	L mm	G kg
S			
VB 10S	54	70	0,04
VB 20S	155	70	0,11
VB 30S	255	70	0,18
VB 40S	355	70	0,27
VB 50S	455	70	0,32
VB 60S	555	70	0,38



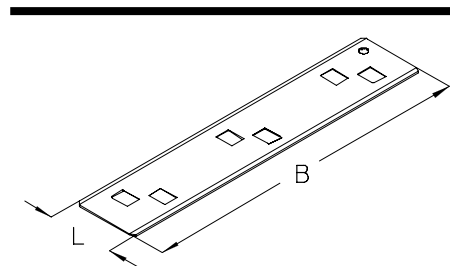
Wide-span systems

Accessories

VB connection plate

This article is also available made in stainless steel finish, material No. 1.4571 / 1.4404 (V4A).
For an application example, see the chapter assembly.

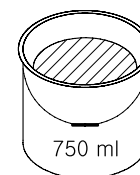
article number	B mm	L mm	G kg
F			
VB 10F	54	70	0,04
VB 20F	155	70	0,11
VB 30F	255	70	0,19
VB 40F	355	70	0,28
VB 50F	455	70	0,34
VB 60F	555	70	0,40
E			
VB 10E	54	70	0,04
VB 20E	155	70	0,11
VB 30E	255	70	0,18
VB 40E	355	70	0,27
VB 50E	455	70	0,32
VB 60E	555	70	0,38



KZF cold zinc paint

For assembly instructions, see the chapter assembly.

article number	I ml	G kg
KZF		
	750	1,93



KZS cold zinc spray

For assembly instructions, see the chapter assembly.

article number	I ml	G kg
KZS		
	400	0,40

