



Cable trays

Cable trays	B03-B15
Fittings	B16-B33
Accessories of cable trays	B34-B42
Accessories of cable installation trays	B43-B45
Cover	B46-B54



B

Numeric index

Cable trays

A

AHB suspension-bow [B45](#)

K

KSB edge protection strip [B41](#)

KSR cable protection ring [B45](#)

KZF cold zinc paint [B42](#)

KZS cold zinc spray [B42](#)

M

MKB adhesive metal strip [B54](#)

MP-RG assembly plate [B41](#)

R

R 110 cable tray [B11](#)

R 35 cable tray [B03](#)

R 60 cable tray [B04](#)

R 85 cable tray [B09](#)

RA 110 cable tray branch-piece, height=110 mm [B26](#)

RA 35 cable tray branch-piece, height=35 mm [B24](#)

RA 60 cable tray branch-piece, height=60 mm [B25](#)

RA 85 cable tray branch-piece, height=85 mm [B25](#)

RAA 110 cable tray attachment branch-piece, height=110 mm [B23](#)

RAA 35 cable tray attachment branch-piece, height=35 mm [B21](#)

RAA 60 cable tray attachment branch-piece, height=60 mm [B22](#)

RAA 85 cable tray attachment branch-piece, height=85 mm [B23](#)

RAAD cable tray attachment branch-piece cover [B50](#)

RAADR cable tray attachment branch-piece cover with bar lock [B51](#)

RAB 110 cable tray closing panel, height=110 mm [B35](#)

RAB 35 cable tray closing panel, height=35 mm [B34](#)

RAB 60 cable tray closing panel, height=60 mm [B34](#)

RAB 85 cable tray closing panel, height=85 mm [B35](#)

RAD cable tray branch-piece cover [B51](#)

RADR cable tray branch-piece cover with bar lock [B52](#)

RAE 110 cable tray attachment corner, height=110 mm [B21](#)

RAE 60 cable tray attachment corner, height=60 mm [B20](#)

RAED cable tray attachment corner cover [B49](#)

RB 110 cable tray bend, height=110 mm [B18](#)

RB 35 cable tray bend, height=35 mm [B16](#)

RB 60 cable tray bend, height=60 mm [B16](#)

RB 85 cable tray bend, height=85 mm [B17](#)

RB45 110 cable tray bend, height=110 mm [B20](#)

RB45 60 cable tray bend, height=60 mm [B18](#)

RB45 85 cable tray bend, height=85 mm [B19](#)

RBD cable tray bend cover [B47](#)

RBD45 cable tray bend cover [B49](#)

RBDR cable tray bend cover with bar lock [B48](#)

RBDR45 cable tray bend cover with bar lock [B49](#)

RD cable tray cover [B46](#)

RDKL 110 cable tray cover clamp [B47](#)

RDKL 60 cable tray cover clamp [B47](#)

RDR cable tray cover with bar lock [B46](#)

RD-SW cable tray storm protection angle [B47](#)

REB cable tray end-plate [B36](#), [B43](#)

RG 110 cable tray [B13](#)

RG 35 cable tray [B03](#)

RG 60 cable tray [B07](#)

RG 85 cable tray [B09](#)

RGL 60 cable tray [B06](#)

RGS 110 cable tray [B14](#)

RGS 60 cable tray [B08](#)

RGS 85 cable tray [B10](#)

RGV 110 cable tray coupler, height=110 mm [B38](#)

RGV 35 cable tray coupler, height=35 mm [B37](#)

RGV 60 cable tray coupler, height=60 mm [B37](#)

RGV 85 cable tray coupler, height=85 mm [B38](#)

RGVS cable tray snap coupler [B38](#)

RI 60 cable installation tray, height=60 mm [B15](#)

RID cable installation tray cover [B44](#)

RIDR cable installation tray cover with bar lock [B45](#)

RIV 60 cable tray coupler, height=60 mm [B43](#)

RK 110 cable tray crossover, height=110 mm [B28](#)

RK 35 cable tray crossover, height=35 mm [B27](#)

RK 60 cable tray crossover, height=60 mm [B27](#)

RK 85 cable tray crossover, height=85 mm [B28](#)

RKD cable tray cross-piece cover [B52](#)

RKDR cable tray cross-piece cover with bar lock [B53](#)

RR 110 cable tray reducer, height=110 mm [B33](#)

RR 35 cable tray reducer, height=35 mm [B31](#)

RR 60 cable tray reducer, height=60 mm [B32](#)

RR 85 cable tray reducer, height=85 mm [B32](#)

RRD cable tray reducer cover [B53](#)

RRDR cable tray reducer cover with bar lock [B54](#)

RS 110 cable tray [B12](#)

RS 60 cable tray [B05](#)

RTR 110 cable tray barrier strip, height=110 mm [B41](#)

RTR 35 cable tray barrier strip, height=35 mm [B39](#)

RTR 60 cable tray barrier strip, height=60 mm [B40](#)

RTR 85 cable tray barrier strip, height=85 mm [B40](#)

RVB 110 cable tray vertical bend, height=110 mm [B31](#)

RVB 35 cable tray vertical bend, height=35 mm [B29](#)

RVB 60 cable tray vertical bend, height=60 mm [B30](#)

RVB 85 cable tray vertical bend, height=85 mm [B30](#)

V

VB connection plate [B39](#)

Cable trays

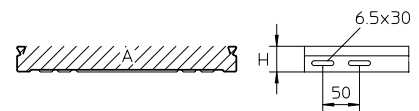
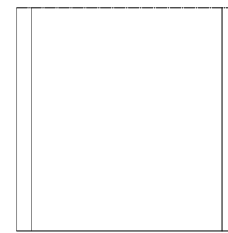
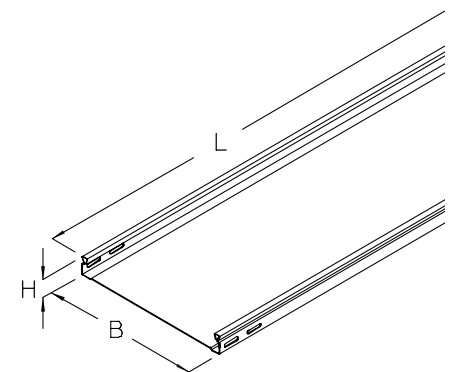
R 35 cable tray, not perforated, height=35 mm

For a load diagram, see the chapter planning.
For assembly instructions, see the chapter assembly.

article number	H mm	B mm	L mm	A cm ²	Q _{sk} kN/m	G kg
S						
R 35-10S	35	100	3000	31	0,05	3,70
R 35-20S	35	200	3000	63	0,10	5,50
R 35-30S	35	300	3000	96	0,15	7,30
F						
R 35-10F	35	100	3000	31	0,05	4,20
R 35-20F	35	200	3000	63	0,10	6,20
R 35-30F	35	300	3000	96	0,15	8,10

accessories optional:

RB 35	cable tray bend, height=35 mm	(page B16)
RAA 35	cable tray attachment branch-piece, height=35 mm	(page B21)
RA 35	cable tray branch-piece, height=35 mm	(page B24)
RK 35	cable tray crossover, height=35 mm	(page B27)
RVB 35	cable tray vertical bend, height=35 mm	(page B29)
RR 35	cable tray reducer, height=35 mm	(page B31)
RAB 35	cable tray closing panel, height=35 mm	(page B34)
REB	cable tray end-plate	(page B36, B43)
RGV 35	cable tray coupler, height=35 mm	(page B37)
VB	connection plate	(page B39, D28)
RTR 35	cable tray barrier strip, height=35 mm	(page B39)
KLR	fixing set	(page G33)



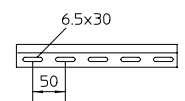
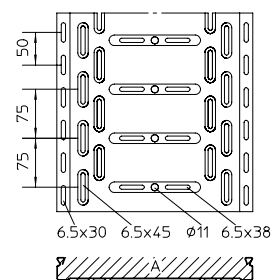
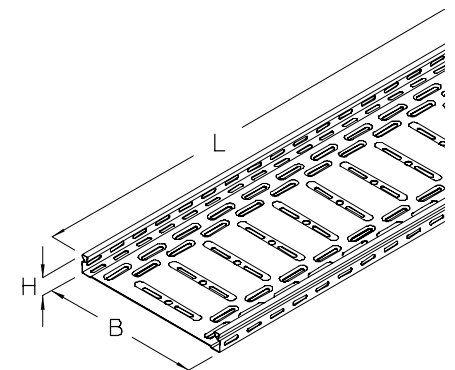
RG 35 cable tray, perforated, height=35 mm

For a load diagram, see the chapter planning.
For assembly instructions, see the chapter assembly.

article number	H mm	B mm	L mm	A cm ²	Q _{sk} kN/m	G kg
S						
RG 35-10S	35	100	3000	31	0,05	3,30
RG 35-20S	35	200	3000	63	0,10	5,10
RG 35-30S	35	300	3000	96	0,15	6,70
F						
RG 35-10F	35	100	3000	31	0,05	3,50
RG 35-20F	35	200	3000	63	0,10	5,50
RG 35-30F	35	300	3000	96	0,15	7,20

accessories optional:

RB 35	cable tray bend, height=35 mm	(page B16)
RAA 35	cable tray attachment branch-piece, height=35 mm	(page B21)
RA 35	cable tray branch-piece, height=35 mm	(page B24)
RK 35	cable tray crossover, height=35 mm	(page B27)
RVB 35	cable tray vertical bend, height=35 mm	(page B29)
RR 35	cable tray reducer, height=35 mm	(page B31)
RAB 35	cable tray closing panel, height=35 mm	(page B34)
REB	cable tray end-plate	(page B36, B43)
RGV 35	cable tray coupler, height=35 mm	(page B37)
VB	connection plate	(page B39, D28)
RTR 35	cable tray barrier strip, height=35 mm	(page B39)
KLR	fixing set	(page G33)



Cable trays

R 60 cable tray, not perforated, height=60 mm

This article is also available made in stainless steel finish, material No. 1.4571 / 1.4404 (V4A).

For a load diagram, see the chapter planning.

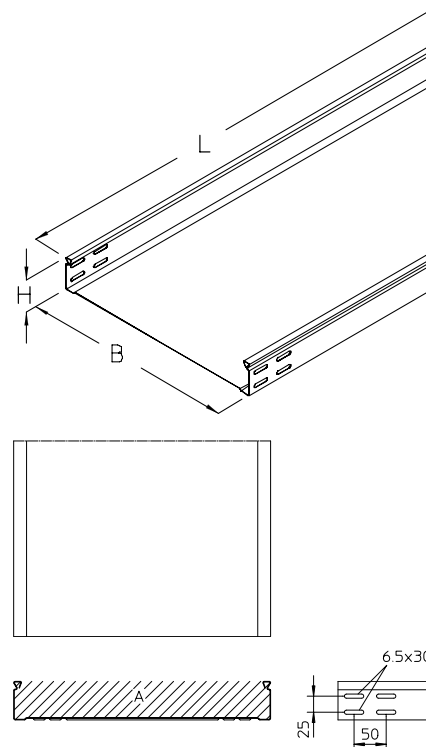
For assembly instructions, see the chapter assembly.



article number	H mm	B mm	L mm	A cm ²	Q _{sk} kN/m	G kg
S						
R 60-10S	60	100	3000	56	0,09	4,60
R 60-20S	60	200	3000	113	0,17	6,40
R 60-30S	60	300	3000	171	0,26	8,10
R 60-40S	60	400	3000	228	0,34	11,60
R 60-50S	60	500	3000	286	0,43	15,50
R 60-60S	60	600	3000	343	0,52	17,90
F						
R 60-10F	60	100	3000	56	0,09	5,20
R 60-20F	60	200	3000	113	0,17	7,10
R 60-30F	60	300	3000	171	0,26	9,10
R 60-40F	60	400	3000	228	0,34	12,80
R 60-50F	60	500	3000	286	0,43	16,90
R 60-60F	60	600	3000	343	0,52	19,50
E						
R 60-10E	60	100	3000	56	0,09	4,90
R 60-20E	60	200	3000	113	0,17	6,80
R 60-30E	60	300	3000	171	0,26	8,70
R 60-40E	60	400	3000	228	0,34	10,60
R 60-50E	60	500	3000	286	0,43	15,60
R 60-60E	60	600	3000	343	0,52	18,00

accessories optional:

RB 60	cable tray bend, height=60 mm	(page B16)
RB45 60	cable tray bend, height=60 mm	(page B18)
RAE 60	cable tray attachment corner, height=60 mm	(page B20)
RAA 60	cable tray attachment branch-piece, height=60 mm	(page B22)
RA 60	cable tray branch-piece, height=60 mm	(page B25)
RK 60	cable tray crossover, height=60 mm	(page B27)
RVB 60	cable tray vertical bend, height=60 mm	(page B30)
RR 60	cable tray reducer, height=60 mm	(page B32)
RAB 60	cable tray closing panel, height=60 mm	(page B34)
REB	cable tray end-plate	(page B36, B43)
RGV 60	cable tray coupler, height=60 mm	(page B37)
RGVS	cable tray snap coupler	(page B38)
VB	connection plate	(page B39, D28)
RTR 60	cable tray barrier strip, height=60 mm	(page B40)
KLR	fixing set	(page G33)



Cable trays

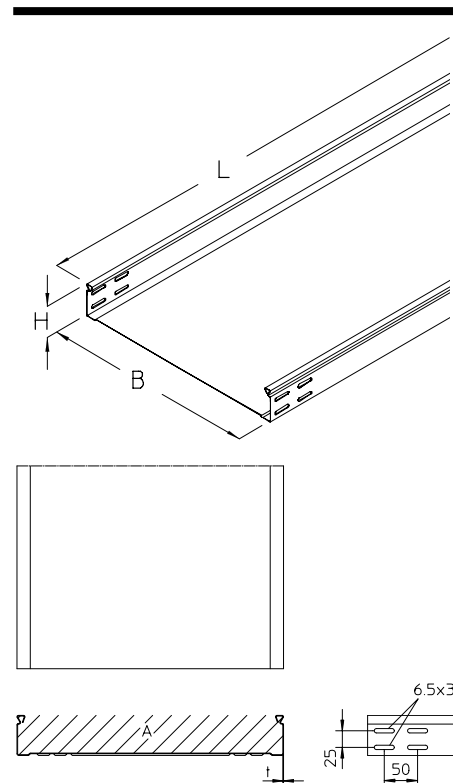
RS 60 cable tray, heavy, not perforated, height=60 mm

For a load diagram, see the chapter planning.
For assembly instructions, see the chapter assembly.

article number	H mm	B mm	L mm	t mm	A cm ²	Q _{SK} kN/m	G kg
S							
RS 60-10S	60	100	3000	1,5	56	0,09	9,00
RS 60-20S	60	200	3000	1,5	113	0,17	12,60
RS 60-30S	60	300	3000	1,5	171	0,26	16,10
RS 60-40S	60	400	3000	1,5	228	0,34	19,60
RS 60-50S	60	500	3000	1,5	286	0,43	23,20
RS 60-60S	60	600	3000	1,5	343	0,52	26,70
F							
RS 60-10F	60	100	3000	1,5	56	0,09	9,60
RS 60-20F	60	200	3000	1,5	113	0,17	13,30
RS 60-30F	60	300	3000	1,5	171	0,26	17,10
RS 60-40F	60	400	3000	1,5	228	0,34	20,80
RS 60-50F	60	500	3000	1,5	286	0,43	24,60
RS 60-60F	60	600	3000	1,5	343	0,52	28,30

accessories optional:

RB 60	cable tray bend, height=60 mm	(page B16)
RB45 60	cable tray bend, height=60 mm	(page B18)
RAE 60	cable tray attachment corner, height=60 mm	(page B20)
RAA 60	cable tray attachment branch-piece, height=60 mm	(page B22)
RA 60	cable tray branch-piece, height=60 mm	(page B25)
RK 60	cable tray crossover, height=60 mm	(page B27)
RVB 60	cable tray vertical bend, height=60 mm	(page B30)
RR 60	cable tray reducer, height=60 mm	(page B32)
RAB 60	cable tray closing panel, height=60 mm	(page B34)
REB	cable tray end-plate	(page B36, B43)
RGV 60	cable tray coupler, height=60 mm	(page B37)
VB	connection plate	(page B39, D28)
RTR 60	cable tray barrier strip, height=60 mm	(page B40)
KLR	fixing set	(page G33)



Cable trays

RGL 60 cable tray, perforated, light, height=60mm

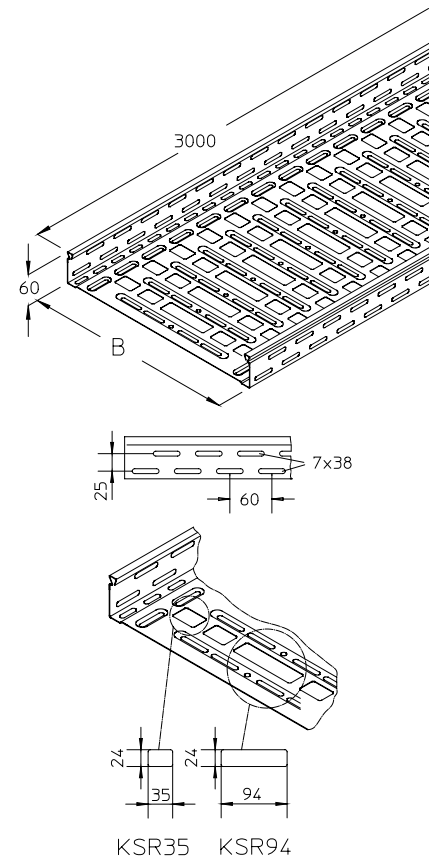
This article is also available made in stainless steel finish, material No. 1.4571 / 1.4404 (V4A).
 For an application example, see the chapter assembly.
 For assembly instructions, see the chapter assembly.



article number	H mm	B mm	L mm	A cm ²	Q _{SK} kN/m	G kg
S						
RGL 60-20S	60	200	3000	113	0,17	4,60
RGL 60-30S	60	300	3000	171	0,26	5,80
RGL 60-40S	60	400	3000	228	0,34	8,68
RGL 60-50S	60	500	3000	286	0,43	10,40
RGL 60-60S	60	600	3000	343	0,52	11,80
F						
RGL 60-20F	60	200	3000	113	0,17	5,80
RGL 60-30F	60	300	3000	171	0,26	6,80
RGL 60-40F	60	400	3000	228	0,34	9,05
RGL 60-50F	60	500	3000	286	0,43	11,50
RGL 60-60F	60	600	3000	343	0,52	12,80

accessories optional:

RB 60	cable tray bend, height=60 mm	(page B16)
RB45 60	cable tray bend, height=60 mm	(page B18)
RAE 60	cable tray attachment corner, height=60 mm	(page B20)
RAA 60	cable tray attachment branch-piece, height=60 mm	(page B22)
RA 60	cable tray branch-piece, height=60 mm	(page B25)
RK 60	cable tray crossover, height=60 mm	(page B27)
RVB 60	cable tray vertical bend, height=60 mm	(page B30)
RR 60	cable tray reducer, height=60 mm	(page B32)
RAB 60	cable tray closing panel, height=60 mm	(page B34)
REB	cable tray end-plate	(page B36, B43)
RGV 60	cable tray coupler, height=60 mm	(page B37)
RGVS	cable tray snap coupler	(page B38)
VB	connection plate	(page B39, D28)
RTR 60	cable tray barrier strip, height=60 mm	(page B40)
KLR	fixing set	(page G33)



Cable trays

RG 60 cable tray, perforated, height=60 mm

This article is also available made in stainless steel finish, material No. 1.4571 / 1.4404 (V4A).

For a load diagram, see the chapter planning.

For an application example, see the chapter assembly.

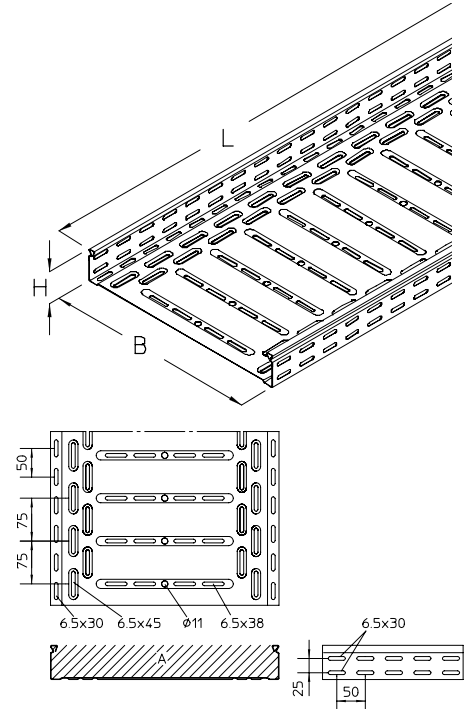
For assembly instructions, see the chapter assembly.



article number	H mm	B mm	L mm	A cm ²	Q _{SK} kN/m	G kg
S						
RG 60-10S	60	100	3000	56	0,09	4,50
RG 60-20S	60	200	3000	113	0,17	5,80
RG 60-30S	60	300	3000	171	0,26	7,50
RG 60-40S	60	400	3000	228	0,34	10,70
RG 60-50S	60	500	3000	286	0,43	14,30
RG 60-60S	60	600	3000	343	0,52	16,50
F						
RG 60-10F	60	100	3000	56	0,09	4,80
RG 60-20F	60	200	3000	113	0,17	6,20
RG 60-30F	60	300	3000	171	0,26	8,00
RG 60-40F	60	400	3000	228	0,34	11,40
RG 60-50F	60	500	3000	286	0,43	15,30
RG 60-60F	60	600	3000	343	0,52	17,70
E						
RG 60-10E	60	100	3000	56	0,09	4,50
RG 60-20E	60	200	3000	113	0,17	5,80
RG 60-30E	60	300	3000	171	0,26	7,50
RG 60-40E	60	400	3000	228	0,34	9,50
RG 60-50E	60	500	3000	286	0,43	12,10
RG 60-60E	60	600	3000	343	0,52	13,90

accessories optional:

RB 60	cable tray bend, height=60 mm	(page B16)
RB45 60	cable tray bend, height=60 mm	(page B18)
RAE 60	cable tray attachment corner, height=60 mm	(page B20)
RAA 60	cable tray attachment branch-piece, height=60 mm	(page B22)
RA 60	cable tray branch-piece, height=60 mm	(page B25)
RK 60	cable tray crossover, height=60 mm	(page B27)
RVB 60	cable tray vertical bend, height=60 mm	(page B30)
RR 60	cable tray reducer, height=60 mm	(page B32)
RAB 60	cable tray closing panel, height=60 mm	(page B34)
REB	cable tray end-plate	(page B36, B43)
RGV 60	cable tray coupler, height=60 mm	(page B37)
RGVS	cable tray snap coupler	(page B38)
VB	connection plate	(page B39, D28)
RTR 60	cable tray barrier strip, height=60 mm	(page B40)
KLR	fixing set	(page G33)



Cable trays

RGS 60 cable tray, heavy, perforated, height=60 mm

Only cable trays up to 300 mm wide are permissible for systems of function maintenance in fire protection as standard support structures according to DIN 4102-12. This article is also available made in stainless steel finish, material No. 1.4571 / 1.4404 (V4A).

For a load diagram, see the chapter planning.

For an application example, see the chapter assembly.

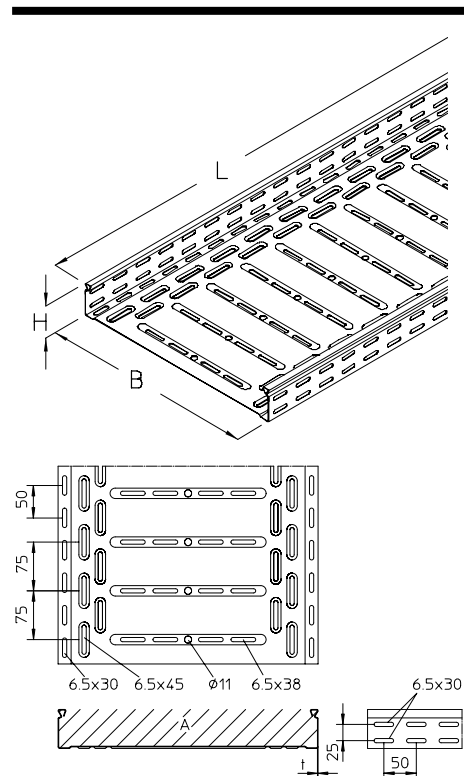
For assembly instructions, see the chapter assembly.



article number	H mm	B mm	L mm	t mm	A cm ²	Q _{SK} kN/m	G kg
S							
RGS 60-10S	60	100	3000	1,5	56	0,09	8,80
RGS 60-20S	60	200	3000	1,5	113	0,17	11,40
RGS 60-30S	60	300	3000	1,5	171	0,26	14,70
RGS 60-40S	60	400	3000	1,5	228	0,34	18,00
RGS 60-50S	60	500	3000	1,5	286	0,43	21,30
RGS 60-60S	60	600	3000	1,5	343	0,52	24,60
F							
RGS 60-10F	60	100	3000	1,5	56	0,09	9,40
RGS 60-20F	60	200	3000	1,5	113	0,17	12,20
RGS 60-30F	60	300	3000	1,5	171	0,26	15,70
RGS 60-40F	60	400	3000	1,5	228	0,34	19,30
RGS 60-50F	60	500	3000	1,5	286	0,43	22,80
RGS 60-60F	60	600	3000	1,5	343	0,52	26,30
E							
RGS 60-10E	60	100	3000	1,5	56	0,09	8,10
RGS 60-20E	60	200	3000	1,5	113	0,17	11,00
RGS 60-30E	60	300	3000	1,5	171	0,26	14,20
RGS 60-40E	60	400	3000	1,5	228	0,34	17,20
RGS 60-50E	60	500	3000	1,5	286	0,43	21,60
RGS 60-60E	60	600	3000	1,5	343	0,52	24,20

accessories optional:

RB 60	cable tray bend, height=60 mm	(page B16)
RB45 60	cable tray bend, height=60 mm	(page B18)
RAE 60	cable tray attachment corner, height=60 mm	(page B20)
RAA 60	cable tray attachment branch-piece, height=60 mm	(page B22)
RA 60	cable tray branch-piece, height=60 mm	(page B25)
RK 60	cable tray crossover, height=60 mm	(page B27)
RVB 60	cable tray vertical bend, height=60 mm	(page B30)
RR 60	cable tray reducer, height=60 mm	(page B32)
RAB 60	cable tray closing panel, height=60 mm	(page B34)
REB	cable tray end-plate	(page B36, B43)
RGV 60	cable tray coupler, height=60 mm	(page B37)
VB	connection plate	(page B39, D28)
RTR 60	cable tray barrier strip, height=60 mm	(page B40)
KLR	fixing set	(page G33)



Cable trays

R 85 cable tray, not perforated, height=85 mm

For a load diagram, see the chapter planning.
For assembly instructions, see the chapter assembly.

article number	H mm	B mm	L mm	A cm ²	Q _{SK} kN/m	G kg
S						
R 85-10S	85	100	3000	81	0,12	5,50
R 85-20S	85	200	3000	163	0,25	7,20
R 85-30S	85	300	3000	246	0,37	10,50
R 85-40S	85	400	3000	328	0,49	12,60
R 85-50S	85	500	3000	411	0,62	16,70
R 85-60S	85	600	3000	493	0,74	19,00
F						
R 85-10F	85	100	3000	81	0,12	6,10
R 85-20F	85	200	3000	163	0,25	8,10
R 85-30F	85	300	3000	246	0,37	11,60
R 85-40F	85	400	3000	328	0,49	13,90
R 85-50F	85	500	3000	411	0,62	18,20
R 85-60F	85	600	3000	493	0,74	20,80

accessories optional:

RB 85	cable tray bend, height=85 mm	(page B17)
RB45 85	cable tray bend, height=85 mm	(page B19)
RAA 85	cable tray attachment branch-piece, height=85 mm	(page B23)
RA 85	cable tray branch-piece, height=85 mm	(page B25)
RK 85	cable tray crossover, height=85 mm	(page B28)
RVB 85	cable tray vertical bend, height=85 mm	(page B30)
RR 85	cable tray reducer, height=85 mm	(page B32)
RAB 85	cable tray closing panel, height=85 mm	(page B35)
REB	cable tray end-plate	(page B36, B43)
RGV 85	cable tray coupler, height=85 mm	(page B38)
VB	connection plate	(page B39, D28)
RTR 85	cable tray barrier strip, height=85 mm	(page B40)
KLR	fixing set	(page G33)

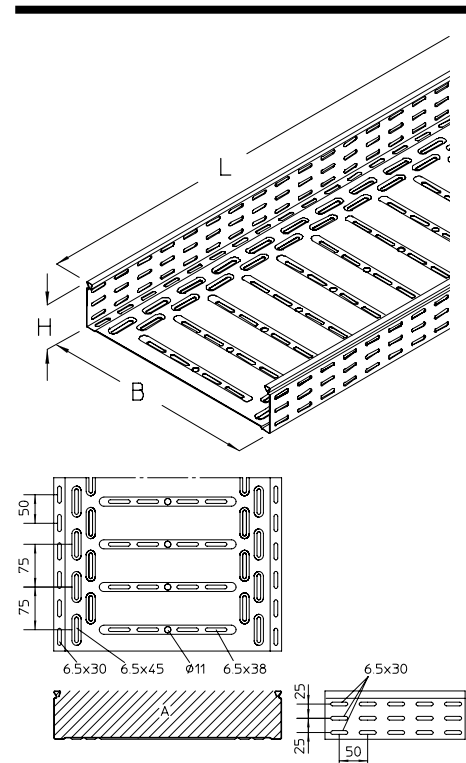
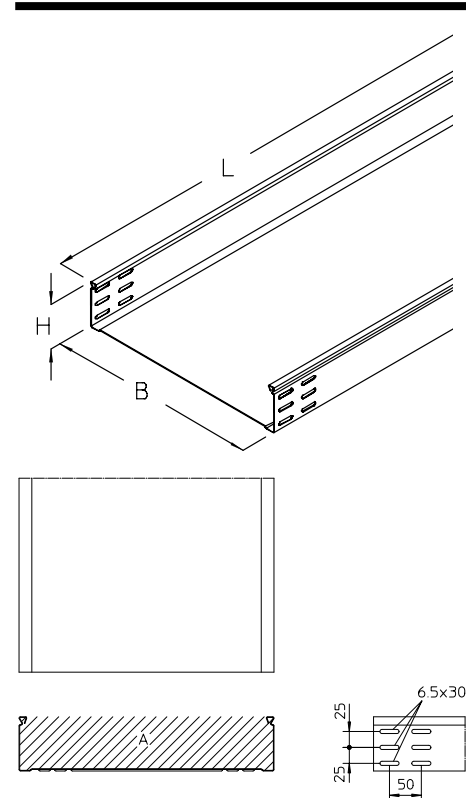
RG 85 cable tray, perforated, height=85 mm

For a load diagram, see the chapter planning.
For assembly instructions, see the chapter assembly.

article number	H mm	B mm	L mm	A cm ²	Q _{SK} kN/m	G kg
S						
RG 85-10S	85	100	3000	81	0,12	4,80
RG 85-20S	85	200	3000	163	0,25	6,60
RG 85-30S	85	300	3000	246	0,37	9,60
RG 85-40S	85	400	3000	328	0,49	11,60
RG 85-50S	85	500	3000	411	0,62	15,30
RG 85-60S	85	600	3000	493	0,74	17,50

accessories optional:

RB 85	cable tray bend, height=85 mm	(page B17)
RB45 85	cable tray bend, height=85 mm	(page B19)
RAA 85	cable tray attachment branch-piece, height=85 mm	(page B23)
RA 85	cable tray branch-piece, height=85 mm	(page B25)
RK 85	cable tray crossover, height=85 mm	(page B28)
RVB 85	cable tray vertical bend, height=85 mm	(page B30)
RR 85	cable tray reducer, height=85 mm	(page B32)
RAB 85	cable tray closing panel, height=85 mm	(page B35)
REB	cable tray end-plate	(page B36, B43)
RGV 85	cable tray coupler, height=85 mm	(page B38)
VB	connection plate	(page B39, D28)
RTR 85	cable tray barrier strip, height=85 mm	(page B40)
KLR	fixing set	(page G33)



Cable trays

RG 85 cable tray, perforated, height=85 mm

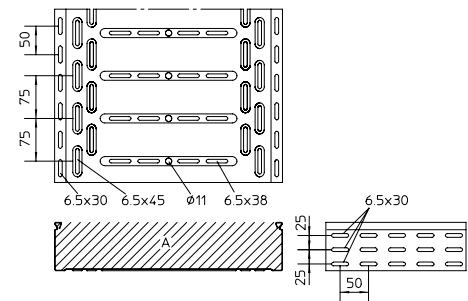
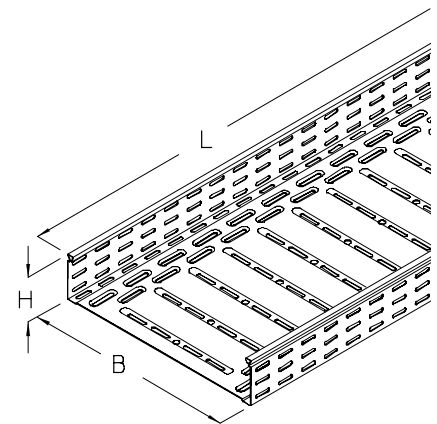
For a load diagram, see the chapter planning.
For assembly instructions, see the chapter assembly.



article number	H mm	B mm	L mm	A cm ²	Q _{SK} kN/m	G kg
F						
RG 85-10F	85	100	3000	81	0,12	5,10
RG 85-20F	85	200	3000	163	0,25	7,10
RG 85-30F	85	300	3000	246	0,37	10,30
RG 85-40F	85	400	3000	328	0,49	13,90
RG 85-50F	85	500	3000	411	0,62	16,40
RG 85-60F	85	600	3000	493	0,74	18,70

accessories optional:

RB 85	cable tray bend, height=85 mm	(page B17)
RB45 85	cable tray bend, height=85 mm	(page B19)
RAA 85	cable tray attachment branch-piece, height=85 mm	(page B23)
RA 85	cable tray branch-piece, height=85 mm	(page B25)
RK 85	cable tray crossover, height=85 mm	(page B28)
RVB 85	cable tray vertical bend, height=85 mm	(page B30)
RR 85	cable tray reducer, height=85 mm	(page B32)
RAB 85	cable tray closing panel, height=85 mm	(page B35)
REB	cable tray end-plate	(page B36, B43)
RGV 85	cable tray coupler, height=85 mm	(page B38)
VB	connection plate	(page B39, D28)
RTR 85	cable tray barrier strip, height=85 mm	(page B40)
KLR	fixing set	(page G33)



RGS 85 cable tray, perforated, heavy, height=85mm

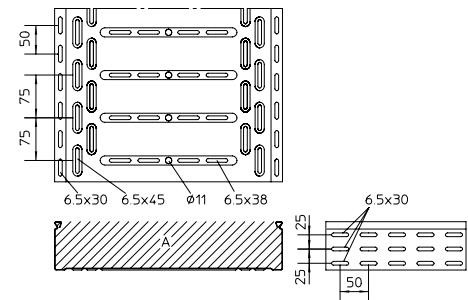
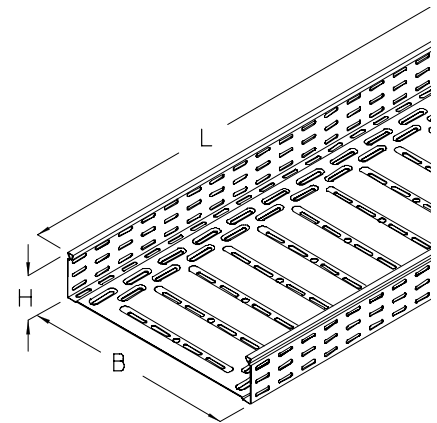
For assembly instructions, see the chapter assembly.



article number	H mm	B mm	L mm	A cm ²	Q _{SK} kN/m	G kg
S						
RGS 85-10S	85	100	3000	81	0,12	9,84
RGS 85-20S	85	200	3000	163	0,25	12,84
RGS 85-30S	85	300	3000	246	0,37	16,14
RGS 85-40S	85	400	3000	328	0,49	19,45
RGS 85-50S	85	500	3000	411	0,62	22,75
RGS 85-60S	85	600	3000	493	0,74	26,07

accessories optional:

RB 85	cable tray bend, height=85 mm	(page B17)
RB45 85	cable tray bend, height=85 mm	(page B19)
RAA 85	cable tray attachment branch-piece, height=85 mm	(page B23)
RA 85	cable tray branch-piece, height=85 mm	(page B25)
RK 85	cable tray crossover, height=85 mm	(page B28)
RVB 85	cable tray vertical bend, height=85 mm	(page B30)
RR 85	cable tray reducer, height=85 mm	(page B32)
RAB 85	cable tray closing panel, height=85 mm	(page B35)
REB	cable tray end-plate	(page B36, B43)
RGV 85	cable tray coupler, height=85 mm	(page B38)
VB	connection plate	(page B39, D28)
RTR 85	cable tray barrier strip, height=85 mm	(page B40)
KLR	fixing set	(page G33)



Cable trays

R 110 cable tray, not perforated, height=110 mm

This article is also available made in stainless steel finish, material No. 1.4571 / 1.4404 (V4A).

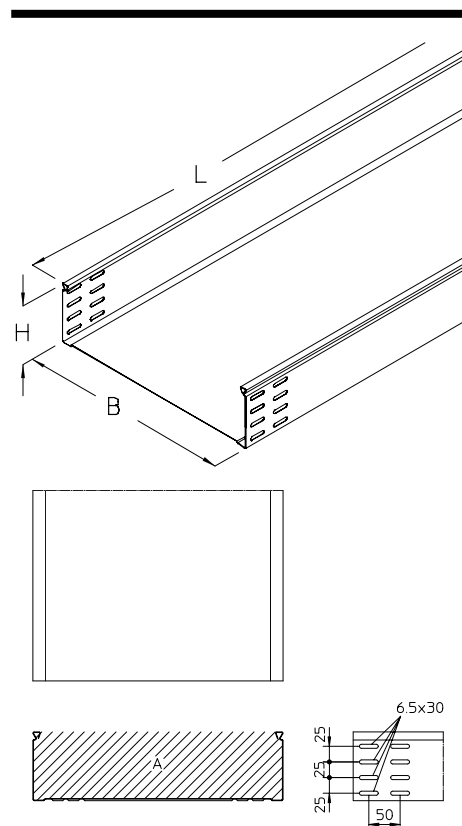
For a load diagram, see the chapter planning.

For assembly instructions, see the chapter assembly.

article number	H mm	B mm	L mm	A cm ²	Q _{SK} kN/m	G kg
S						
R 110-10S	110	100	3000	106	0,16	6,30
R 110-20S	110	200	3000	213	0,32	8,10
R 110-30S	110	300	3000	321	0,48	11,60
R 110-40S	110	400	3000	428	0,64	15,50
R 110-50S	110	500	3000	536	0,81	17,80
R 110-60S	110	600	3000	643	0,97	20,20
F						
R 110-10F	110	100	3000	106	0,16	7,10
R 110-20F	110	200	3000	213	0,32	9,10
R 110-30F	110	300	3000	321	0,48	12,80
R 110-40F	110	400	3000	428	0,64	16,90
R 110-50F	110	500	3000	536	0,81	19,40
R 110-60F	110	600	3000	643	0,97	22,00
E						
R 110-10E	110	100	3000	106	0,16	6,80
R 110-20E	110	200	3000	213	0,32	8,70
R 110-30E	110	300	3000	321	0,48	10,60
R 110-40E	110	400	3000	428	0,64	15,60
R 110-50E	110	500	3000	536	0,81	17,90
R 110-60E	110	600	3000	643	0,97	20,30

accessories optional:

RB 110	cable tray bend, height=110 mm	(page B18)
RB45 110	cable tray bend, height=110 mm	(page B20)
RAE 110	cable tray attachment corner, height=110 mm	(page B21)
RAA 110	cable tray attachment branch-piece, height=110 mm	(page B23)
RA 110	cable tray branch-piece, height=110 mm	(page B26)
RK 110	cable tray crossover, height=110 mm	(page B28)
RVB 110	cable tray vertical bend, height=110 mm	(page B31)
RR 110	cable tray reducer, height=110 mm	(page B33)
RAB 110	cable tray closing panel, height=110 mm	(page B35)
REB	cable tray end-plate	(page B36, B43)
RGV 110	cable tray coupler, height=110 mm	(page B38)
VB	connection plate	(page B39, D28)
RTR 110	cable tray barrier strip, height=110 mm	(page B41)
KLR	fixing set	(page G33)



Cable trays

RS 110 cable tray, heavy, not perforated, height=110 mm

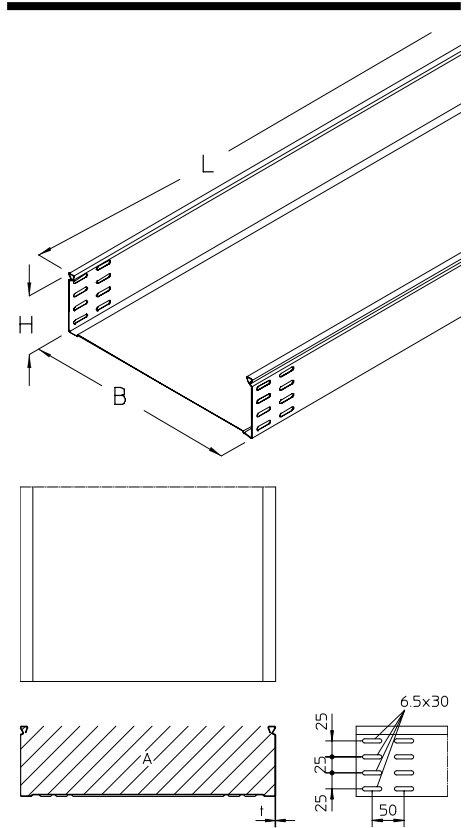
For a load diagram, see the chapter planning.

For assembly instructions, see the chapter assembly.

article number	H mm	B mm	L mm	t mm	A cm ²	Q _{SK} kN/m	G kg
S							
RS 110-10S	110	100	3000	1,5	106	0,16	12,60
RS 110-20S	110	200	3000	1,5	213	0,32	16,00
RS 110-30S	110	300	3000	1,5	321	0,48	19,60
RS 110-40S	110	400	3000	1,5	428	0,64	23,10
RS 110-50S	110	500	3000	1,5	536	0,81	26,60
RS 110-60S	110	600	3000	1,5	643	0,97	30,20
F							
RS 110-10F	110	100	3000	1,5	106	0,16	13,30
RS 110-20F	110	200	3000	1,5	213	0,32	17,00
RS 110-30F	110	300	3000	1,5	321	0,48	20,80
RS 110-40F	110	400	3000	1,5	428	0,64	24,50
RS 110-50F	110	500	3000	1,5	536	0,81	28,20
RS 110-60F	110	600	3000	1,5	643	0,97	32,00

accessories optional:

RB 110	cable tray bend, height=110 mm	(page B18)
RB45 110	cable tray bend, height=110 mm	(page B20)
RAE 110	cable tray attachment corner, height=110 mm	(page B21)
RAA 110	cable tray attachment branch-piece, height=110 mm	(page B23)
RA 110	cable tray branch-piece, height=110 mm	(page B26)
RK 110	cable tray crossover, height=110 mm	(page B28)
RVB 110	cable tray vertical bend, height=110 mm	(page B31)
RR 110	cable tray reducer, height=110 mm	(page B33)
RAB 110	cable tray closing panel, height=110 mm	(page B35)
REB	cable tray end-plate	(page B36, B43)
RGV 110	cable tray coupler, height=110 mm	(page B38)
VB	connection plate	(page B39, D28)
RTR 110	cable tray barrier strip, height=110 mm	(page B41)
KLR	fixing set	(page G33)



Cable trays

RG 110 cable tray, perforated, height=110 mm

This article is also available made in stainless steel finish, material No. 1.4571 / 1.4404 (V4A).

For a load diagram, see the chapter planning.

For an application example, see the chapter assembly.

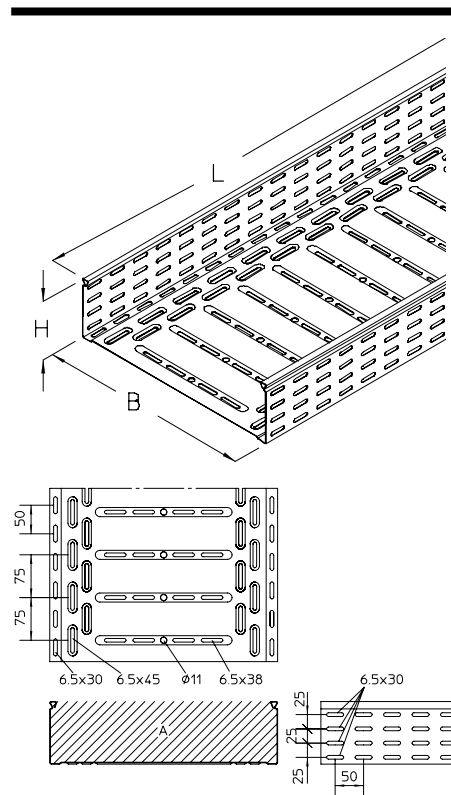
For assembly instructions, see the chapter assembly.



article number	H mm	B mm	L mm	A cm ²	Q _{SK} kN/m	G kg
S						
RG 110-10S	110	100	3000	106	0,16	5,60
RG 110-20S	110	200	3000	213	0,32	7,30
RG 110-30S	110	300	3000	321	0,48	10,50
RG 110-40S	110	400	3000	428	0,64	14,10
RG 110-50S	110	500	3000	536	0,81	16,30
RG 110-60S	110	600	3000	643	0,97	18,50
F						
RG 110-10F	110	100	3000	106	0,16	6,00
RG 110-20F	110	200	3000	213	0,32	7,80
RG 110-30F	110	300	3000	321	0,48	11,20
RG 110-40F	110	400	3000	428	0,64	15,10
RG 110-50F	110	500	3000	536	0,81	17,40
RG 110-60F	110	600	3000	643	0,97	19,80
E						
RG 110-10E	110	100	3000	106	0,16	5,80
RG 110-20E	110	200	3000	213	0,32	7,50
RG 110-30E	110	300	3000	321	0,48	9,20
RG 110-40E	110	400	3000	428	0,64	12,10
RG 110-50E	110	500	3000	536	0,81	13,90
RG 110-60E	110	600	3000	643	0,97	15,80

accessories optional:

RB 110	cable tray bend, height=110 mm	(page B18)
RB45 110	cable tray bend, height=110 mm	(page B20)
RAE 110	cable tray attachment corner, height=110 mm	(page B21)
RAA 110	cable tray attachment branch-piece, height=110 mm	(page B23)
RA 110	cable tray branch-piece, height=110 mm	(page B26)
RK 110	cable tray crossover, height=110 mm	(page B28)
RVB 110	cable tray vertical bend, height=110 mm	(page B31)
RR 110	cable tray reducer, height=110 mm	(page B33)
RAB 110	cable tray closing panel, height=110 mm	(page B35)
REB	cable tray end-plate	(page B36, B43)
RGV 110	cable tray coupler, height=110 mm	(page B38)
VB	connection plate	(page B39, D28)
RTR 110	cable tray barrier strip, height=110 mm	(page B41)
KLR	fixing set	(page G33)



Cable trays

RGS 110 cable tray, heavy, perforated, height=110 mm

For a load diagram, see the chapter planning.

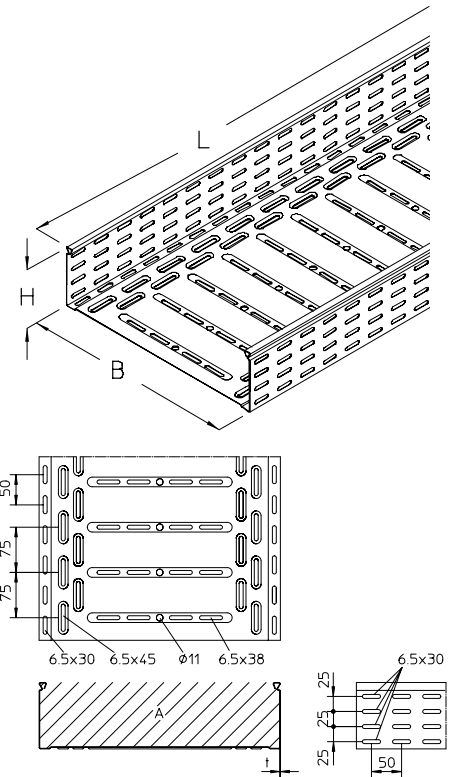
For an application example, see the chapter assembly.

For assembly instructions, see the chapter assembly.

article number	H mm	B mm	L mm	t mm	A cm ²	Q _{SK} kN/m	G kg
S							
RGS 110-10S	110	100	3000	1,5	106	0,16	10,90
RGS 110-20S	110	200	3000	1,5	213	0,32	14,50
RGS 110-30S	110	300	3000	1,5	321	0,48	17,80
RGS 110-40S	110	400	3000	1,5	428	0,64	21,10
RGS 110-50S	110	500	3000	1,5	536	0,81	24,40
RGS 110-60S	110	600	3000	1,5	643	0,97	27,70
F							
RGS 110-10F	110	100	3000	1,5	106	0,16	11,70
RGS 110-20F	110	200	3000	1,5	213	0,32	15,50
RGS 110-30F	110	300	3000	1,5	321	0,48	19,00
RGS 110-40F	110	400	3000	1,5	428	0,64	22,60
RGS 110-50F	110	500	3000	1,5	536	0,81	26,10
RGS 110-60F	110	600	3000	1,5	643	0,97	29,60

accessories optional:

RB 110	cable tray bend, height=110 mm	(page B18)
RB45 110	cable tray bend, height=110 mm	(page B20)
RAE 110	cable tray attachment corner, height=110 mm	(page B21)
RAA 110	cable tray attachment branch-piece, height=110 mm	(page B23)
RA 110	cable tray branch-piece, height=110 mm	(page B26)
RK 110	cable tray crossover, height=110 mm	(page B28)
RVB 110	cable tray vertical bend, height=110 mm	(page B31)
RR 110	cable tray reducer, height=110 mm	(page B33)
RAB 110	cable tray closing panel, height=110 mm	(page B35)
REB	cable tray end-plate	(page B36, B43)
RGV 110	cable tray coupler, height=110 mm	(page B38)
VB	connection plate	(page B39, D28)
RTR 110	cable tray barrier strip, height=110 mm	(page B41)
KLR	fixing set	(page G33)



Cable trays

RI 60 cable installation tray, height=60 mm

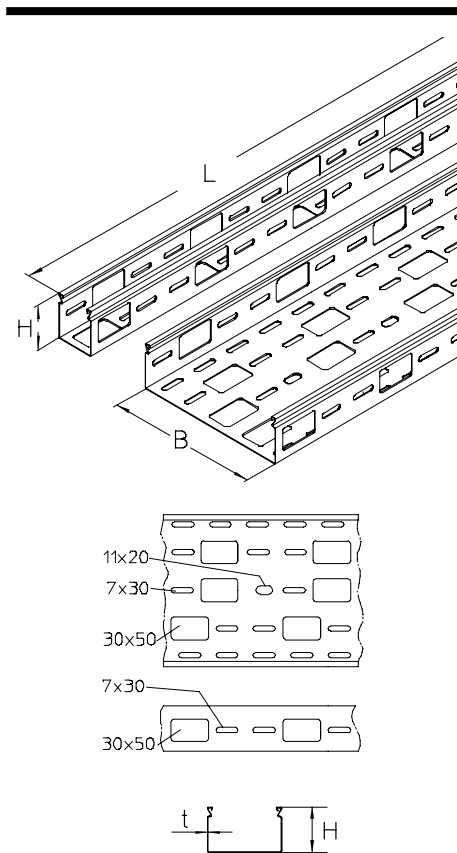
For a load diagram, see the chapter planning.
For an application example, see the chapter assembly.



article number	H mm	B mm	L mm	t mm	G kg
S					
RI 60-05S	60	50	3000	1,0	3,50
RI 60-10S	60	100	3000	1,0	4,50
RI 60-15S	60	150	3000	1,0	5,70
RI 60-20S	60	200	3000	1,0	6,30
RI 60-30S	60	300	3000	1,0	8,00
F					
RI 60-05F	60	50	3000	1,0	3,80
RI 60-10F	60	100	3000	1,0	4,80
RI 60-15F	60	150	3000	1,0	6,10
RI 60-20F	60	200	3000	1,0	6,70
RI 60-30F	60	300	3000	1,0	8,60
E					
RI 60-05E	60	50	3000	1,0	3,49
RI 60-10E	60	100	3000	1,0	4,51
RI 60-15E	60	150	3000	1,0	5,78
RI 60-20E	60	200	3000	1,0	6,20
RI 60-30E	60	300	3000	1,0	8,70

accessories optional:

RIV 60	cable tray coupler, height=60 mm	(page B43)
VB	connection plate	(page B39, D28)
REB	cable tray end-plate	(page B36, B43)
KSR	cable protection ring	(page B45)
AHB	suspension-bow	(page B45)
KLR	fixing set	(page G33)
RID	cable installation tray cover	(page B44)
RIDR	cable installation tray cover with bar lock	(page B45)



Cable trays

Fittings

RB 35 cable tray bend, height=35 mm

For an application example, see the chapter assembly.

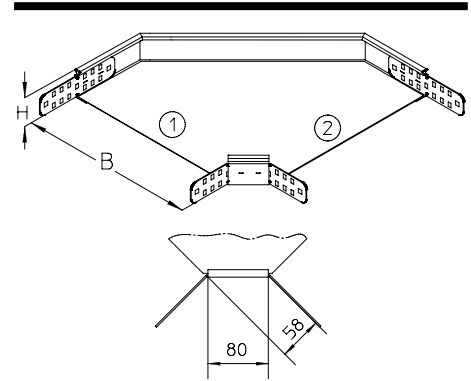
article number	H mm	B mm	G kg
S			
RB 35-10S	35	100	0,40
RB 35-20S	35	200	0,70
RB 35-30S	35	300	1,20

accessories included:
2 x **KLR** fixing set (page G33)

article number	H mm	B mm	G kg
F			
RB 35-10F	35	100	0,40
RB 35-20F	35	200	0,70
RB 35-30F	35	300	1,30

accessories included:
2 x **KLR E** fixing set (page G33)

accessories optional:
VB connection plate (page B39, D28)



RB 60 cable tray bend, height=60 mm

This article is also available made in stainless steel finish, material No. 1.4571 / 1.4404 (V4A).
For an application example, see the chapter assembly.

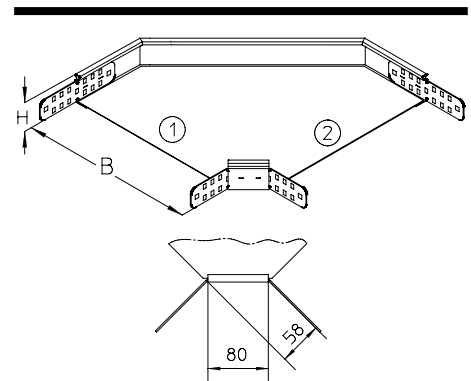
article number	H mm	B mm	G kg
S			
RB 60-10S	60	100	0,80
RB 60-20S	60	200	1,10
RB 60-30S	60	300	1,60
RB 60-40S	60	400	2,20
RB 60-50S	60	500	3,10
RB 60-60S	60	600	4,00

accessories included:
2 x **KLR** fixing set (page G33)

article number	H mm	B mm	G kg
F			
RB 60-10F	60	100	0,90
RB 60-20F	60	200	1,20
RB 60-30F	60	300	1,70
RB 60-40F	60	400	2,40
RB 60-50F	60	500	3,30
RB 60-60F	60	600	4,30

accessories included:
2 x **KLR E** fixing set (page G33)

accessories optional:
VB connection plate (page B39, D28)



Cable trays

Fittings

RB 60 cable tray bend, height=60 mm

This article is also available made in stainless steel finish, material No. 1.4571 / 1.4404 (V4A).
For an application example, see the chapter assembly.

article number	H mm	B mm	G kg
E			
RB 60-10E	60	100	0,70
RB 60-20E	60	200	1,00
RB 60-30E	60	300	1,50
RB 60-40E	60	400	2,10
RB 60-50E	60	500	2,90
RB 60-60E	60	600	3,90

accessories included:
2 x **KLR E** fixing set (page G33)

accessories optional:
VB connection plate (page B39, D28)

RB 85 cable tray bend, height=85 mm

For an application example, see the chapter assembly.

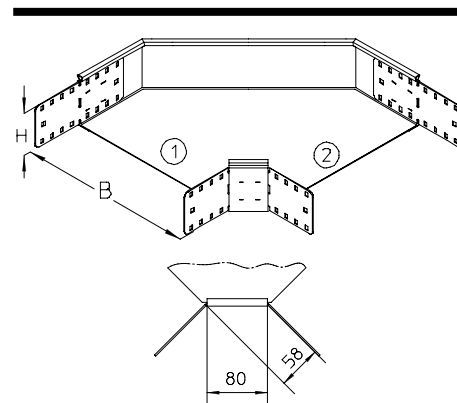
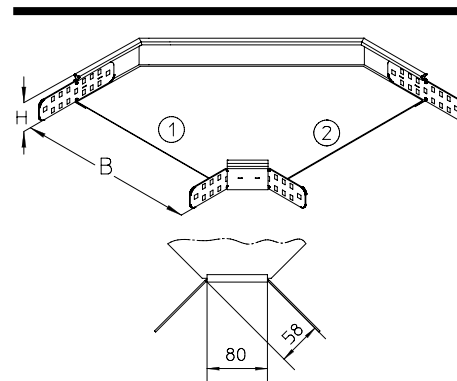
article number	H mm	B mm	G kg
S			
RB 85-10S	85	100	1,20
RB 85-20S	85	200	1,50
RB 85-30S	85	300	2,00
RB 85-40S	85	400	2,60
RB 85-50S	85	500	3,40
RB 85-60S	85	600	4,40

accessories included:
4 x **KLR** fixing set (page G33)

article number	H mm	B mm	G kg
F			
RB 85-10F	85	100	1,20
RB 85-20F	85	200	1,60
RB 85-30F	85	300	2,10
RB 85-40F	85	400	2,80
RB 85-50F	85	500	3,60
RB 85-60F	85	600	4,70

accessories included:
4 x **KLR E** fixing set (page G33)

accessories optional:
VB connection plate (page B39, D28)



Cable trays

Fittings

RB 110 cable tray bend, height=110 mm

This article is also available made in stainless steel finish, material No. 1.4571 / 1.4404 (V4A).
For an application example, see the chapter assembly.

article number	H mm	B mm	G kg
S			
RB 110-10S	110	100	1,60
RB 110-20S	110	200	1,90
RB 110-30S	110	300	2,40
RB 110-40S	110	400	3,00
RB 110-50S	110	500	3,80
RB 110-60S	110	600	4,80

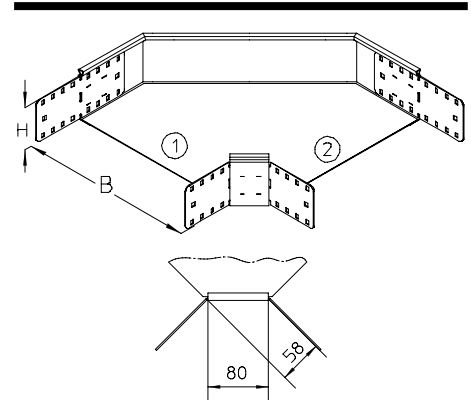
accessories included:
4 x **KLR** fixing set (page G33)

article number	H mm	B mm	G kg
F			
RB 110-10F	110	100	1,70
RB 110-20F	110	200	2,00
RB 110-30F	110	300	2,50
RB 110-40F	110	400	3,20
RB 110-50F	110	500	4,10
RB 110-60F	110	600	5,10

article number	H mm	B mm	G kg
E			
RB 110-10E	110	100	1,20
RB 110-20E	110	200	1,50
RB 110-30E	110	300	2,00
RB 110-40E	110	400	2,70
RB 110-50E	110	500	3,50
RB 110-60E	110	600	4,40

accessories included:
4 x **KLR E** fixing set (page G33)

accessories optional:
VB connection plate (page B39, D28)



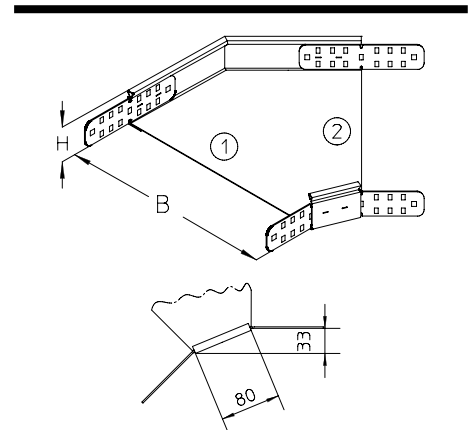
RB45 60 cable tray bend, height=60 mm

This article is also available made in stainless steel finish, material No. 1.4571 / 1.4404 (V4A).
For an application example, see the chapter assembly.

article number	H mm	B mm	G kg
S			
RB45 60-10S	60	100	0,50
RB45 60-20S	60	200	0,80
RB45 60-30S	60	300	1,20
RB45 60-40S	60	400	1,60
RB45 60-50S	60	500	2,50
RB45 60-60S	60	600	3,20

accessories included:
2 x **KLR** fixing set (page G33)

accessories optional:
VB connection plate (page B39, D28)



Cable trays

Fittings

RB45 60 cable tray bend, height=60 mm

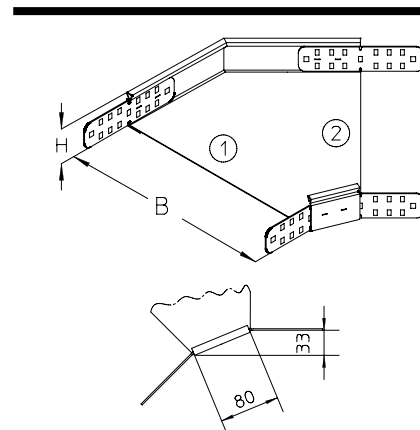
This article is also available made in stainless steel finish, material No. 1.4571 / 1.4404 (V4A).
For an application example, see the chapter assembly.

article number	H mm	B mm	G kg
F			
RB45 60-10F	60	100	0,60
RB45 60-20F	60	200	0,80
RB45 60-30F	60	300	1,30
RB45 60-40F	60	400	1,80
RB45 60-50F	60	500	2,70
RB45 60-60F	60	600	3,50

E			
RB45 60-10E	60	100	0,40
RB45 60-20E	60	200	0,70
RB45 60-30E	60	300	1,10
RB45 60-40E	60	400	1,50
RB45 60-50E	60	500	2,40
RB45 60-60E	60	600	3,10

accessories included:
2 x **KLR E** fixing set (page G33)

accessories optional:
VB connection plate (page B39, D28)



RB45 85 cable tray bend, height=85 mm

For an application example, see the chapter assembly.

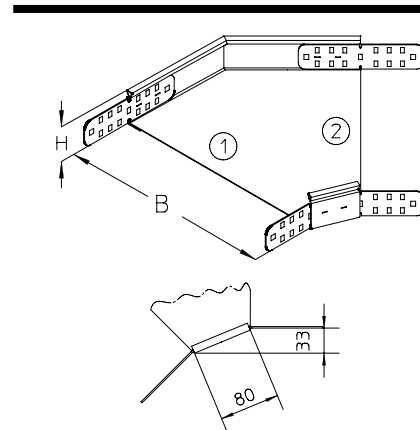
article number	H mm	B mm	G kg
S			
RB45 85-10S	85	100	0,70
RB45 85-20S	85	200	1,00
RB45 85-30S	85	300	1,40
RB45 85-40S	85	400	1,90
RB45 85-50S	85	500	2,70
RB45 85-60S	85	600	3,50

accessories included:
4 x **KLR** fixing set (page G33)

article number	H mm	B mm	G kg
F			
RB45 85-10F	85	100	0,80
RB45 85-20F	85	200	1,10
RB45 85-30F	85	300	1,50
RB45 85-40F	85	400	2,10
RB45 85-50F	85	500	3,00
RB45 85-60F	85	600	3,80

accessories included:
4 x **KLR E** fixing set (page G33)

accessories optional:
VB connection plate (page B39, D28)



Cable trays

Fittings

RB45 110 cable tray bend, height=110 mm

This article is also available made in stainless steel finish, material No. 1.4571 / 1.4404 (V4A).
For an application example, see the chapter assembly.

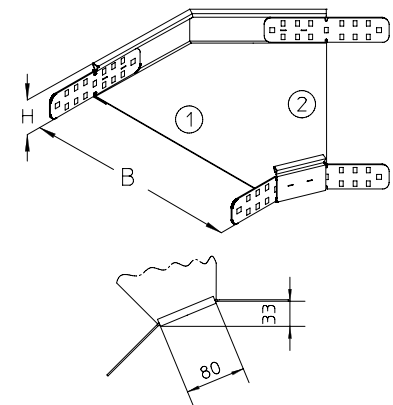
article number	H mm	B mm	G kg
S			
RB45 110-10S	110	100	0,90
RB45 110-20S	110	200	1,10
RB45 110-30S	110	300	1,60
RB45 110-40S	110	400	2,10
RB45 110-50S	110	500	2,90
RB45 110-60S	110	600	3,70

accessories included:
4 x **KLR** fixing set (page G33)

article number	H mm	B mm	G kg
F			
RB45 110-10F	110	100	1,00
RB45 110-20F	110	200	1,30
RB45 110-30F	110	300	1,80
RB45 110-40F	110	400	2,30
RB45 110-50F	110	500	3,20
RB45 110-60F	110	600	4,10

accessories included:
4 x **KLR E** fixing set (page G33)

accessories optional:
VB connection plate (page B39, D28)



RAE 60 cable tray attachment corner, height=60 mm

For an application example, see the chapter assembly.

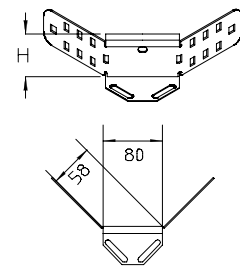
article number	H mm	G kg
S		
RAE 60S	60	0,30

accessories included:
3 x **KLR** fixing set (page G33)

article number	H mm	G kg
F		
RAE 60F	60	0,30
E		
RAE 60E	60	0,30

accessories included:
3 x **KLR E** fixing set (page G33)

accessories optional:
VB connection plate (page B39, D28)



Cable trays

Fittings

RAE 110 cable tray attachment corner, height=110 mm

For an application example, see the chapter assembly.

article number	H mm	G kg
S		
RAE 110S	110	0,60

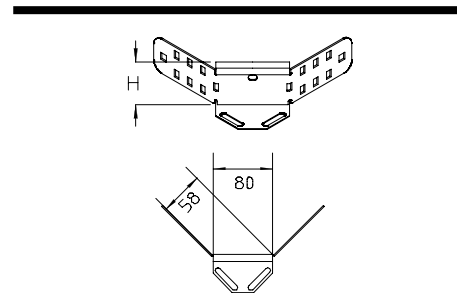
accessories included:
3 x **KLR** fixing set (page G33)

article number	H mm	G kg
F		
RAE 110F	110	0,60

E		
RAE 110E	110	0,60

accessories included:
3 x **KLR E** fixing set (page G33)

accessories optional:
VB connection plate (page B39, D28)



RAA 35 cable tray attachment branch-piece, height=35 mm

For an application example, see the chapter assembly.

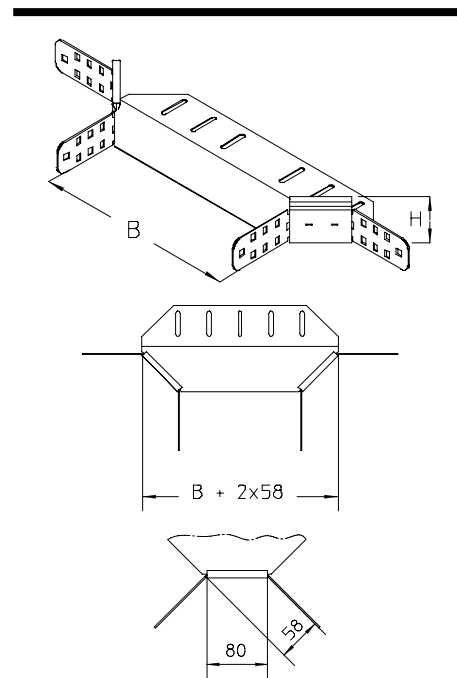
article number	H mm	B mm	G kg
S			
RAA 35-10S	35	100	0,50
RAA 35-20S	35	200	0,60
RAA 35-30S	35	300	0,80

accessories included:
2 x **KLR** fixing set (page G33)

article number	H mm	B mm	G kg
F			
RAA 35-10F	35	100	0,50
RAA 35-20F	35	200	0,70
RAA 35-30F	35	300	0,80

accessories included:
2 x **KLR E** fixing set (page G33)

accessories optional:
VB connection plate (page B39, D28)



Cable trays

Fittings

RAA 60 cable tray attachment branch-piece, height=60 mm

This article is also available made in stainless steel finish, material No. 1.4571 / 1.4404 (V4A).
For an application example, see the chapter assembly.

article number	H mm	B mm	G kg
S			
RAA 60-10S	60	100	0,80
RAA 60-20S	60	200	0,90
RAA 60-30S	60	300	1,00
RAA 60-40S	60	400	1,20
RAA 60-50S	60	500	1,30
RAA 60-60S	60	600	1,40

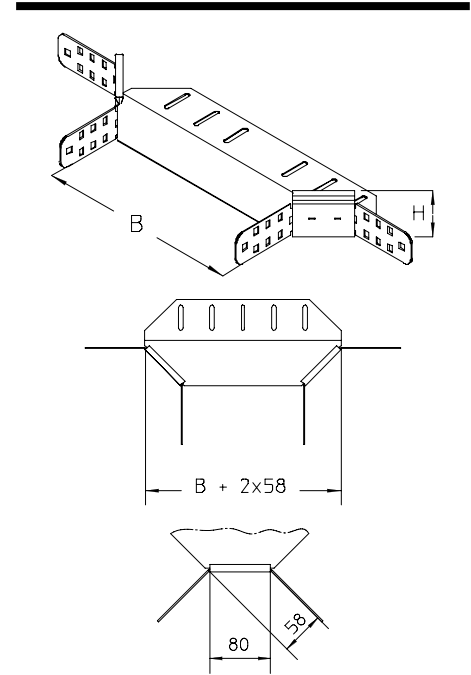
accessories included:
2 x **KLR** fixing set (page G33)

article number	H mm	B mm	G kg
F			
RAA 60-10F	60	100	0,80
RAA 60-20F	60	200	1,00
RAA 60-30F	60	300	1,10
RAA 60-40F	60	400	1,30
RAA 60-50F	60	500	1,40
RAA 60-60F	60	600	1,50

article number	H mm	B mm	G kg
E			
RAA 60-10E	60	100	0,70
RAA 60-20E	60	200	0,80
RAA 60-30E	60	300	1,00
RAA 60-40E	60	400	1,10
RAA 60-50E	60	500	1,20
RAA 60-60E	60	600	1,40

accessories included:
2 x **KLR E** fixing set (page G33)

accessories optional:
VB connection plate (page B39, D28)



Cable trays

Fittings

RAA 85 cable tray attachment branch-piece, height=85 mm

For an application example, see the chapter assembly.

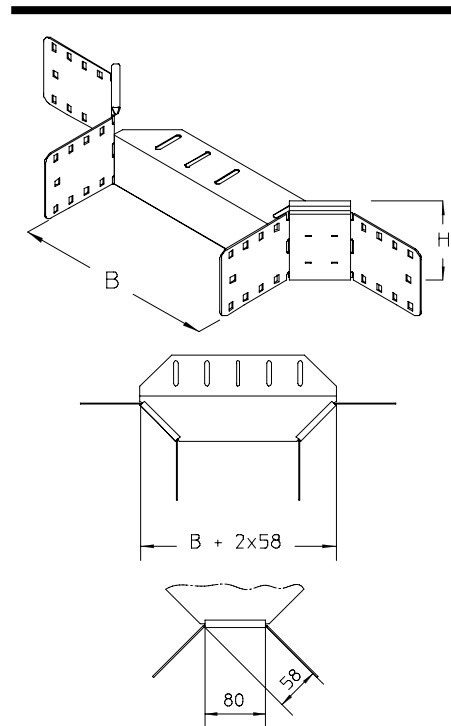
article number	H mm	B mm	G kg
S			
RAA 85-10S	85	100	1,00
RAA 85-20S	85	200	1,20
RAA 85-30S	85	300	1,30
RAA 85-40S	85	400	1,40
RAA 85-50S	85	500	1,60
RAA 85-60S	85	600	1,70

accessories included:
4 x **KLR** fixing set (page G33)

article number	H mm	B mm	G kg
F			
RAA 85-10F	85	100	1,10
RAA 85-20F	85	200	1,20
RAA 85-30F	85	300	1,40
RAA 85-40F	85	400	1,50
RAA 85-50F	85	500	1,70
RAA 85-60F	85	600	1,80

accessories included:
4 x **KLR E** fixing set (page G33)

accessories optional:
VB connection plate (page B39, D28)



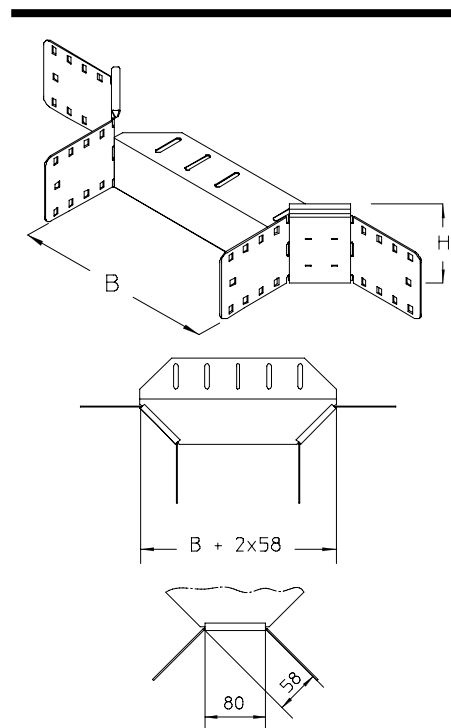
RAA 110 cable tray attachment branch-piece, height=110 mm

This article is also available made in stainless steel finish, material No. 1.4571 / 1.4404 (V4A).
For an application example, see the chapter assembly.

article number	H mm	B mm	G kg
S			
RAA 110-10S	110	100	1,20
RAA 110-20S	110	200	1,40
RAA 110-30S	110	300	1,50
RAA 110-40S	110	400	1,70
RAA 110-50S	110	500	1,80
RAA 110-60S	110	600	1,90

accessories included:
4 x **KLR** fixing set (page G33)

accessories optional:
VB connection plate (page B39, D28)



Cable trays

Fittings

RAA 110 cable tray attachment branch-piece, height=110 mm

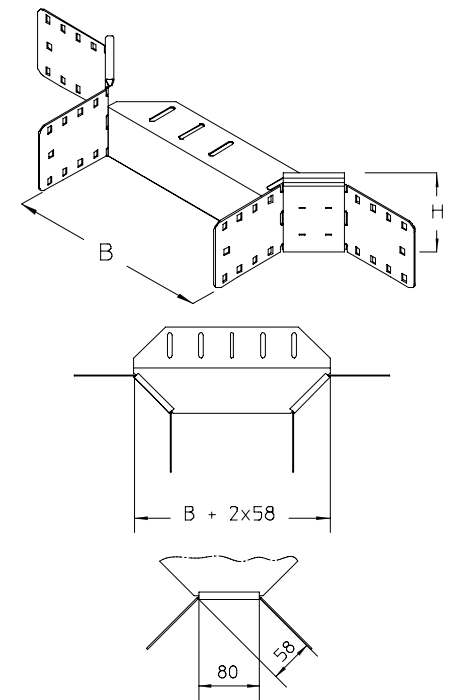
This article is also available made in stainless steel finish, material No. 1.4571 / 1.4404 (V4A).
For an application example, see the chapter assembly.

article number	H mm	B mm	G kg
F			
RAA 110-10F	110	100	1,30
RAA 110-20F	110	200	1,50
RAA 110-30F	110	300	1,60
RAA 110-40F	110	400	1,80
RAA 110-50F	110	500	1,90
RAA 110-60F	110	600	2,10

E			
RAA 110-10E	110	100	1,10
RAA 110-20E	110	200	1,20
RAA 110-30E	110	300	1,40
RAA 110-40E	110	400	1,50
RAA 110-50E	110	500	1,60
RAA 110-60E	110	600	1,80

accessories included:
4 x **KLR E** fixing set (page G33)

accessories optional:
VB connection plate (page B39, D28)



RA 35 cable tray branch-piece, height=35 mm

For an application example, see the chapter assembly.

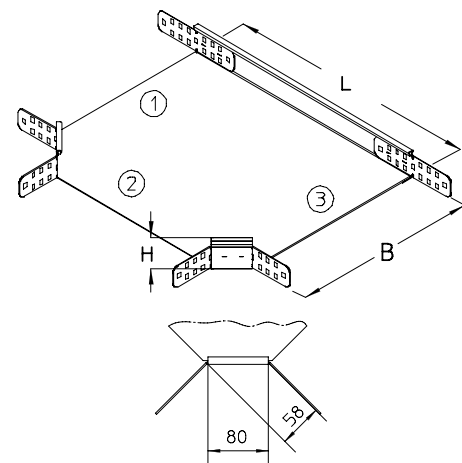
article number	H mm	B mm	L mm	G kg
S				
RA 35-10S	35	100	214	0,80
RA 35-20S	35	200	314	1,30
RA 35-30S	35	300	414	2,00

accessories included:
3 x **KLR** fixing set (page G33)

article number	H mm	B mm	L mm	G kg
F				
RA 35-10F	35	100	214	0,80
RA 35-20F	35	200	314	1,40
RA 35-30F	35	300	414	2,20

accessories included:
3 x **KLR E** fixing set (page G33)

accessories optional:
VB connection plate (page B39, D28)



Cable trays

Fittings

RA 60 cable tray branch-piece, height=60 mm

This article is also available made in stainless steel finish, material No. 1.4571 / 1.4404 (V4A).
For an application example, see the chapter assembly.

article number	H mm	B mm	L mm	G kg
S				
RA 60-10S	60	100	214	1,30
RA 60-20S	60	200	314	1,80
RA 60-30S	60	300	414	2,60
RA 60-40S	60	400	514	3,50
RA 60-50S	60	500	614	5,30
RA 60-60S	60	600	714	6,90

accessories included:
3 x **KLR** fixing set (page G33)

article number	H mm	B mm	L mm	G kg
F				
RA 60-10F	60	100	214	1,40
RA 60-20F	60	200	314	1,90
RA 60-30F	60	300	414	2,80
RA 60-40F	60	400	514	3,70
RA 60-50F	60	500	614	5,70
RA 60-60F	60	600	714	7,40

article number	H mm	B mm	L mm	G kg
E				
RA 60-10E	60	100	214	1,10
RA 60-20E	60	200	314	1,60
RA 60-30E	60	300	414	2,50
RA 60-40E	60	400	514	3,40
RA 60-50E	60	500	614	5,20
RA 60-60E	60	600	714	6,80

accessories included:
3 x **KLR E** fixing set (page G33)

accessories optional:
VB connection plate (page B39, D28)

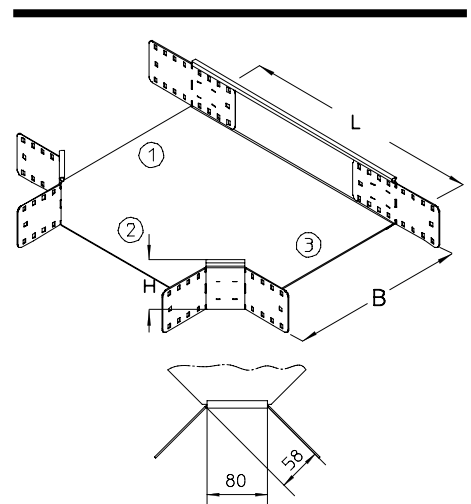
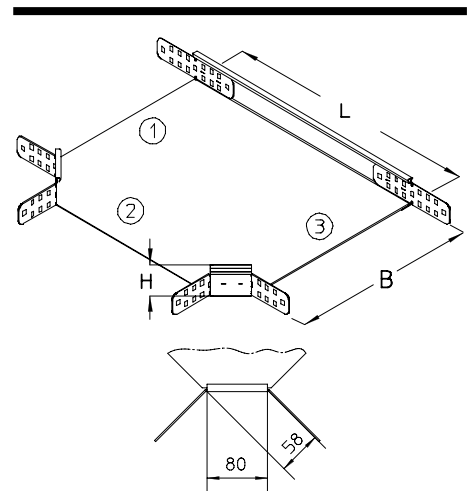
RA 85 cable tray branch-piece, height=85 mm

For an application example, see the chapter assembly.

article number	H mm	B mm	L mm	G kg
S				
RA 85-10S	85	100	214	1,70
RA 85-20S	85	200	314	2,30
RA 85-30S	85	300	414	3,10
RA 85-40S	85	400	514	4,10
RA 85-50S	85	500	614	5,80
RA 85-60S	85	600	714	7,40

accessories included:
6 x **KLR** fixing set (page G33)

accessories optional:
VB connection plate (page B39, D28)



Cable trays

Fittings

RA 85 cable tray branch-piece, height=85 mm

For an application example, see the chapter assembly.

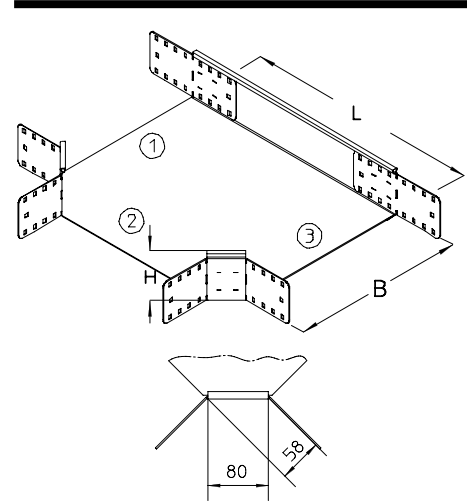
article number	H mm	B mm	L mm	G kg
F				
RA 85-10F	85	100	214	1,90
RA 85-20F	85	200	314	2,50
RA 85-30F	85	300	414	3,30
RA 85-40F	85	400	514	4,40
RA 85-50F	85	500	614	6,20
RA 85-60F	85	600	714	7,90

accessories included:

6 x **KLR E** fixing set (page G33)

accessories optional:

VB connection plate (page B39, D28)



RA 110 cable tray branch-piece, height=110 mm

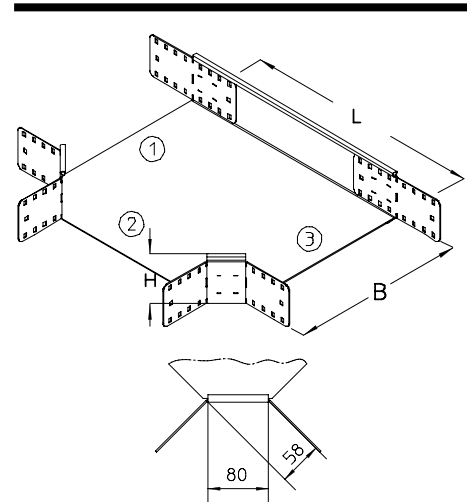
This article is also available made in stainless steel finish, material No. 1.4571 / 1.4404 (V4A).

For an application example, see the chapter assembly.

article number	H mm	B mm	L mm	G kg
S				
RA 110-10S	110	100	214	2,20
RA 110-20S	110	200	314	2,90
RA 110-30S	110	300	414	3,60
RA 110-40S	110	400	514	4,60
RA 110-50S	110	500	614	6,30
RA 110-60S	110	600	714	7,90

accessories included:

6 x **KLR** fixing set (page G33)



article number	H mm	B mm	L mm	G kg
F				
RA 110-10F	110	100	214	2,40
RA 110-20F	110	200	314	3,10
RA 110-30F	110	300	414	3,90
RA 110-40F	110	400	514	4,90
RA 110-50F	110	500	614	6,70
RA 110-60F	110	600	714	8,50

E				
RA 110-10E	110	100	214	2,00
RA 110-20E	110	200	314	2,70
RA 110-30E	110	300	414	3,30
RA 110-40E	110	400	514	4,20
RA 110-50E	110	500	614	6,10
RA 110-60E	110	600	714	7,60

accessories included:

6 x **KLR E** fixing set (page G33)

accessories optional:

VB connection plate (page B39, D28)

Cable trays

Fittings

RK 35 cable tray crossover, height=35 mm

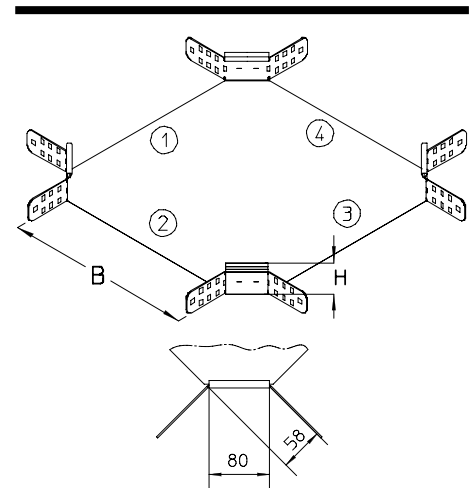
article number	H mm	B mm	G kg
S			
RK 35-10S	35	100	0,60
RK 35-20S	35	200	0,90
RK 35-30S	35	300	1,70

accessories included:
4 x **KLR** fixing set (page G33)

article number	H mm	B mm	G kg
F			
RK 35-10F	35	100	0,70
RK 35-20F	35	200	1,00
RK 35-30F	35	300	1,80

accessories included:
4 x **KLR E** fixing set (page G33)

accessories optional:
VB connection plate (page B39, D28)



RK 60 cable tray crossover, height=60 mm

This article is also available made in stainless steel finish, material No. 1.4571 / 1.4404 (V4A).

article number	H mm	B mm	G kg
S			
RK 60-10S	60	100	1,00
RK 60-20S	60	200	1,30
RK 60-30S	60	300	2,00
RK 60-40S	60	400	2,80
RK 60-50S	60	500	4,40
RK 60-60S	60	600	5,70

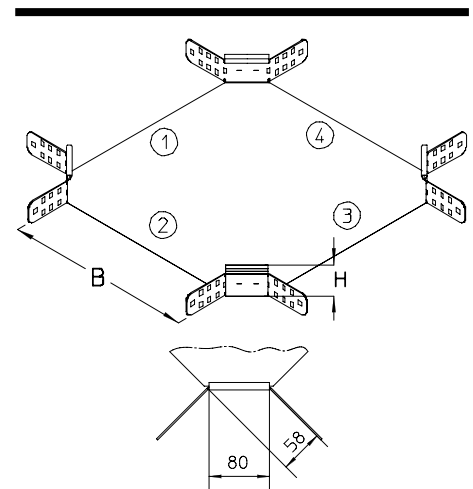
accessories included:
4 x **KLR** fixing set (page G33)

article number	H mm	B mm	G kg
F			
RK 60-10F	60	100	1,10
RK 60-20F	60	200	1,40
RK 60-30F	60	300	2,10
RK 60-40F	60	400	3,00
RK 60-50F	60	500	4,70
RK 60-60F	60	600	6,10

E			
RK 60-10E	60	100	0,90
RK 60-20E	60	200	1,20
RK 60-30E	60	300	1,90
RK 60-40E	60	400	2,70
RK 60-50E	60	500	4,30
RK 60-60E	60	600	5,60

accessories included:
4 x **KLR E** fixing set (page G33)

accessories optional:
VB connection plate (page B39, D28)



Cable trays

Fittings

RK 85 cable tray crossover, height=85 mm

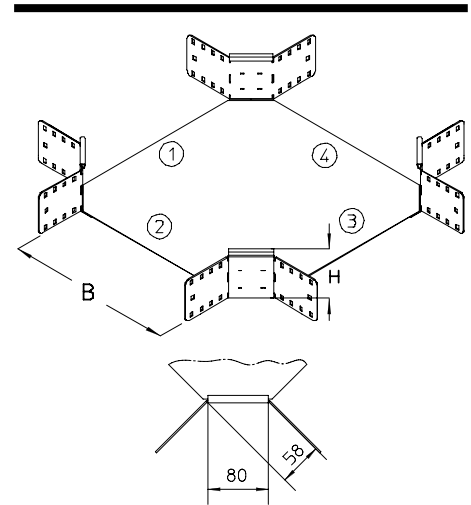
article number	H mm	B mm	G kg
S			
RK 85-10S	85	100	1,50
RK 85-20S	85	200	2,00
RK 85-30S	85	300	2,50
RK 85-40S	85	400	3,80
RK 85-50S	85	500	4,90
RK 85-60S	85	600	6,20

accessories included:
8 x **KLR** fixing set (page G33)

article number	H mm	B mm	G kg
F			
RK 85-10F	85	100	1,60
RK 85-20F	85	200	2,10
RK 85-30F	85	300	2,70
RK 85-40F	85	400	4,10
RK 85-50F	85	500	5,20
RK 85-60F	85	600	6,60

accessories included:
8 x **KLR E** fixing set (page G33)

accessories optional:
VB connection plate (page B39, D28)



RK 110 cable tray crossover, height=110 mm

This article is also available made in stainless steel finish, material No. 1.4571 / 1.4404 (V4A).

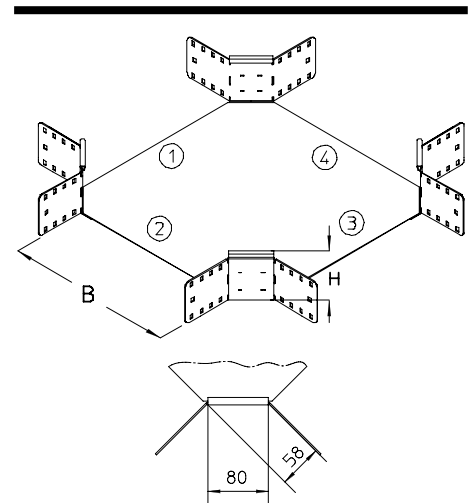
article number	H mm	B mm	G kg
S			
RK 110-10S	110	100	1,70
RK 110-20S	110	200	2,40
RK 110-30S	110	300	3,00
RK 110-40S	110	400	4,20
RK 110-50S	110	500	5,30
RK 110-60S	110	600	6,60

accessories included:
8 x **KLR** fixing set (page G33)

article number	H mm	B mm	G kg
F			
RK 110-10F	110	100	1,80
RK 110-20F	110	200	2,60
RK 110-30F	110	300	3,20
RK 110-40F	110	400	4,50
RK 110-50F	110	500	5,70
RK 110-60F	110	600	7,10

accessories included:
8 x **KLR E** fixing set (page G33)

accessories optional:
VB connection plate (page B39, D28)



Cable trays

Fittings

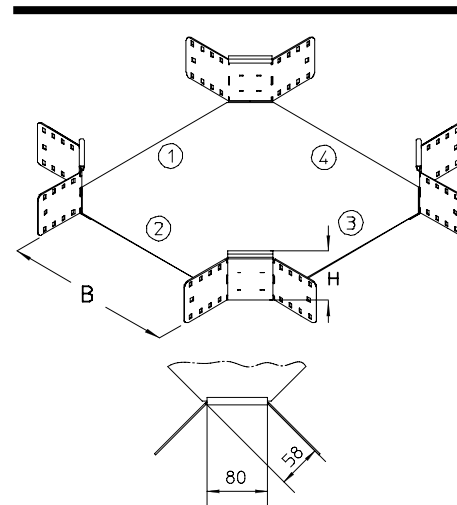
RK 110 cable tray crossover, height=110 mm

This article is also available made in stainless steel finish, material No. 1.4571 / 1.4404 (V4A).

article number	H mm	B mm	G kg
E			
RK 110-10E	110	100	1,50
RK 110-20E	110	200	2,20
RK 110-30E	110	300	2,80
RK 110-40E	110	400	4,00
RK 110-50E	110	500	5,10
RK 110-60E	110	600	6,40

accessories included:
8 x **KLR E** fixing set (page G33)

accessories optional:
VB connection plate (page B39, D28)



RVB 35 cable tray vertical bend, height=35 mm

For an application example, see the chapter assembly.

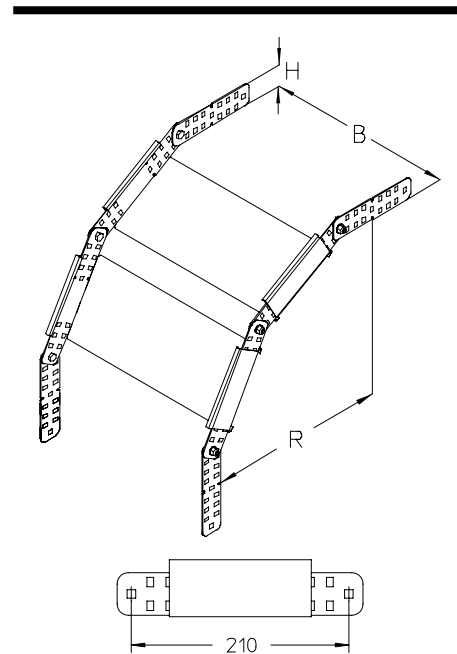
article number	H mm	B mm	R mm	G kg
S				
RVB 35-10S	35	100	280	1,40
RVB 35-20S	35	200	280	1,90
RVB 35-30S	35	300	280	2,40

accessories included:
2 x **KLR** fixing set (page G33)

article number	H mm	B mm	R mm	G kg
F				
RVB 35-10F	35	100	280	1,50
RVB 35-20F	35	200	280	2,00
RVB 35-30F	35	300	280	2,60

accessories included:
2 x **KLR E** fixing set (page G33)

accessories optional:
REB cable tray end-plate (page B36, B43)



Cable trays

Fittings

RVB 60 cable tray vertical bend, height=60 mm

This article is also available made in stainless steel finish, material No. 1.4571 / 1.4404 (V4A).
For an application example, see the chapter assembly.

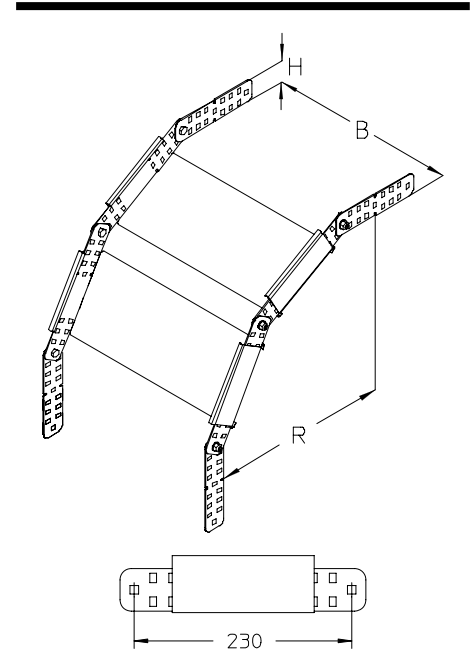
article number	H mm	B mm	R mm	G kg
S				
RVB 60-10S	60	100	300	2,00
RVB 60-20S	60	200	300	2,50
RVB 60-30S	60	300	300	3,00
RVB 60-40S	60	400	300	3,50
RVB 60-50S	60	500	300	4,00
RVB 60-60S	60	600	300	4,50

accessories included:
2 x **KLR** fixing set (page G33)

article number	H mm	B mm	R mm	G kg
F				
RVB 60-10F	60	100	300	2,10
RVB 60-20F	60	200	300	2,70
RVB 60-30F	60	300	300	3,20
RVB 60-40F	60	400	300	3,80
RVB 60-50F	60	500	300	4,30
RVB 60-60F	60	600	300	4,80

accessories included:
2 x **KLR E** fixing set (page G33)

accessories optional:
REB cable tray end-plate (page B36, B43)



RVB 85 cable tray vertical bend, height=85 mm

For an application example, see the chapter assembly.

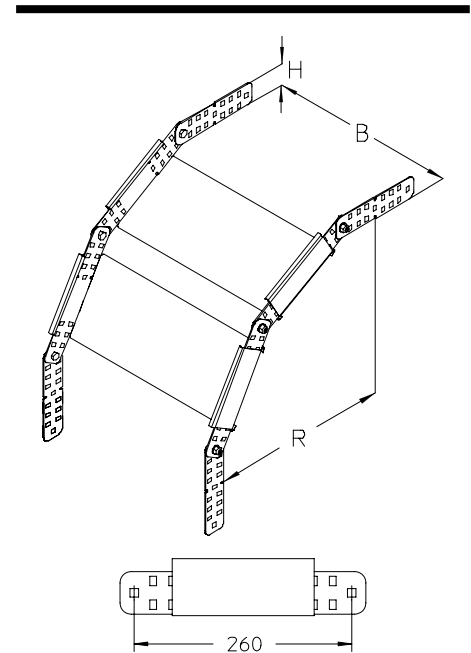
article number	H mm	B mm	R mm	G kg
S				
RVB 85-10S	85	100	330	2,80
RVB 85-20S	85	200	330	3,30
RVB 85-30S	85	300	330	3,80
RVB 85-40S	85	400	330	4,30
RVB 85-50S	85	500	330	4,80
RVB 85-60S	85	600	330	5,30

accessories included:
4 x **KLR** fixing set (page G33)

article number	H mm	B mm	R mm	G kg
F				
RVB 85-10F	85	100	330	3,00
RVB 85-20F	85	200	330	3,50
RVB 85-30F	85	300	330	4,10
RVB 85-40F	85	400	330	4,60
RVB 85-50F	85	500	330	5,10
RVB 85-60F	85	600	330	5,70

accessories included:
4 x **KLR E** fixing set (page G33)

accessories optional:
REB cable tray end-plate (page B36, B43)



Cable trays

Fittings

RVB 110 cable tray vertical bend, height=110 mm

This article is also available made in stainless steel finish, material No. 1.4571 / 1.4404 (V4A).
For an application example, see the chapter assembly.

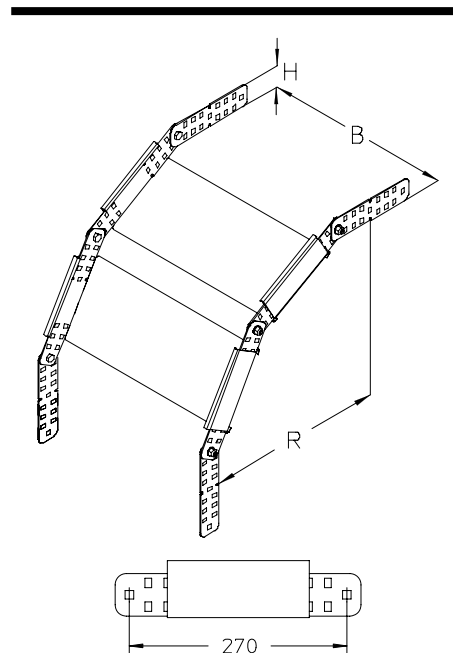
article number	H mm	B mm	R mm	G kg
S				
RVB 110-10S	110	100	375	3,70
RVB 110-20S	110	200	375	4,20
RVB 110-30S	110	300	375	4,70
RVB 110-40S	110	400	375	5,20
RVB 110-50S	110	500	375	5,70
RVB 110-60S	110	600	375	6,20

accessories included:
4 x **KLR** fixing set (page G33)

article number	H mm	B mm	R mm	G kg
F				
RVB 110-10F	110	100	375	4,00
RVB 110-20F	110	200	375	4,50
RVB 110-30F	110	300	375	5,00
RVB 110-40F	110	400	375	5,60
RVB 110-50F	110	500	375	6,10
RVB 110-60F	110	600	375	6,60

accessories included:
4 x **KLR E** fixing set (page G33)

accessories optional:
REB cable tray end-plate (page B36, B43)



RR 35 cable tray reducer, height=35 mm

Please quote the design (left, centred, right) and the side width with your order.
For an application example, see the chapter assembly.

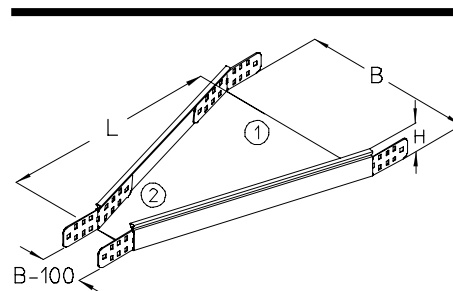
article number	H mm	B mm	L mm	G kg
S				
RR 35-20S	35	200	500	1,20
RR 35-30S	35	300	500	1,60

accessories included:
2 x **KLR** fixing set (page G33)

article number	H mm	B mm	L mm	G kg
F				
RR 35-20F	35	200	500	1,30
RR 35-30F	35	300	500	1,80

accessories included:
2 x **KLR E** fixing set (page G33)

accessories optional:
VB connection plate (page B39, D28)



Cable trays

Fittings

RR 60 cable tray reducer, height=60 mm

Please quote the design (left, centred, right) and the side width with your order. This article is also available made in stainless steel finish, material No. 1.4571 / 1.4404 (V4A).
For an application example, see the chapter assembly.

article number	H mm	B mm	L mm	G kg
S				
RR 60-20S	60	200	500	1,40
RR 60-30S	60	300	500	1,80
RR 60-40S	60	400	500	2,20
RR 60-50S	60	500	500	2,60
RR 60-60S	60	600	500	2,90

accessories included:
2 x **KLR** fixing set (page G33)

article number	H mm	B mm	L mm	G kg
F				
RR 60-20F	60	200	500	1,60
RR 60-30F	60	300	500	2,00
RR 60-40F	60	400	500	2,40
RR 60-50F	60	500	500	2,90
RR 60-60F	60	600	500	3,30

article number	H mm	B mm	L mm	G kg
E				
RR 60-20E	60	200	500	1,40
RR 60-30E	60	300	500	1,80
RR 60-40E	60	400	500	2,20
RR 60-50E	60	500	500	2,60
RR 60-60E	60	600	500	3,00

accessories included:
2 x **KLR E** fixing set (page G33)

accessories optional:
VB connection plate (page B39, D28)

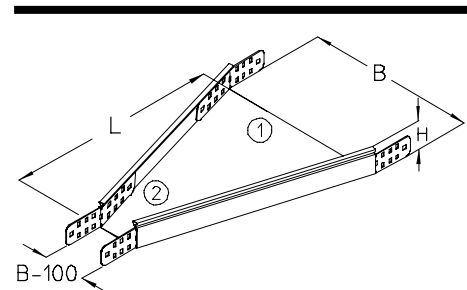
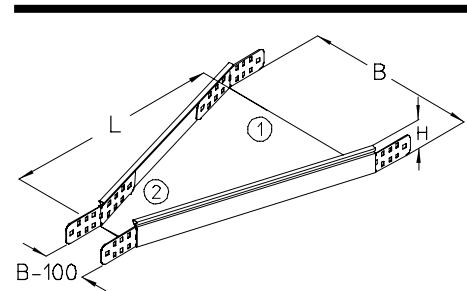
RR 85 cable tray reducer, height=85 mm

Please quote the design (left, centred, right) and the side width with your order.
For an application example, see the chapter assembly.

article number	H mm	B mm	L mm	G kg
S				
RR 85-20S	85	200	500	1,70
RR 85-30S	85	300	500	2,20
RR 85-40S	85	400	500	2,70
RR 85-50S	85	500	500	3,20
RR 85-60S	85	600	500	3,70

accessories included:
4 x **KLR** fixing set (page G33)

accessories optional:
VB connection plate (page B39, D28)



Cable trays

Fittings

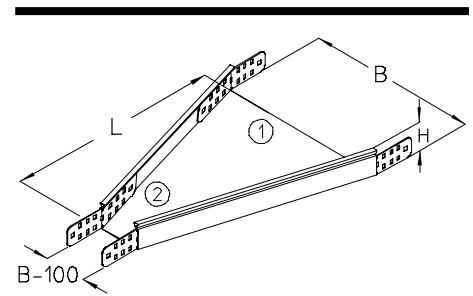
RR 85 cable tray reducer, height=85 mm

Please quote the design (left, centred, right) and the side width with your order.
For an application example, see the chapter assembly.

article number	H mm	B mm	L mm	G kg
F				
RR 85-20F	85	200	500	1,90
RR 85-30F	85	300	500	2,50
RR 85-40F	85	400	500	3,00
RR 85-50F	85	500	500	3,60
RR 85-60F	85	600	500	4,10

accessories included:
4 x **KLR E** fixing set (page G33)

accessories optional:
VB connection plate (page B39, D28)

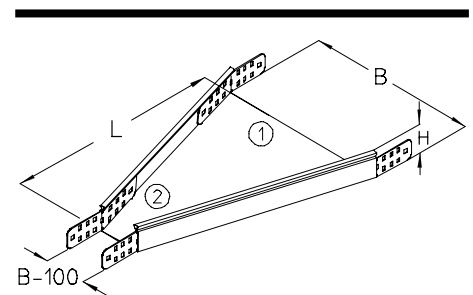


RR 110 cable tray reducer, height=110 mm

Please quote the design (left, centred, right) and the side width with your order. This article is also available made in stainless steel finish, material No. 1.4571 / 1.4404 (V4A).
For an application example, see the chapter assembly.

article number	H mm	B mm	L mm	G kg
S				
RR 110-20S	110	200	500	1,90
RR 110-30S	110	300	500	2,40
RR 110-40S	110	400	500	2,90
RR 110-50S	110	500	500	3,40
RR 110-60S	110	600	500	3,90

accessories included:
4 x **KLR** fixing set (page G33)



article number	H mm	B mm	L mm	G kg
F				
RR 110-20F	110	200	500	2,20
RR 110-30F	110	300	500	2,70
RR 110-40F	110	400	500	3,20
RR 110-50F	110	500	500	3,80
RR 110-60F	110	600	500	4,30

E				
RR 110-20E	110	200	500	2,00
RR 110-30E	110	300	500	2,50
RR 110-40E	110	400	500	2,80
RR 110-50E	110	500	500	3,40
RR 110-60E	110	600	500	3,80

accessories included:
4 x **KLR E** fixing set (page G33)

accessories optional:
VB connection plate (page B39, D28)

Cable trays

Accessories of cable trays

RAB 35 cable tray closing panel, height=35 mm

For an application example, see the chapter assembly.

article number	H mm	B mm	G kg
S			
RAB 35-10S	35	100	0,06
RAB 35-20S	35	200	0,09
RAB 35-30S	35	300	0,11

accessories included:

1 x **KLR** fixing set (page G33)

article number	H mm	B mm	G kg
F			
RAB 35-10F	35	100	0,02
RAB 35-20F	35	200	0,11
RAB 35-30F	35	300	0,14

accessories included:

1 x **KLR E** fixing set (page G33)

RAB 60 cable tray closing panel, height=60 mm

This article is also available made in stainless steel finish, material No. 1.4571 / 1.4404 (V4A).

For an application example, see the chapter assembly.

article number	H mm	B mm	G kg
S			
RAB 60-10S	60	100	0,15
RAB 60-20S	60	200	0,20
RAB 60-30S	60	300	0,25
RAB 60-40S	60	400	0,31
RAB 60-50S	60	500	0,36
RAB 60-60S	60	600	0,41

accessories included:

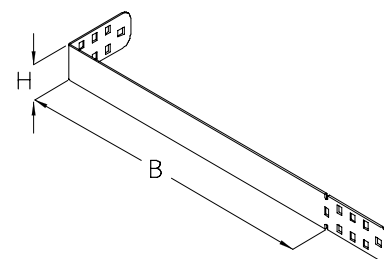
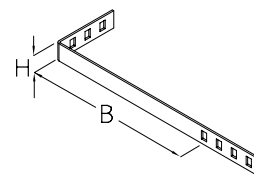
1 x **KLR** fixing set (page G33)

article number	H mm	B mm	G kg
F			
RAB 60-10F	60	100	0,21
RAB 60-20F	60	200	0,29
RAB 60-30F	60	300	0,34
RAB 60-40F	60	400	0,45
RAB 60-50F	60	500	0,53
RAB 60-60F	60	600	0,60

E			
RAB 60-10E	60	100	0,15
RAB 60-20E	60	200	0,20
RAB 60-30E	60	300	0,25
RAB 60-40E	60	400	0,31
RAB 60-50E	60	500	0,36
RAB 60-60E	60	600	0,41

accessories included:

1 x **KLR E** fixing set (page G33)



Cable trays

Accessories of cable trays

RAB 85 cable tray closing panel, height=85 mm

For an application example, see the chapter assembly.

article number	H mm	B mm	G kg
S			
RAB 85-10S	85	100	0,24
RAB 85-20S	85	200	0,32
RAB 85-30S	85	300	0,41
RAB 85-40S	85	400	0,49
RAB 85-50S	85	500	0,57
RAB 85-60S	85	600	0,65

accessories included:
2 x **KLR** fixing set (page G33)

article number	H mm	B mm	G kg
F			
RAB 85-10F	85	100	0,34
RAB 85-20F	85	200	0,46
RAB 85-30F	85	300	0,58
RAB 85-40F	85	400	0,70
RAB 85-50F	85	500	0,82
RAB 85-60F	85	600	0,94

accessories included:
2 x **KLR E** fixing set (page G33)

RAB 110 cable tray closing panel, height=110 mm

This article is also available made in stainless steel finish, material No. 1.4571 / 1.4404 (V4A).

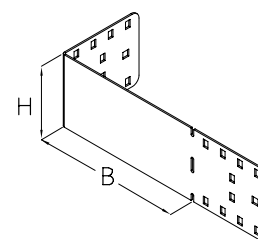
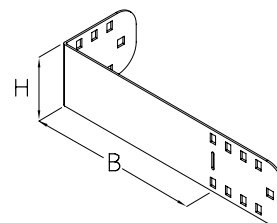
For an application example, see the chapter assembly.

article number	H mm	B mm	G kg
S			
RAB 110-10S	110	100	0,33
RAB 110-20S	110	200	0,44
RAB 110-30S	110	300	0,56
RAB 110-40S	110	400	0,67
RAB 110-50S	110	500	0,78
RAB 110-60S	110	600	0,89

accessories included:
2 x **KLR** fixing set (page G33)

article number	H mm	B mm	G kg
F			
RAB 110-10F	110	100	0,48
RAB 110-20F	110	200	0,65
RAB 110-30F	110	300	0,81
RAB 110-40F	110	400	0,98
RAB 110-50F	110	500	1,14
RAB 110-60F	110	600	1,31

accessories included:
2 x **KLR E** fixing set (page G33)



Cable trays

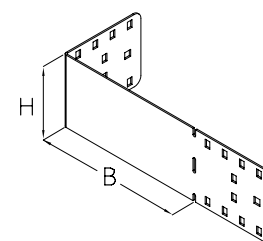
Accessories of cable trays

RAB 110 cable tray closing panel, height=110 mm

This article is also available made in stainless steel finish, material No. 1.4571 / 1.4404 (V4A).
For an application example, see the chapter assembly.

article number	H mm	B mm	G kg
E			
RAB 110-10E	110	100	0,33
RAB 110-20E	110	200	0,44
RAB 110-30E	110	300	0,55
RAB 110-40E	110	400	0,66
RAB 110-50E	110	500	0,77
RAB 110-60E	110	600	0,88

accessories included:
2 x **KLR E** fixing set (page G33)

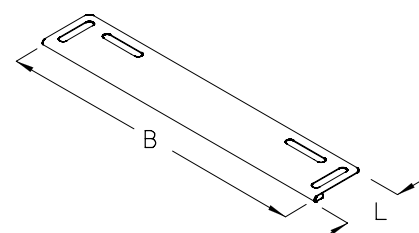


REB cable tray end-plate

For an application example, see the chapter assembly.

article number	B mm	L mm	G kg
S			
REB 05S	40	50	0,02

accessories included:
1 x **KLR** fixing set (page G33)



article number	B mm	L mm	G kg
S			
REB 10S	90	50	0,03
REB 20S	190	50	0,06
REB 30S	290	50	0,10
REB 40S	390	50	0,13
REB 50S	490	50	0,17
REB 60S	590	50	0,20

accessories included:
2 x **KLR** fixing set (page G33)

article number	B mm	L mm	G kg
F			
REB 05F	40	50	0,03

accessories included:
1 x **KLR E** fixing set (page G33)

article number	B mm	L mm	G kg
F			
REB 10F	90	50	0,03
REB 20F	190	50	0,06
REB 30F	290	50	0,10
REB 40F	390	50	0,13
REB 50F	490	50	0,17
REB 60F	590	50	0,20

accessories included:
2 x **KLR E** fixing set (page G33)

Cable trays

Accessories of cable trays

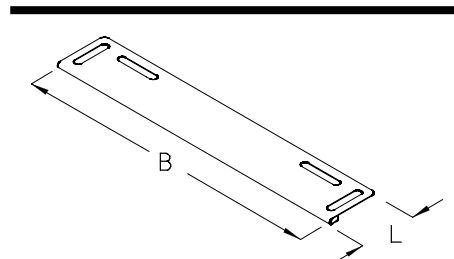
REB cable tray end-plate

For an application example, see the chapter assembly.

article number	B mm	L mm	G kg
E			
REB 10E	90	50	0,02
REB 20E	190	50	0,05
REB 30E	290	50	0,08
REB 40E	390	50	0,10
REB 50E	490	50	0,13
REB 60E	590	50	0,16

accessories included:

2 x **KLR E** fixing set (page G33)



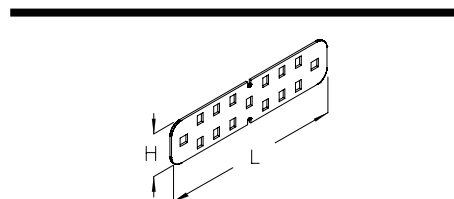
RGV 35 cable tray coupler, height=35 mm

For an application example, see the chapter assembly.

article number	H mm	L mm	G kg
S			
RGV 35S	20	150	0,04

accessories included:

1 x **KLR** fixing set (page G33)



article number	H mm	L mm	G kg
F			
RGV 35F	20	150	0,04

accessories included:

1 x **KLR E** fixing set (page G33)

RGV 60 cable tray coupler, height=60 mm

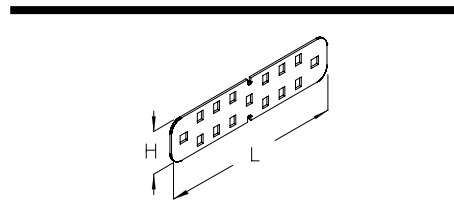
This article is also available made in stainless steel finish, material No. 1.4571 / 1.4404 (V4A).

For an application example, see the chapter assembly.

article number	H mm	L mm	G kg
S			
RGV 60S	45	190	0,08

accessories included:

1 x **KLR** fixing set (page G33)



article number	H mm	L mm	G kg
F			
RGV 60F	45	190	0,09

article number	H mm	L mm	G kg
E			
RGV 60E	45	190	0,08

accessories included:

1 x **KLR E** fixing set (page G33)

Cable trays

Accessories of cable trays

RGV 85 cable tray coupler, height=85 mm

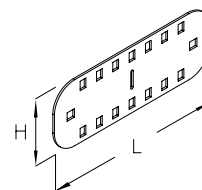
For an application example, see the chapter assembly.

article number	H mm	L mm	G kg
S			
RGV 85S	70	190	0,16

accessories included:
2 x **KLR** fixing set (page G33)

article number	H mm	L mm	G kg
F			
RGV 85F	70	190	0,17

accessories included:
2 x **KLR E** fixing set (page G33)



RGV 110 cable tray coupler, height=110 mm

This article is also available made in stainless steel finish, material No. 1.4571 / 1.4404 (V4A).

For an application example, see the chapter assembly.

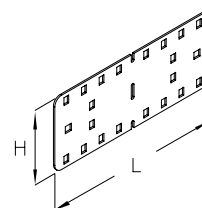
article number	H mm	L mm	G kg
S			
RGV 110S	95	230	0,34

accessories included:
2 x **KLR** fixing set (page G33)

article number	H mm	L mm	G kg
F			
RGV 110F	95	230	0,36

article number	H mm	L mm	G kg
E			
RGV 110E	95	230	0,27

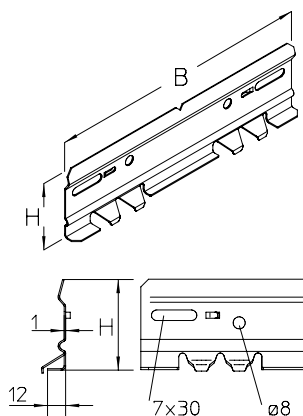
accessories included:
2 x **KLR E** fixing set (page G33)



RGVS cable tray snap coupler

The side connector is only suitable for the cable trays type RG 60 and R 60.

article number	H mm	B mm	G kg
S			
RGVS 60S	60	230	0,12



Cable trays

Accessories of cable trays

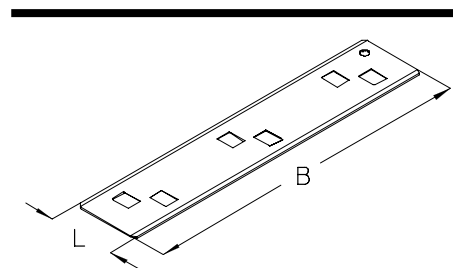
VB connection plate

This article is also available made in stainless steel finish, material No. 1.4571 / 1.4404 (V4A).
For an application example, see the chapter assembly.

article number	B mm	L mm	G kg
S			
VB 10S	54	70	0,04
VB 20S	155	70	0,11
VB 30S	255	70	0,18
VB 40S	355	70	0,27
VB 50S	455	70	0,32
VB 60S	555	70	0,38

F			
VB 10F	54	70	0,04
VB 20F	155	70	0,11
VB 30F	255	70	0,19
VB 40F	355	70	0,28
VB 50F	455	70	0,34
VB 60F	555	70	0,40

E			
VB 10E	54	70	0,04
VB 20E	155	70	0,11
VB 30E	255	70	0,18
VB 40E	355	70	0,27
VB 50E	455	70	0,32
VB 60E	555	70	0,38



RTR 35 cable tray barrier strip, height=35 mm

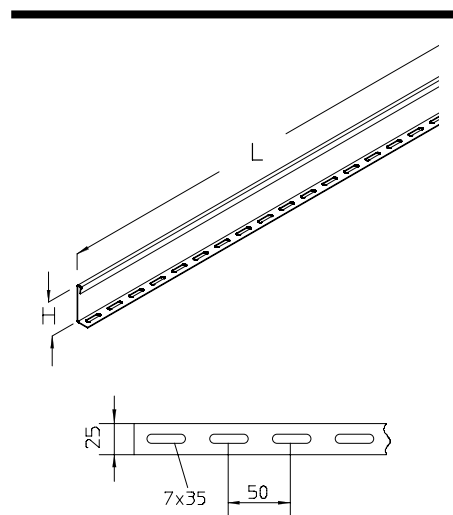
For an application example, see the chapter assembly.

article number	H mm	L mm	G kg
S			
RTR 35S	33	3000	1,50

accessories included:
3 x **KLR** fixing set (page G33)

article number	H mm	L mm	G kg
F			
RTR 35F	33	3000	1,60

accessories included:
3 x **KLR E** fixing set (page G33)



Cable trays

Accessories of cable trays

RTR 60 cable tray barrier strip, height=60 mm

This article is also available made in stainless steel finish, material No. 1.4571 / 1.4404 (V4A).
For an application example, see the chapter assembly.

article number	H mm	L mm	G kg
S			
RTR 60S	50	3000	2,10

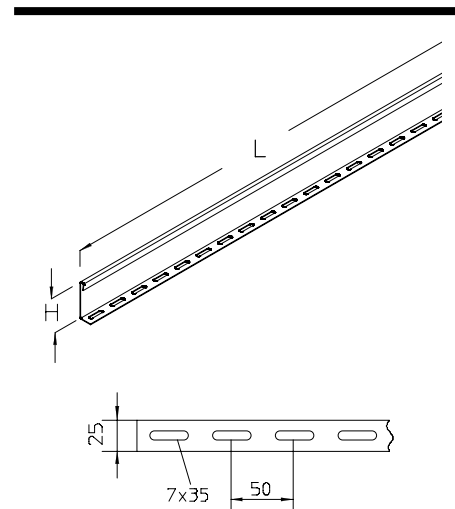
accessories included:
3 x **KLR** fixing set (page G33)

article number	H mm	L mm	G kg
F			
RTR 60F	50	3000	2,20

E			
RTR 60E	50	3000	2,10

E4			
RTR 60E4	50	3000	2,10

accessories included:
3 x **KLR E** fixing set (page G33)



RTR 85 cable tray barrier strip, height=85 mm

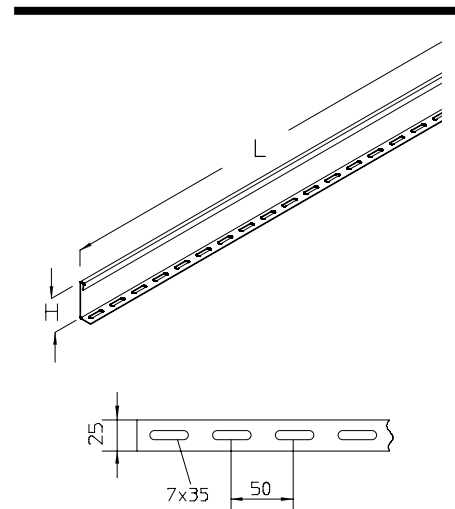
For an application example, see the chapter assembly.

article number	H mm	L mm	G kg
S			
RTR 85S	80	3000	2,70

accessories included:
3 x **KLR** fixing set (page G33)

article number	H mm	L mm	G kg
F			
RTR 85F	80	3000	2,90

accessories included:
3 x **KLR E** fixing set (page G33)



Cable trays

Accessories of cable trays

RTR 110 cable tray barrier strip, height=110 mm

This article is also available made in stainless steel finish, material No. 1.4571 / 1.4404 (V4A).
For an application example, see the chapter assembly.

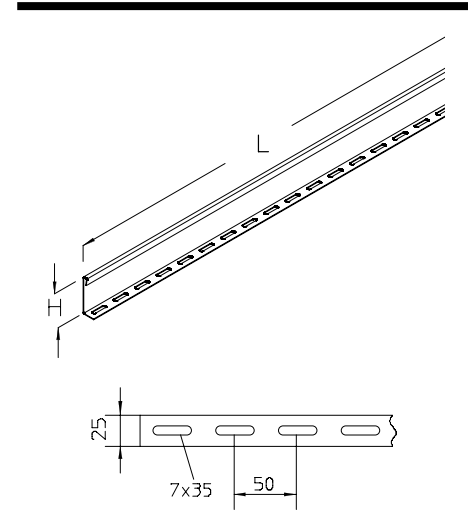
article number	H mm	L mm	G kg
S			
RTR 110S	100	3000	3,30

accessories included:
3 x **KLR** fixing set (page G33)

article number	H mm	L mm	G kg
F			
RTR 110F	100	3000	3,50

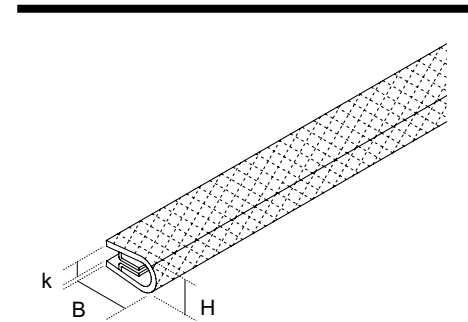
article number	H mm	L mm	G kg
E			
RTR 110E	100	3000	3,30

accessories included:
3 x **KLR E** fixing set (page G33)



KSB edge protection strip

article number	H mm	B mm	k mm	colour	G kg/m
PVC					
KSB	6,5	9,5	1 - 2	silver	0,06



MP-RG assembly plate

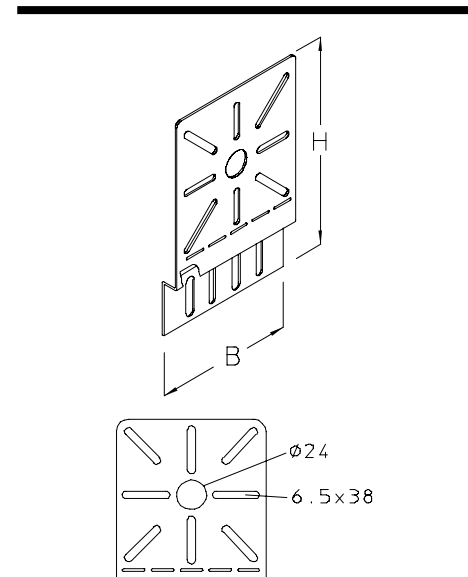
For an application example, see the chapter assembly.

article number	H mm	B mm	G kg
S			
MP-RG 60S	185	120	0,16

accessories included:
1 x **KLR** fixing set (page G33)

article number	H mm	B mm	G kg
F			
MP-RG 60F	185	120	0,17

accessories included:
1 x **KLR E** fixing set (page G33)



Cable trays

Accessories of cable trays

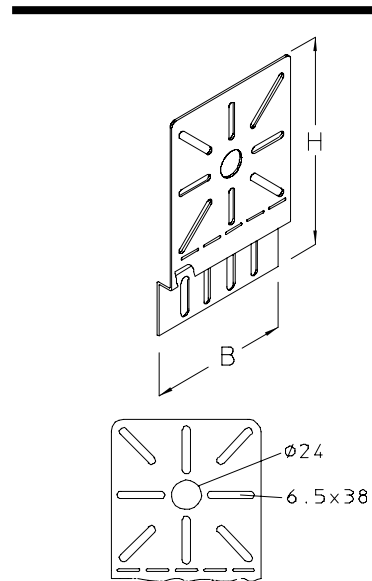
MP-RG assembly plate

For an application example, see the chapter assembly.

article number	H mm	B mm	G kg
E4			
MP-RG 60E4	185	120	0,16

accessories included:

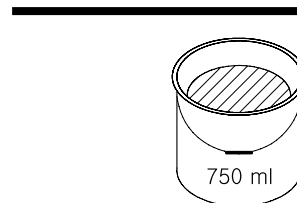
2 x SEM 6E4	hexagon-nut, DIN 934	(page G41)
2 x US 6x12E4	square washer, DIN 125	(page G40)
2 x FKS 6x16E4	slotted cylinder head screw, DIN 84	(page G36)



KZF cold zinc paint

For assembly instructions, see the chapter assembly.

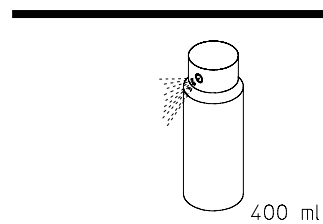
article number	I ml	G kg
KZF	750	1,93



KZS cold zinc spray

For assembly instructions, see the chapter assembly.

article number	I ml	G kg
KZS	400	0,40



Cable trays

Accessories of cable installation trays

RIV 60 cable tray coupler, height=60 mm

For an application example, see the chapter assembly.

article number	H mm	B mm	G kg
S			
RIV 60S	45	176	0,12

accessories included:
1 x **KLR** fixing set (page G33)

article number	H mm	B mm	G kg
F			
RIV 60F	45	176	0,12

accessories included:
1 x **KLR E** fixing set (page G33)

REB cable tray end-plate

For an application example, see the chapter assembly.

article number	B mm	L mm	G kg
S			
REB 05S	40	50	0,02

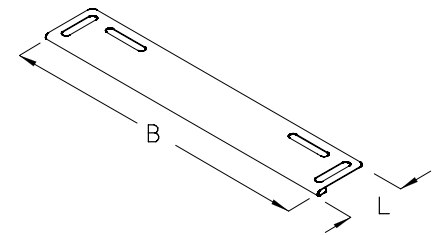
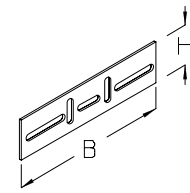
accessories included:
1 x **KLR** fixing set (page G33)

article number	B mm	L mm	G kg
S			
REB 10S	90	50	0,03
REB 20S	190	50	0,06
REB 30S	290	50	0,10
REB 40S	390	50	0,13
REB 50S	490	50	0,17
REB 60S	590	50	0,20

accessories included:
2 x **KLR** fixing set (page G33)

article number	B mm	L mm	G kg
F			
REB 05F	40	50	0,03

accessories included:
1 x **KLR E** fixing set (page G33)



Cable trays

Accessories of cable installation trays

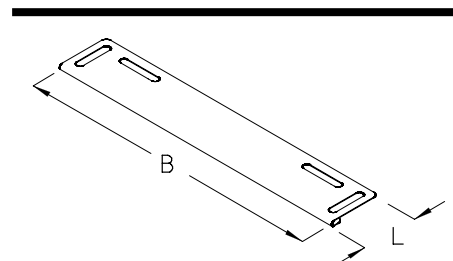
REB cable tray end-plate

For an application example, see the chapter assembly.

article number	B mm	L mm	G kg
F			
REB 10F	90	50	0,03
REB 20F	190	50	0,06
REB 30F	290	50	0,10
REB 40F	390	50	0,13
REB 50F	490	50	0,17
REB 60F	590	50	0,20

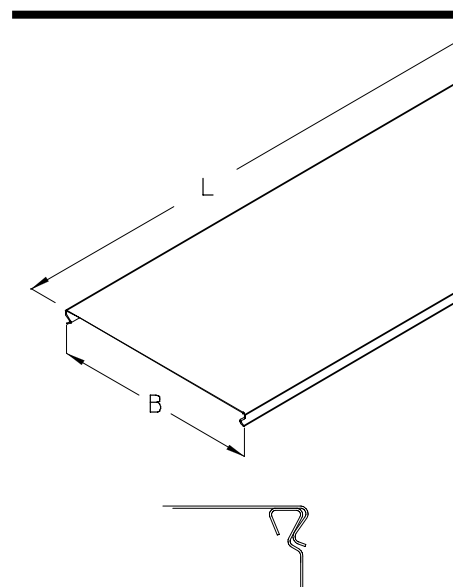
E			
REB 10E	90	50	0,02
REB 20E	190	50	0,05
REB 30E	290	50	0,08
REB 40E	390	50	0,10
REB 50E	490	50	0,13
REB 60E	590	50	0,16

accessories included:
2 x **KLR E** fixing set (page G33)



RID cable installation tray cover

article number	B mm	L mm	G kg
S			
RID 05S	50	3000	1,40
RID 10S	100	3000	2,31
RID 15S	150	3000	3,19
RID 20S	200	3000	4,08
RID 30S	300	3000	7,78
F			
RID 05F	50	3000	1,60
RID 10F	100	3000	2,60
RID 15F	150	3000	3,60
RID 20F	200	3000	4,60
RID 30F	300	3000	8,70

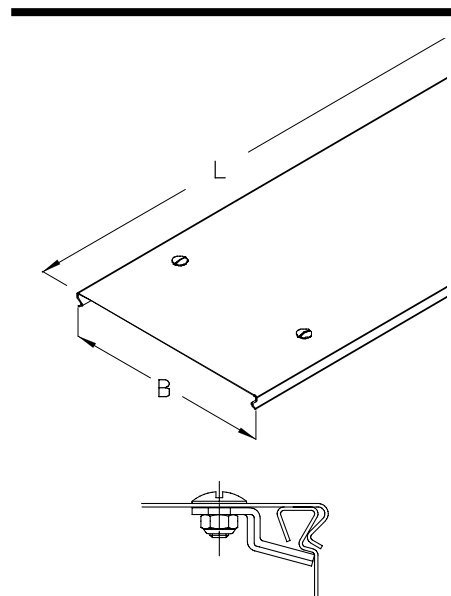


Cable trays

Accessories of cable installation trays

RIDR cable installation tray cover with bar lock

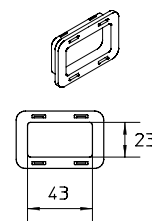
article number	B mm	L mm	G kg
S			
RIDR 05S	50	3000	1,43
RIDR 10S	100	3000	2,40
RIDR 15S	150	3000	3,28
RIDR 20S	200	3000	4,17
RIDR 30S	300	3000	7,89
F			
RIDR 05F	50	3000	1,64
RIDR 10F	100	3000	2,77
RIDR 15F	150	3000	3,70
RIDR 20F	200	3000	4,72
RIDR 30F	300	3000	8,81



KSR cable protection ring

For an application example, see the chapter assembly.

article number	G kg/100
PE	
KSR 50	0,6

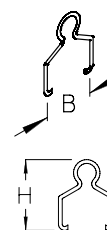


AHB suspension-bow

Central support for installation grooves.

For an application example, see the chapter assembly.

article number	H mm	B mm	P _{max} kN	G kg/100
S				
AHB 05S	75	50	0,7	2,1
AHB 10S	75	100	0,7	2,4



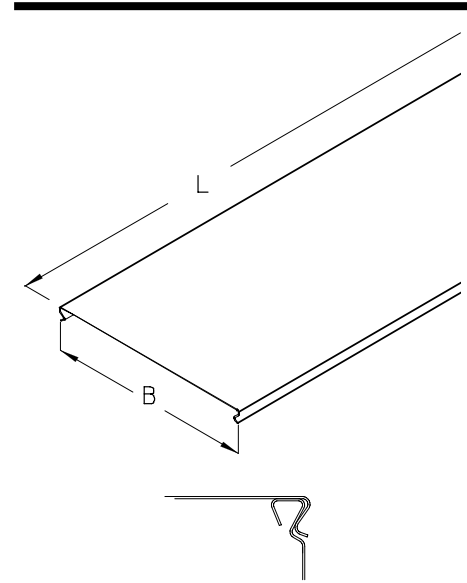
Cable trays

Cover

RD cable tray cover

This article is also available made in stainless steel finish, material No. 1.4571 / 1.4404 (V4A).

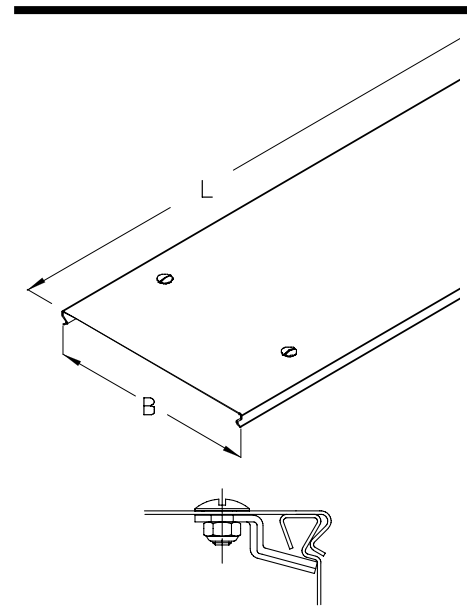
article number	B mm	L mm	G kg
S			
RD 10S	100	3000	2,40
RD 20S	200	3000	4,20
RD 30S	300	3000	7,90
RD 40S	400	3000	10,20
RD 50S	500	3000	15,70
RD 60S	600	3000	18,60
F			
RD 10F	100	3000	2,60
RD 20F	200	3000	4,60
RD 30F	300	3000	8,70
RD 40F	400	3000	11,30
RD 50F	500	3000	17,30
RD 60F	600	3000	20,50
E			
RD 10E	100	3000	2,50
RD 20E	200	3000	4,40
RD 30E	300	3000	7,80
RD 40E	400	3000	10,20
RD 50E	500	3000	15,00
RD 60E	600	3000	17,90



RDR cable tray cover with bar lock

Installation of covers in outdoor areas requires additional provisions against storm forces. Turning bolts are in no case sufficient as security provision. This article is also available made in stainless steel finish, material No. 1.4571 / 1.4404 (V4A).

article number	B mm	L mm	G kg
S			
RDR 10S	100	3000	2,30
RDR 20S	200	3000	4,10
RDR 30S	300	3000	7,80
RDR 40S	400	3000	10,10
RDR 50S	500	3000	15,60
RDR 60S	600	3000	18,50
F			
RDR 10F	100	3000	2,80
RDR 20F	200	3000	4,70
RDR 30F	300	3000	7,90
RDR 40F	400	3000	11,40
RDR 50F	500	3000	17,40
RDR 60F	600	3000	20,60
E			
RDR 10E	100	3000	2,60
RDR 20E	200	3000	4,50
RDR 30E	300	3000	7,90
RDR 40E	400	3000	10,30
RDR 50E	500	3000	15,20
RDR 60E	600	3000	18,00



Cable trays

Cover

RD-SW cable tray storm protection angle

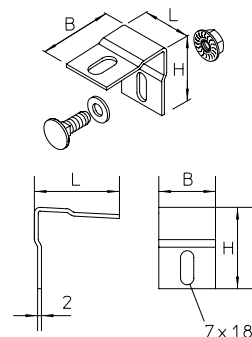
Storm protection angles, suitable for outdoor use. According to assembly instructions you should use at least 6 safety elements for each 3 meters cable path cover. This article is also available made in stainless steel finish, material No. 1.4571 / 1.4404 (V4A).

For an application example, see the chapter assembly.

article number	H mm	B mm	L mm	G kg
F				
RD-SW F	40	30	40	0,06
E				
RD-SW E	40	30	40	0,06

accessories included:

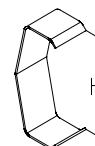
1 x FRSV 6x12E	round-head screw with short square	(page G35)
1 x SEMS 6E	hexagon nut, self-locking, DIN 6923	(page G41)
1 x UVS M6	captive washer	(page G40)



RDKL 60 cable tray cover clamp

Installation of covers in outdoor areas requires additional provisions against storm forces. Cover clamps are in no case sufficient as security provision. Gutter cover brackets suitable for use in buildings. According to assembly instructions you should use at least 6 safety elements for each 3 meters cable path cover.

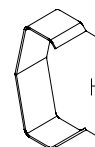
article number	H mm	G kg
E		
RDKL 60E	58	0,10



RDKL 110 cable tray cover clamp

Installation of covers in outdoor areas requires additional provisions against storm forces. Cover clamps are in no case sufficient as security provision. Gutter cover brackets suitable for use in buildings. According to assembly instructions you should use at least 6 safety elements for each 3 meters cable path cover.

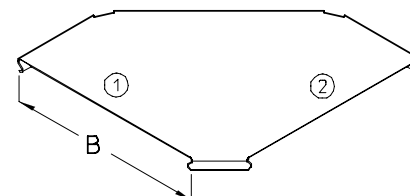
article number	H mm	G kg
E		
RDKL 110E	108	0,10



RBD cable tray bend cover

This article is also available made in stainless steel finish, material No. 1.4571 / 1.4404 (V4A).

article number	B mm	G kg
S		
RBD 10S	100	0,20
RBD 20S	200	0,40
RBD 30S	300	1,00
RBD 40S	400	1,60
RBD 50S	500	2,90
RBD 60S	600	4,00



Cable trays

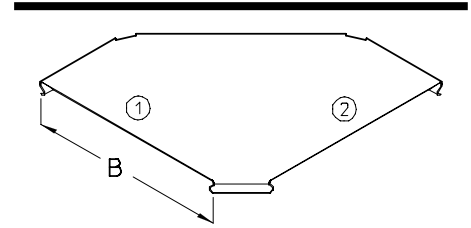
Cover

RBD cable tray bend cover

This article is also available made in stainless steel finish, material No. 1.4571 / 1.4404 (V4A).

article number	B mm	G kg
F		
RBD 10F	100	0,20
RBD 20F	200	0,40
RBD 30F	300	1,00
RBD 40F	400	1,70
RBD 50F	500	3,10
RBD 60F	600	4,20

E		
RBD 10E	100	0,20
RBD 20E	200	0,40
RBD 30E	300	1,00
RBD 40E	400	1,60
RBD 50E	500	2,90
RBD 60E	600	4,00



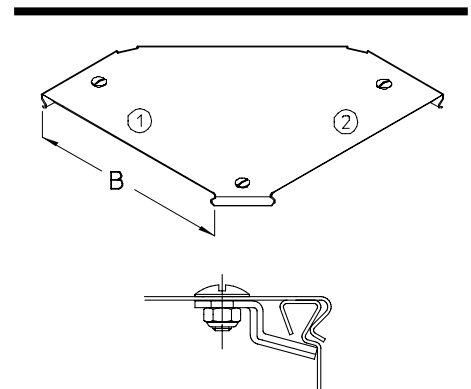
RBDR cable tray bend cover with bar lock

This article is also available made in stainless steel finish, material No. 1.4571 / 1.4404 (V4A).

article number	B mm	G kg
S		
RBDR 10S	100	0,20
RBDR 20S	200	0,40
RBDR 30S	300	1,00
RBDR 40S	400	1,60
RBDR 50S	500	2,80
RBDR 60S	600	3,90

F		
RBDR 10F	100	0,20
RBDR 20F	200	0,50
RBDR 30F	300	1,10
RBDR 40F	400	1,70
RBDR 50F	500	3,10
RBDR 60F	600	4,20

E		
RBDR 10E	100	0,20
RBDR 20E	200	0,50
RBDR 30E	300	1,00
RBDR 40E	400	1,60
RBDR 50E	500	2,70
RBDR 60E	600	3,70



Cable trays

Cover

RAED cable tray attachment corner cover

article number	B mm	L mm	G kg
S			
RAED S	80	50	0,10

accessories included:

1 x UVS M6	captive washer	(page G40)
1 x FRSV 6x12	round-head screw with short square	(page G34)
1 x SEMS 6	hexagon nut, self-locking, DIN 6923	(page G41)

article number	B mm	L mm	G kg
F			
RAED F	80	50	0,10

article number	B mm	L mm	G kg
E			
RAED E	80	50	0,10

accessories included:

1 x FRSV 6x12E	round-head screw with short square	(page G35)
1 x SEMS 6E	hexagon nut, self-locking, DIN 6923	(page G41)
1 x UVS M6	captive washer	(page G40)

RBD45 cable tray bend cover

This article is also available made in stainless steel finish, material No. 1.4571 / 1.4404 (V4A).

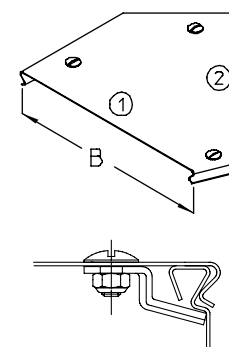
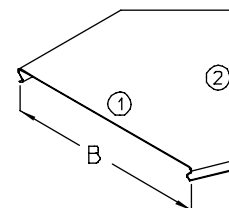
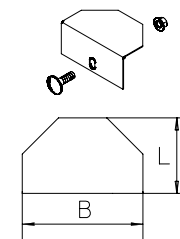
article number	B mm	G kg
S		
RBD45 10S	100	0,10
RBD45 20S	200	0,20
RBD45 30S	300	0,60
RBD45 40S	400	0,90
RBD45 50S	500	1,60
RBD45 60S	600	2,10

article number	B mm	G kg
F		
RBD45 10F	100	0,10
RBD45 20F	200	0,30
RBD45 30F	300	0,60
RBD45 40F	400	1,00
RBD45 50F	500	1,80
RBD45 60F	600	2,40

RBDR45 cable tray bend cover with bar lock

This article is also available made in stainless steel finish, material No. 1.4571 / 1.4404 (V4A).

article number	B mm	G kg
S		
RBDR45 10S	100	0,20
RBDR45 20S	200	0,30
RBDR45 30S	300	0,60
RBDR45 40S	400	1,00
RBDR45 50S	500	1,70
RBDR45 60S	600	2,20



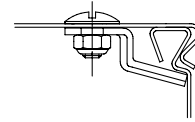
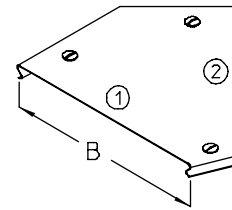
Cable trays

Cover

RBDR45 cable tray bend cover with bar lock

This article is also available made in stainless steel finish, material No. 1.4571 / 1.4404 (V4A).

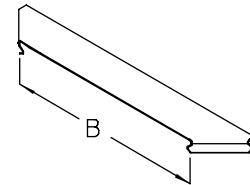
article number	B mm	G kg
F		
RBDR45 10F	100	0,20
RBDR45 20F	200	0,40
RBDR45 30F	300	0,70
RBDR45 40F	400	1,10
RBDR45 50F	500	1,80
RBDR45 60F	600	2,50



RAAD cable tray attachment branch-piece cover

This article is also available made in stainless steel finish, material No. 1.4571 / 1.4404 (V4A).

article number	B mm	G kg
S		
RAAD 10S	100	0,07
RAAD 20S	200	0,11
RAAD 30S	300	0,19
RAAD 40S	400	0,23
RAAD 50S	500	0,35
RAAD 60S	600	0,41



F		
RAAD 10F	100	0,08
RAAD 20F	200	0,12
RAAD 30F	300	0,20
RAAD 40F	400	0,25
RAAD 50F	500	0,37
RAAD 60F	600	0,43

E		
RAAD 10E	100	0,07
RAAD 20E	200	0,11
RAAD 30E	300	0,19
RAAD 40E	400	0,24
RAAD 50E	500	0,35
RAAD 60E	600	0,41

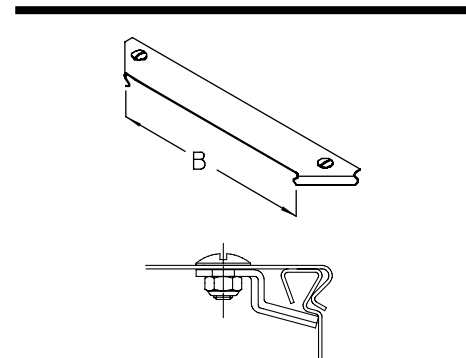
Cable trays

Cover

RAADR cable tray attachment branch-piece cover with bar lock

This article is also available made in stainless steel finish, material No. 1.4571 / 1.4404 (V4A).

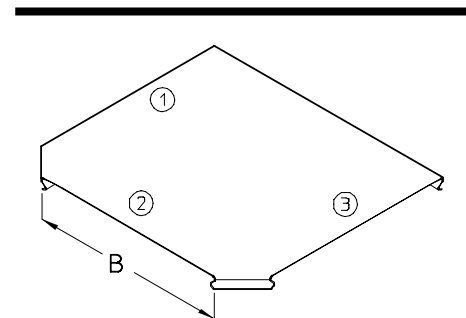
article number	B mm	G kg
S		
RAADR 10S	100	0,11
RAADR 20S	200	0,15
RAADR 30S	300	0,23
RAADR 40S	400	0,27
RAADR 50S	500	0,39
RAADR 60S	600	0,45
F		
RAADR 10F	100	0,12
RAADR 20F	200	0,16
RAADR 30F	300	0,24
RAADR 40F	400	0,29
RAADR 50F	500	0,41
RAADR 60F	600	0,47
E		
RAADR 10E	100	0,11
RAADR 20E	200	0,15
RAADR 30E	300	0,23
RAADR 40E	400	0,28
RAADR 50E	500	0,39
RAADR 60E	600	0,45



RAD cable tray branch-piece cover

This article is also available made in stainless steel finish, material No. 1.4571 / 1.4404 (V4A).

article number	B mm	G kg
S		
RAD 10S	100	0,20
RAD 20S	200	0,40
RAD 30S	300	1,10
RAD 40S	400	1,80
RAD 50S	500	3,30
RAD 60S	600	4,60
F		
RAD 10F	100	0,20
RAD 20F	200	0,40
RAD 30F	300	1,10
RAD 40F	400	1,90
RAD 50F	500	3,50
RAD 60F	600	4,90
E		
RAD 10E	100	0,20
RAD 20E	200	0,40
RAD 30E	300	1,10
RAD 40E	400	1,80
RAD 50E	500	3,30
RAD 60E	600	4,60



Cable trays

Cover

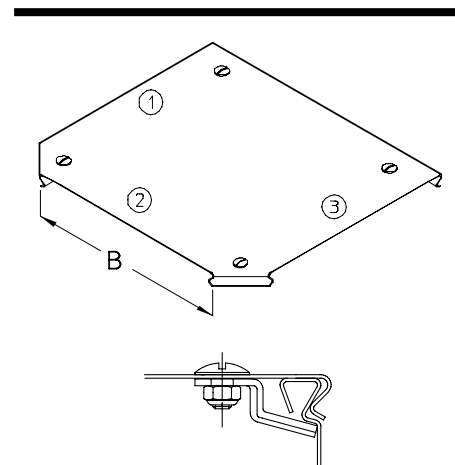
RADR cable tray branch-piece cover with bar lock

This article is also available made in stainless steel finish, material No. 1.4571 / 1.4404 (V4A).

article number	B mm	G kg
S		
RADR 10S	100	0,30
RADR 20S	200	0,60
RADR 30S	300	1,30
RADR 40S	400	2,00
RADR 50S	500	3,60
RADR 60S	600	4,90

F		
RADR 10F	100	0,20
RADR 20F	200	0,60
RADR 30F	300	1,40
RADR 40F	400	2,20
RADR 50F	500	3,90
RADR 60F	600	5,40

E		
RADR 10E	100	0,30
RADR 20E	200	0,60
RADR 30E	300	1,30
RADR 40E	400	2,00
RADR 50E	500	3,50
RADR 60E	600	4,70



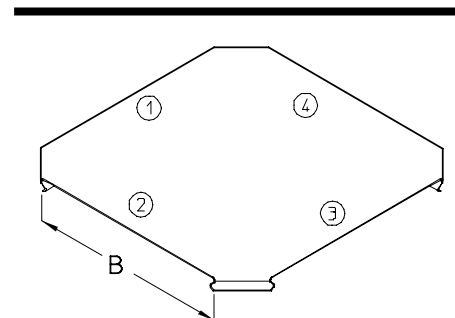
RKD cable tray cross-piece cover

This article is also available made in stainless steel finish, material No. 1.4571 / 1.4404 (V4A).

article number	B mm	G kg
S		
RKD 10S	100	0,20
RKD 20S	200	0,50
RKD 30S	300	1,20
RKD 40S	400	2,00
RKD 50S	500	3,60
RKD 60S	600	4,90

F		
RKD 10F	100	0,20
RKD 20F	200	0,50
RKD 30F	300	1,20
RKD 40F	400	2,10
RKD 50F	500	3,80
RKD 60F	600	5,20

E		
RKD 10E	100	0,20
RKD 20E	200	0,50
RKD 30E	300	1,20
RKD 40E	400	2,00
RKD 50E	500	3,60
RKD 60E	600	4,90



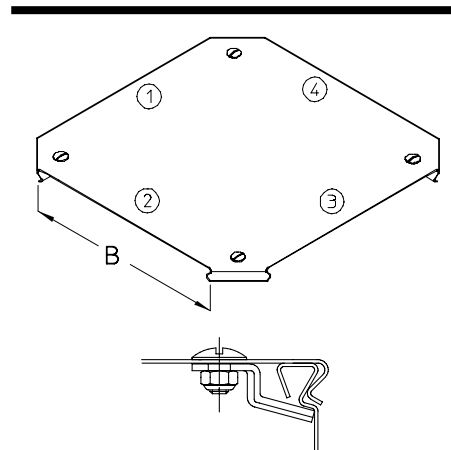
Cable trays

Cover

RKDR cable tray cross-piece cover with bar lock

This article is also available made in stainless steel finish, material No. 1.4571 / 1.4404 (V4A).

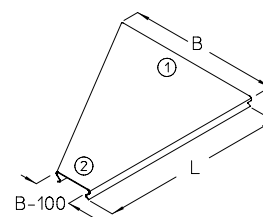
article number	B mm	G kg
S		
RKDR 10S	100	0,30
RKDR 20S	200	0,70
RKDR 30S	300	1,40
RKDR 40S	400	2,20
RKDR 50S	500	3,80
RKDR 60S	600	5,10
F		
RKDR 10F	100	0,40
RKDR 20F	200	0,70
RKDR 30F	300	1,60
RKDR 40F	400	2,40
RKDR 50F	500	4,20
RKDR 60F	600	5,50
E		
RKDR 10E	100	0,40
RKDR 20E	200	0,70
RKDR 30E	300	1,40
RKDR 40E	400	2,20
RKDR 50E	500	3,70
RKDR 60E	600	5,00



RRD cable tray reducer cover

Please quote the design (left, centred, right) and the side width with your order. This article is also available made in stainless steel finish, material No. 1.4571 / 1.4404 (V4A).

article number	B mm	L mm	G kg
S			
RRD 20S	200	500	0,50
RRD 30S	300	500	1,20
RRD 40S	400	500	1,50
RRD 50S	500	500	2,40
RRD 60S	600	500	2,90
F			
RRD 20F	200	500	0,50
RRD 30F	300	500	1,20
RRD 40F	400	500	1,60
RRD 50F	500	500	2,50
RRD 60F	600	500	3,10
E			
RRD 20E	200	500	0,50
RRD 30E	300	500	1,20
RRD 40E	400	500	1,50
RRD 50E	500	500	2,40
RRD 60E	600	500	2,90



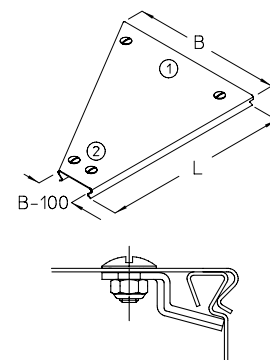
Cable trays

Cover

RRDR cable tray reducer cover with bar lock

Please quote the design (left, centred, right) and the side width with your order. This article is also available made in stainless steel finish, material No. 1.4571 / 1.4404 (V4A).

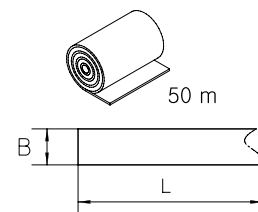
article number	B mm	L mm	G kg
S			
RRDR 20S	200	500	0,60
RRDR 30S	300	500	1,20
RRDR 40S	400	500	1,60
RRDR 50S	500	500	2,50
RRDR 60S	600	500	2,90
F			
RRDR 20F	200	500	0,70
RRDR 30F	300	500	1,30
RRDR 40F	400	500	1,70
RRDR 50F	500	500	2,70
RRDR 60F	600	500	3,20
E			
RRDR 20E	200	500	0,60
RRDR 30E	300	500	1,20
RRDR 40E	400	500	1,60
RRDR 50E	500	500	2,50
RRDR 60E	600	500	3,20



MKB adhesive metal strip

For an application example, see the chapter assembly.

article number	B mm	L mm	G kg/m
MKB	50	50000	0,12





B

